

GIANT

Performance Under Pressure

2024 Catalog



PUMPS ■ ACCESSORIES ■ CUSTOM UNITS ■ TOWELS

Our Vision, Mission & Core Values

We would like to share our vision, mission and core values with you.

Our Vision

Giant Industries develops professionals to their full potential by working as a team and partnering with our customers and suppliers to provide superior solutions.

Our Mission

Giant will create mutually beneficial partnerships with employees, customers and suppliers. In addition, we will supply high pressure pumps, accessories, towels as well as customized solutions. Finally, Giant will positively contribute to our community and the environment.

Our Core Values

Ethical – Doing the right thing

Trustworthy – Honest and Reliable

Accountable – Responsible for our actions (corporately and individually)

Respectful – Courteous interaction with others

Teamwork – Working together towards a common cause

Communication – Exchange of pertinent information

Perseverance – Determination to achieve our Mission

Motivated – Driven to accomplish our goals

Loyalty – Value our relationships with employees, customers and suppliers

Quality of Life – Enjoy our time

Giant Industries Celebrates

50 Years in Business

S e r v i n g I n d u s t r y s i n c e 1 9 7 2



In 1972, Ray Simon founded the Giant Towel Company. These towels were sold throughout North America to car wash OEM's and distributors. In the mid-1970's, Ray became the North American distributor for the German pump manufacturer Speck Kolbenpumpen Fabrik. Speck provided a unique line of pumps and accessories that gained quick acceptance for use by OEM's and distributors in the pressure washer, car wash and sewer cleaning markets. The high quality German pump products became popular in many industrial applications as well.

To complement the German-made pumps and accessories, and to address some unique requirements for pumps and accessories in the North American market, Giant started to build its own line of accessories, including shut-off guns, accumulators and unloaders. As Giant's products gained acceptance and the company expanded its product offerings, manufacturing requirements increased and the company acquired new facilities.

In the 1980's, Giant began to provide pump and motor units for the pressure washer market. At the same time, Giant started to make more axial pumps in Toledo, which required further expansion and another facility. This current facility has allowed Giant to bring in machining centers and production lines to meet market demands. At our current location, Giant manufactures axial and plunger pumps, pump systems and various towel products. As we continued to grow our manufacturing base, Giant was asked to supply more than just pumps, so it started to produce customer units and pump systems for a variety of applications. These custom units help our customers concentrate on what makes them profitable. With a gear end capable of handling 1500 HP, the Kamat line of German pumps and accessories allows Giant to provide pumps and pump systems with a volume exceeding 1200 GPM and pressures in excess of 50,000 PSI.

Part of Giant's mission is to create mutually beneficial partnerships. These relationships are at the heart of everything we do. However, they are not possible without the dedication of our employees, customers, suppliers and friends. We would like to thank all of those who work with us to make our success possible. We look forward to working with you in 2024 and beyond.



Courtesy of The Blade



Performance Under Pressure

Giant Industries, Inc.
900 N. Westwood Ave.
Toledo, OH 43607
(419) 531-4600 - Phone
(419) 531-6836 - Fax
www.giantpumps.com

TABLE OF CONTENTS

	Page
Giant Pumps	
Pump Quick Reference Chart.....	4-5
Towels.....	6
Consumer Pumps (GXR, GX2525)	8-9
P200 Series	10-13
P300 Series	14-17
P400 Series	18-29
P46, P47, P49	30
P57	31
P54, P58, P59	32
P55, P56.....	33
SP100W, SP200W, SP351W	35
MP Series	36-37
P500 Series	38-40
LP Series	42-54
GP Series	56-81
Corrosion Resistant Pumps.....	83-85
High Temperature Pumps.....	86-87
CO ₂ Pumps	88
Machine Tool Pumps	89
Bentonite Pumps	90
Pentane Pumps.....	91
Accessories	
Shut-Off Guns, Gun Assemblies.....	92-95
Lances, Handles.....	96-97
Rotating Nozzles	98-102
Standard Rotating Nozzles	
Oscillating Nozzles	
Hydroexcavating Nozzle	
Sewer Cleaning Nozzles	
Area Cleaner	
Turbo Nozzle Accessories	
Unloaders	103-107
Regulators	108-112
Flow Actuated Unloaders.....	113
Pump Savers & Safety Devices.....	114-119
Accumulators	
Pop-Off Valves/Relief Valves	
Filter	
Pulsator Valves	
Electric Clutch	
Oil	
Foot Valve	
Thermal Relief Valves	
Pressure Switches	
Injectors	
Pressure Gauges	
Kamat Pumps	121-131
Kamat Accessories	132-152
Technical Pages	153-155
Hose Friction Loss	
Optional Pump Construction,	
Calculations	
Duty Cycle	
Nozzle Chart	

2022 Giant Pump Quick Reference Chart

Base Pumps Only - For Specialty Applications Refer to Table of Contents
(Arranged by Flow - Gallons per Minute)

Pump Model	Flow (GPM)	Pressure (PSI)	Speed (RPM)	Page #
P205	0.5	2500	1750	12
P206	0.8	2500	1750	12
P48	0.8	3000	1420	30
P209	0.9	2000	1750	12
P207	0.9	2500	1750	12
P208	1.0	2500	1750	12
P230	1.1	2500	1750	12
P47	1.2	3000	1420	30
P57	1.3	5000	1420	31
P209	1.5	2500	1750	12
P226	1.5	3000	1750	12
P228	1.8	2000	1750	12
P217	1.8	2000	1750	12
P210	1.8	2500	1750	12
P227	2.1	2500	1750	12
P211	2.1	2500	1750	12
P221	2.3	2500	1750	12
GXR Series	2.4	2400	3450	8
GX Series	2.5	2500	3450	9
P49	2.7	2200	1420	30
P327	2.9	3500	3450	16
P223	3.0	3000	3450	12
P414	3.1	10,150	1450	18
P480	3.2	7250	1450	18
LP1000	3.4	15,000	1000	42
P218	3.4	2500	1750	12
P317	3.5	3350	1750	16
P323	3.5	3685	1750	16
P340	3.7	4000	1750	16
P321	3.8	3500	3450	16
P314	3.8	4000	3450	16
P460	3.8	7250	1450	18
P46W	3.9	2200	1420	30
P461	3.9	7250	1750	19
P54W	4.0	4060	1450	32
P328	4.1	3500	3450	16
P329	4.1	4000	3450	16
P219	4.2	2500	1750	12
LP462	4.6	7250	1750	19

Pump Model	Flow (GPM)	Pressure (PSI)	Speed (RPM)	Page #
LP800	4.6	11,600	1000	42
P220	4.7	2500	1750	12
P316	4.7	2750	1750	16
P322	4.7	3000	1750	16
P318	4.8	2000	1450	16
P324	4.8	2200	1450	16
P319	4.8	2750	3450	16
P332	4.8	3000	1450	16
P325	4.8	3045	3450	16
GP5114	4.8	17,400	1000	56
P55W	4.9	2320	1420	33
P58W	5.0	3500	1450	32
P485	5.3	7250	1450	20
P334	5.5	2000	1450	16
P455B	5.5	4350	1450	22
P450	5.5	5100	1450	22
GP5116	5.5	15,000	850	56
P456B	5.8	5100	1725	22
P451	5.8	5100	1725	22
LP900	6.0	8700	1000	42
P56W	6.1	1900	1420	33
P465	6.3	5800	1450	20
P330	6.5	1000	3450	16
P435	6.6	3625	1450	22
SP351W	6.7	3200	1420	35
P518	7.4	7250	1450	38
P59W	7.5	1900	1450	32
LP700	7.9	7250	1000	43
LP750	7.9	7250	1000	43
P423	8.2	2900	1450	24
MP4120	8.9	3625	1450	36
SP200W	9.6	2175	1420	35
LP460	9.8	6000	1000	45
LP600	9.8	6000	1000	44
P422	9.9	3000	1450	24
GP7122	9.9	10,000	750	64
GP7522	9.9	10,150	750	68
LP605	10.6	6090	1100	46
GP5120	10.6	8700	1000	57

2022 Giant Pump Quick Reference Chart

Base Pumps Only - For Specialty Applications Refer to Table of Contents
(Arranged by Flow - Gallons per Minute)

Pump Model	Flow (GPM)	Pressure (PSI)	Speed (RPM)	Page #
P425	10.7	2465	1450	24
SP100W	11.2	1885	1420	35
GP5122	11.9	7250	930	57
LP470	12.2	4640	1000	45
GP7622	12.7	15,000	800	70
GP7124A-4000	12.8	7400	750	64
P420A	12.8	2175	1450	24
MP4124	12.8	3000	1450	36
GP6124	12.8	6090	800	62
GP5124	13.2	5800	850	57
MP4135	13.5	1885	1100	36
LP301A	14.2	4000	1000	47
LP400	15.1	3600	1000	50
MP4130	15.4	2000	1100	36
P490	15.7	2000	1450	26
LP305	15.9	4060	1100	46
MP4126	17.9	1600	1100	36
GP7128	17.9	5800	750	65
GP6128	18.0	4350	800	62
P470	18.4	2000	1450	26
LP200	19.0	2900	1000	51
LP450	19.7	2600	1000	50
GP5128	20.6	4060	1000	58
LP350	22.6	2300	1000	50
P533	22.7	2175	1450	39
GP7132	23.4	4350	750	65
GP6132	23.5	3045	800	63
P532	24.4	2175	1450	39
LP255	25.7	2175	1000	54
LP250	26.0	2200	1000	51
P536	26.4	1740	1450	39
GP5132	27.7	2900	1000	58
GP7136	28.3	3625	750	65
GP8035/8135	29.1	7250	580	74/75
LP121A	32.5	1740	1000	51
GP5136	33.8	2320	910	58
LP122A	35.4	1300	800	54
LP123	35.4	1300	800	54
P540	35.4	1450	1450	39

Pump Model	Flow (GPM)	Pressure (PSI)	Speed (RPM)	Page #
P541	35.4	1450	1450	40
GP6140	36.7	2175	800	63
GP8040/8140	39.6	5500	580	74/75
GP7142	38.4	2610	700	67
GP5142	40.4	1885	800	58
GP5145	43.5	1450	750	58
GP6145	46.5	1740	800	63
GP7145	47.5	3000	750	67
GP8045/8145	48.8	4350	580	77/79
GP7150	54.4	1900	700	67
GP7645	55.5	3000	800	71
GP8048/8148	56.3	3770	580	77/79
GP7155	65.8	1500	700	67
GP7255A	65.8	1500	700	67
GP7650	69.7	2540	800	71
GP8055/8155	75.3	3000	580	77/79
GP7655	84.5	2000	800	71
GP8060/8160	90.0	2465	580	77/79
GP8065/8165	105.7	2000	580	77/79
GP8076/8176	132.0	1500	520	77/79

KAMAT PUMPS				
K100A	1.8*	29,000*	1000	121
K4500-3G	61.3*	43,511*	650	122
K8000-3G	74.8*	50,764*	530	123
K9000-3G	74.8*	45,543*	530	124
K11000-3G	119.9*	38,653*	435	125
K18000-3G	137.9*	50,764*	500	126
K25000-3G	303.3*	46,195*	450	127
K45000-3G	345.8*	50,764*	440	128
K55000-5G	505.4*	50,764*	450	129
K100000-5G	919.9*	50,764*	440	130
K150000-5G	1235.5*	50,764*	320	131

*Maximum flow and pressure given. **Given flows and pressures can not be combined.** Please refer to product page for possible flow and pressure combinations.

Aqua Towel

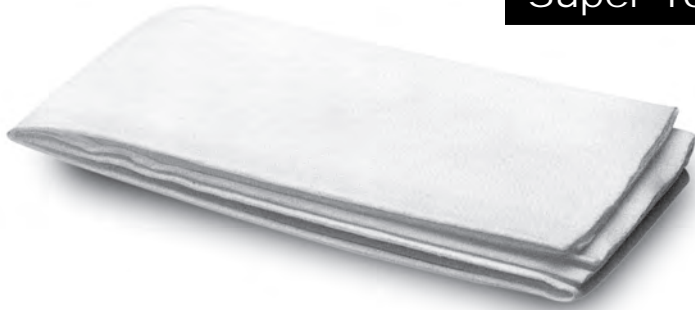
Strong enough to hold up to heavy wiping.
Long lasting, highly absorbent, lint free.

Product #T50BB (18" x 27")
Packed 180 per case
Shipping weight: 711 lbs.
70 Boxes per Pallet

Product #T25BB (18" x 17.5")
(Wrapped Towel/Lemon Scented)
Packed 360 per case
Shipping weight: 495 lbs.
36 Boxes per Pallet



Super Towel



Luxurious thickness,
full-bodied towel.

The Giant of all towels.

Product #T2000S (19" x 27")
Packed 180 per case
Shipping weight: 404 lbs.
36 Boxes per Pallet

Moistwipe

One step pre-moistened cloth
like towel, dries without streaking,
Lemon fresh scent.

Product #T-3000 (12" x 11.5")
(Wrapped Towel/Lemon Scented)
Packed 180 per case
Shipping weight: 1025 lbs.
96 Boxes per Pallet



T5000

Complete car care package.

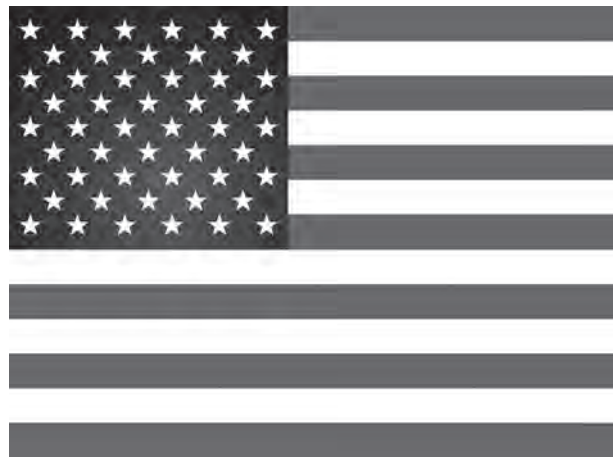
Product #T5000 (12" x 11.5")
(Wrapped Towel/Lemon Scented)
Packed 100 per case
Shipping weight: 14 lbs.
36 Boxes per Pallet



Contact your local Giant distributor for current pricing.

COMMERCIAL PUMPS

(pages 8-17)



GXR Series

List Price \$320.00

GXR Vertical or Horizontal Pump with Regulator Includes Siphon Injector, Thermal Relief Valve & Engine Mounting Accessories



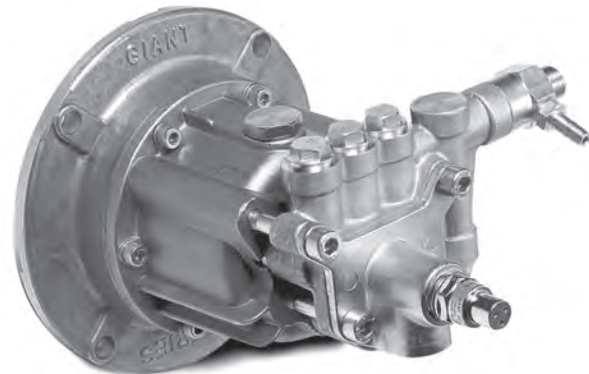
	U.S.	(Metric)
--	------	----------

GXR2224

Flow	2.2 GPM.....	(8.3 LPM)
Pressure	2400 PSI.....	(165 Bar)
Speed	3450 RPM	

GXR2424

Flow	2.4 GPM.....	(9.0 LPM)
Pressure	2400 PSI.....	(165 Bar)
Speed	3450 RPM	



Common Specifications & Materials

	U.S.	(Metric)
Max Inlet Temp	80 °F.....	(27 °C)
Weight	9 lbs.....	(4.1 kg)
Inlet Port	1/2" NPT	
Discharge Port.....	3/8" NPT	

Materials Used

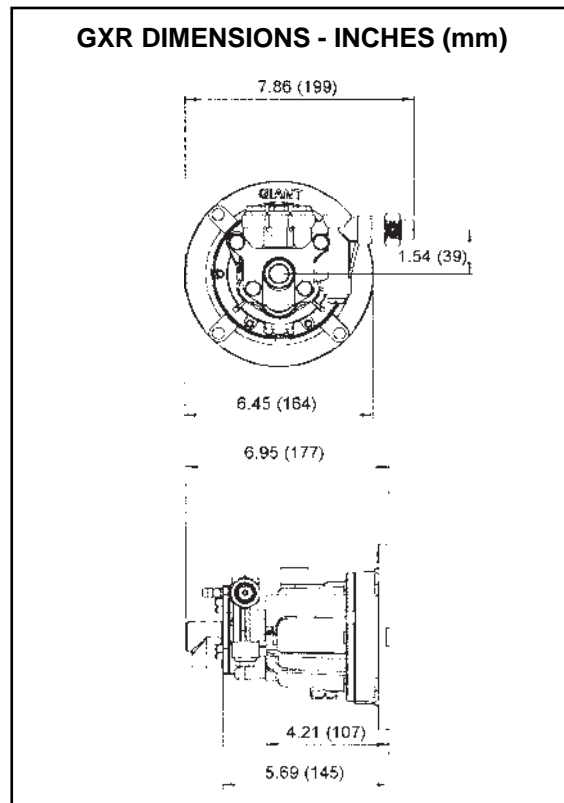
Manifold	Brass
Plunger	Stainless Steel
Valves	Polyamide
Seals.....	Nitrile with fabric reinforcing
Crankcase	Aluminum

Repair Kits

Kit	Part Number	List Price
Plunger Packing Kit	09465	\$33.10
Valve Kit	09466	\$12.99
Oil Seal Kit	09468	\$8.53
Regulator Repair Kit	09534	\$11.24

Mounting Accessories

	Part Number	List Price
Gas Engine (3.62" Bolt Circle)	09103	\$15.18
Electric Motor - (5/8" w/NEMA 56C Face)	09134	\$55.44



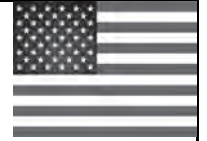
GX2525

List Price \$350.00

GX2525A*

List Price \$395.00

GX Vertical or Horizontal Pump with Unloader Includes Siphon Injector, Thermal Relief Valve & Engine Mounting Accessories



* Pump with 7/8" steel shaft - retrofit pump for Ex-cell XR Series pressure washers

	U.S.	(Metric)
--	------	----------

GX2525/ GX2525A*

Flow	2.5 GPM.....	(9.5 LPM)
Pressure	2500 PSI.....	(172 Bar)
Speed	3450 RPM	
Horsepower:	4.3 BHP.....	(3.2 kW)



Common Specifications & Materials

	U.S.	(Metric)
Max Inlet Temp	80 °F	(27 °C)
Weight	9 lbs.	(4.1 kg)
Inlet Port	1/2" NPT	
Discharge Port.....	3/8" NPT	

Materials Used

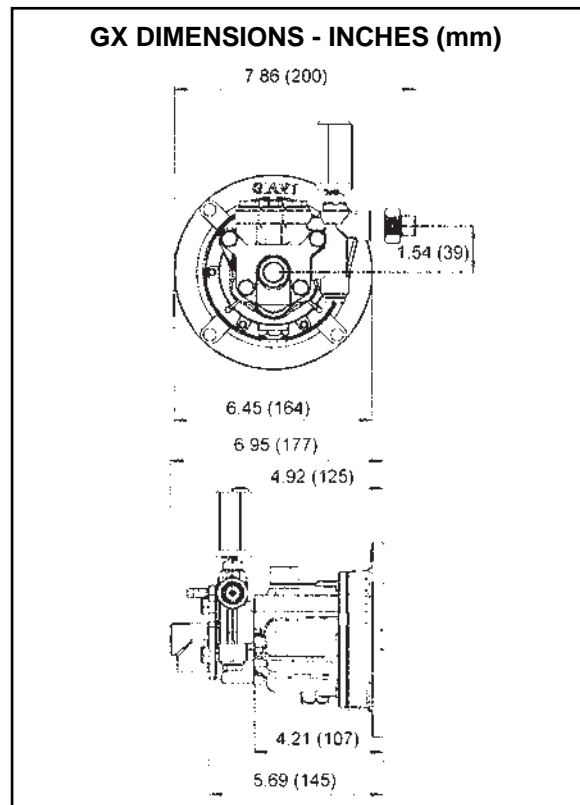
Manifold	Brass
Plunger	Stainless Steel
Valves	Polyamide
Seals.....	Nitrile with fabric reinforcing
Crankcase	Aluminum

Repair Kits

Kit	Part Number	List Price
Plunger Packing Kit	09465	\$33.10
Valve Kit	09466	\$12.99
Oil Seal Kit	09468	\$8.53
Unloader Repair Kit	09467	\$11.24

Mounting Accessories

	Part Number	List Price
Gas Engine (3.62" Bolt Circle)	09103	\$15.18
Gas Engine (GX2525A* 3.62" Bolt Circle)	09605	\$21.41
Electric Motor Kit - (5/8" w/ NEMA 56C Face)	09134	\$55.44



Belt Drive

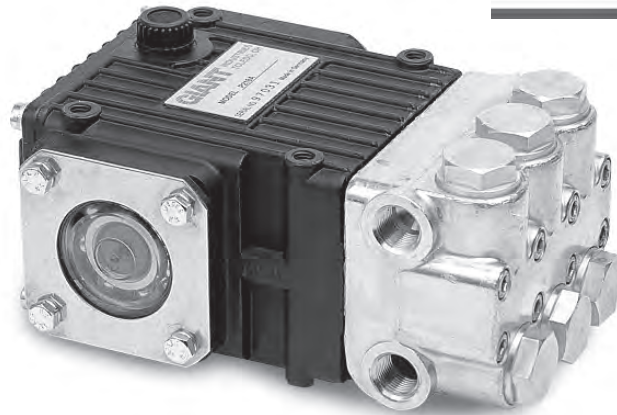


Common Specifications & Materials

	U.S.	(Metric)
Max Inlet Temp	160 °F	(70 °C)
Weight	11.7 lbs.	(5.3 kg)
Inlet Port	(2) 1/2" BSP	
Discharge Port.....	(2) 3/8" BSP	

Materials Used

Manifold.....	Special Brass
Plunger	Solid ceramic oxide
Valves	High Grade Stainless Steel
Seals.....	Nitrile with fabric reinforcing
Crankcase	Aluminum



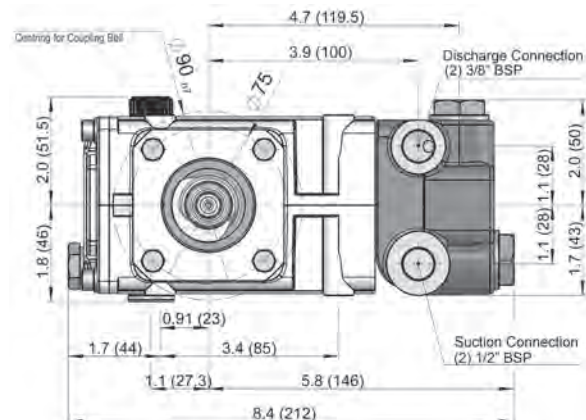
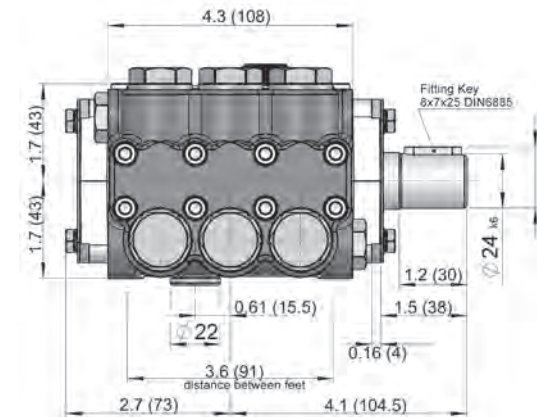
Repair Kits

Kit	Part Number	List Price
Plunger Packing Kit (12mm)	09152	\$106.29
Plunger Packing Kit (16mm)	09525	\$68.77
Plunger Packing Kit (18mm)	09164	\$102.70
Valve Kit	09116	\$97.19
Oil Seal Kit	09144	\$8.26

Belt Drive Mounting Accessories

	Part Number	List Price
Bushings		
24mm Tapered H Bushing	01074	\$28.80
Steel Box Rails		
(L=9.25"xW=1.18"xH=1.62")	01034	\$173.90
Plated Steel Channel Rails		
(L=5.75"xW=1.00"xH=2.50")	01161	\$49.85
Plated Steel Channel Rails		
(L=5.75"xW=1.00"xH=2.50")	01162	\$72.55

P200 DIMENSIONS - INCHES (mm)



P200 Series

Direct Drive

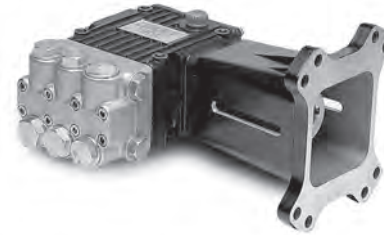
Electric Drive

Part Number	Connection to Electric Motor Type	List Price
01155	NEMA 56C	\$32.60
06495	NEMA 182TC, 184TC, 213TC, 215TC	\$59.77
01130	IEC B5	\$110.00



Gas Drive

Part Number	Connection to Engine Type	List Price
01155 & 09103	Adapts pump to most 3.5, 4.0, 5.5, 6.5 HP gas engines with a 3.62" bolt circle	\$32.60 \$15.18
06478	Fits gas engines with J609B mounting	\$92.37
Gear Boxes for		
08499A	Gearbox, J609B	\$595.00



One-Piece Couplings

Item	Description	List Price U.S \$
08485P	Delrin Coupling, 1" x 1/4" keyway x 24mm (includes short shaft kit)	\$59.85
08487P	Delrin Coupling, 1-1/8" x 1/4" keyway x 24mm (includes short shaft kit)	\$59.85
08489P	Delrin Coupling, 1-3/8" x 1/4" keyway x 24mm (includes short shaft kit)	\$59.85
08494P	Delrin Coupling, 5/8" x 3/16" keyway x 24mm	\$59.85
08496P	Delrin Coupling, 3/4" x 3/16" keyway x 24mm	\$59.85
06505-XX	Aluminum Couplers 24mm x 5/8" to 1-3/8"	\$26.30



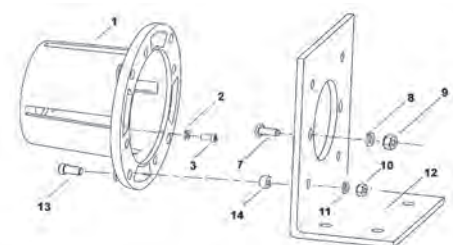
L-Jaw Coupler Sets

Part Number	Size	Bore Diameters	Weight lbs. (kg)	List Price U.S \$
03400-L099-24-1	L099	24mm x 1"	2.25 (1.0)	\$451.00
03400-L099-24-1.18	L099	24mm x 1-1/8"	2.25 (1.0)	\$451.00
03400-L100-24-1	L100	24mm x 1"	2.8 (1.3)	\$537.95
03400-L100-24-1.18	L100	24mm x 1-1/8"	2.8 (1.3)	\$537.95
03400-L100-24-1.38	L100	24mm x 1-3/8"	2.8 (1.3)	\$532.50
03400-L099-24-0.58	L099	24mm x 5/8"	2.8 (1.3)	\$451.00
03400-L099-24-0.75	L099	24mm x 3/4"	2.8 (1.3)	\$451.00
03400-L099-24-0.78	L099	24mm x 7/8"	2.8 (1.3)	\$451.00
03400-L099-24-24	L099	24mm x 24mm	2.8 (1.3)	\$451.00



Hydraulic Kit

Part Number	List Price
HK-P2/300	Adapts to SAE - "A" 2 Bolt hydraulic motor \$173.90



P200 Series



Model	Flow	Pressure Continuous/ Intermittent	Speed	Power Required	Plunger Diameter	Stroke	Price
	GPM (LPM)	PSI (Bar)	RPM	HP (kW)	in (mm)	in (mm)	
P205	0.38 (1.4)	2000 (140) / 2500 (170)	1750	0.7 (0.5)	0.47 (12)	0.13 (3.4)	\$860.00
P206	0.74 (2.5)	2000 (140) / 2500 (170)	1750	1.4 (1.0)	0.47 (12)	0.22 (5.5)	\$860.00
P205	0.8 (2.8)	2000 (140)	3450	1.1 (0.8)	0.47 (12)	0.13 (3.4)	\$860.00
P207	0.9 (3.4)	2000 (140) / 2500 (170)	1750	1.6 (1.2)	0.47 (12)	0.25 (6.3)	\$860.00
P225	0.9 (3.4)	2000 (140) / 3000 (200)	1750	1.9 (1.4)	0.63 (16)	0.13 (3.4)	\$860.00
P208	1.0 (3.8)	2000 (140) / 2500 (170)	1750	1.7 (1.3)	0.47 (12)	0.28 (7.0)	\$860.00
P230	1.1 (4.2)	2000 (140) / 2500 (170)	1750	1.90 (1.42)	0.71 (18)	0.13 (3.4)	\$860.00
P206	1.5 (5.6)	2000 (140)	3450	2.3 (1.7)	0.47 (12)	0.22 (5.5)	\$860.00
P209	1.5 (5.7)	2000 (140) / 2500 (170)	1750	2.59 (1.93)	0.47 (12)	0.39 (10)	\$860.00
P226	1.5 (5.7)	2000 (140) / 3000 (200)	1750	3.5 (2.6)	0.63 (16)	0.22 (5.5)	\$860.00
P207	1.7 (6.4)	2000 (140)	3450	2.2 (1.6)	0.47 (12)	0.25 (6.3)	\$860.00
P223	1.7 (6.4)	2000 (140) / 3000 (200)	1750	3.5 (2.6)	0.63 (16)	0.25 (6.3)	\$860.00
P217	1.8 (6.8)	2000 (140) / 2500 (170)	1750	3.1 (2.3)	0.71 (18)	0.22 (5.5)	\$860.00
P210	1.8 (6.8)	2000 (140) / 2500 (170)	1750	3.1 (2.3)	0.47 (12)	0.49 (12.4)	\$860.00
P228	1.8 (6.8)	2000 (140) / 3000 (200)	1750	3.7 (2.8)	0.63 (16)	0.28 (7.0)	\$860.00
P225	1.8 (6.8)	2000 (140)	3450	2.5 (1.9)	0.63 (16)	0.13 (3.4)	\$860.00
P208	1.9 (7.2)	2000 (140) / 2500 (170)	3450	2.5 (1.9)	0.47 (12)	0.28 (7.0)	\$860.00
P230	2.0 (7.6)	2000 (140) / 2500 (170)	3450	3.5 (2.6)	0.71 (18)	0.13 (3.4)	\$860.00
P227	2.1 (8.0)	2000 (140) / 2500 (170)	1750	3.6 (2.7)	0.71 (18)	0.25 (6.3)	\$860.00
P211	2.1 (7.9)	2000 (140) / 2500 (170)	1750	3.6 (2.7)	0.47 (12)	0.56 (14.2)	\$860.00
P221	2.3 (8.9)	2000 (140) / 2500 (170)	1750	4.0 (3.0)	0.71 (18)	0.28 (7.0)	\$860.00
P209	2.7 (10.2)	2000 (140)	3450	3.8 (2.8)	0.47 (12)	0.39 (10.0)	\$860.00
P223	3.0 (11.4)	2000 (140) / 3000 (200)	3450	6.2 (4.6)	0.63 (16)	0.64 (6.3)	\$860.00
P217	3.3 (12.5)	2000 (140) / 2500 (170)	3450	5.7 (4.3)	0.71 (18)	0.22 (5.5)	\$860.00
P210	3.3 (12.5)	2000 (140)	3450	4.6 (3.4)	0.47 (12)	0.49 (12.4)	\$860.00
P228	3.3 (12.5)	2000 (140)	3450	6.9 (5.2)	0.63 (16)	0.28 (7.0)	\$860.00
P218	3.4 (12.9)	2000 (140) / 2500 (170)	1750	5.9 (4.4)	0.71 (18)	0.39 (10)	\$860.00
P211	3.8 (14.4)	2000 (140)	3450	7.2 (5.4)	0.47 (12)	0.56 (12.4)	\$860.00
P227	3.8 (14.4)	2000 (140) / 2500 (170)	3450	6.6 (4.9)	0.71 (18)	0.25 (6.3)	\$860.00
P219	4.2 (15.9)	2000 (140) / 2500 (170)	1750	7.2 (5.4)	0.71 (18)	0.49 (12.4)	\$860.00
P221	4.2 (15.9)	2000 (140) / 2500 (170)	3450	7.2 (5.4)	0.71 (18)	0.28 (7.0)	\$860.00
P220	4.7 (17.8)	2000 (140) / 2500 (170)	1750	8.1 (6.0)	0.71 (18)	0.56 (14.1)	\$860.00

P200 Series Numbering Chart



	Pump	LH/RH	DRIVE	SHAFT	BACKEND	UNLOADER	INJECTOR SIZE	THERMAL	OIL
Pump Model	P205	0.38 GPM @ 2000 PSI @ 1750 RPM and 0.8 GPM @ 2500 PSI @ 3450 RPM							
	P206	0.74 GPM @ 2000 PSI @ 1750 RPM and 1.5 GPM @ 2500 PSI @ 3450 RPM							
	P207	0.9 GPM @ 2000 PSI @ 1750 RPM and 1.7 GPM @ 2000 PSI @ 3450 RPM							
	P225	0.9 GPM @ 2000 PSI @ 1750 RPM and 1.8 GPM @ 2000 PSI @ 3450 RPM							
	P208	1.0 GPM @ 2000 PSI @ 1750 RPM and 1.9 GPM @ 2500 PSI @ 3450 RPM							
	P230	1.1 GPM @ 2500 PSI @ 1750 RPM and 2.0 GPM @ 2500 PSI @ 3450 RPM							
	P209	1.5 GPM @ 2000 PSI @ 1750 RPM and 2.7 GPM @ 2500 PSI @ 3450 RPM							
	P226	1.5 GPM @ 2000 PSI @ 1750 RPM							
	P223	1.7 GPM @ 2000 PSI @ 1750 RPM and 3.0 GPM @ 3000 PSI @ 3450 RPM							
	P210	1.8 GPM @ 2000 PSI @ 1750 RPM and 3.3 GPM @ 2000 PSI @ 3450 RPM							
	P217	1.8 GPM @ 2000 PSI @ 1750 RPM and 3.3 GPM @ 2500 PSI @ 3450 RPM							
	P228	1.8 GPM @ 3000 PSI @ 1750 RPM							
	P211	2.1 GPM @ 2000 PSI @ 1750 RPM and 3.8 GPM @ 2000 PSI @ 3450 RPM							
	P227	2.1 GPM @ 2500 PSI @ 1750 RPM							
	P221	2.3 GPM @ 2000 PSI @ 1750 RPM and 4.2 GPM @ 2500 PSI @ 3450 RPM							
P218	3.4 GPM @ 2500 PSI @ 1750 RPM								
P219	4.2 GPM @ 2500 PSI @ 1750 RPM								
P220	4.7 GPM @ 2500 PSI @ 1450 RPM								
Shaft Side	LH Shaft	L							
	RH Shaft	R							
Electric Motor	(56C) 5 7/8" or 5.11" dia.	E1	(1) 01155 / (4) 01176A-1 / (4) 01176-2 (Ass. Parts 06773, (4) 07435)						
	(TC Face) 7 1/4" dia. Bolts	E2	(1) 06495 / (4) 01176A-1 / (4) 01176-2 (Ass. Parts 06773, (4) 07803)						
Gas Motor	(Under 9HP) 3-5/8" dia. Bolts	G1	(1) 01155 / (4) 01176A-1 / (4) 01176-2 (Ass. Parts 06773, (4) 07435 & (1) 09103)						
	(9HP & More) 6.5" dia. Bolts	G2	(1) 06478 / (4) 01176A-1 / (4) 01176-2 (Ass. Parts 06773, (4) 07804 & (4) 13129)						
	(9HP & More) 6.5" dia. Bolts	B1	(1) 08499A				& (4) 13445 if needed		
	(16HP & More) 6.5" dia. Bolts	B2	(1) 08980 or (1) 08981						
Coupler Size	5/8" Aluminum = 06505-0.6	B	(1) 06299 AND (1) 06332 with Each Aluminum Coupler ***** with each plastic coupler (1) 06332 with each plastic coupler						
	5/8" Delrin = 08494P	I							
	3/4" Aluminum = 06505-0.7	C							
	3/4" Delrin = 08496P	J							
	7/8" Aluminum = 06505-0.8	D							
	24mm Aluminum = 06505-24	M							
	1" Aluminum = 06505-1.0	E							
	1" Delrin = 08485P	K							
	1 1/8" Aluminum = 06505-1.1	F							
	1 1/8" Delrin = 08487P	L							
1 3/8" Aluminum = 04393-1.3	H								
1 3/8" Delrin = 08489P	N								
Backend	Extended	08302-L(P200)				(4) 01196 / (4) 01176-2			
	Short Backend	08302(P200)		X		(4) 07188 / (4) 01176-2			
Unloader/Regulator	No Unloader/Regulator	\							
	Unloader/Regulator	23270 (P200)		U or R		For Regulators, add "R"			
	Unloader (Side of Shaft)	23270 (P200)		US or RS		For Regulators, add "R"			
Siphon Injector	1.8mm (Fixed)					23750-1.8	2		
	2.1mm (Fixed)					23750-2.1	3		
	2.3mm (Fixed)					23750-2.3	4		
	1.8mm (Adjustable)					23750-1.8A	6		
	2.1mm (Adjustable)					23750-2.1A	7		
	2.3mm (Adjustable)					23750-2.3A	8		
Thermal	Thermal (Blank if No Thermal Relief Valve)					23422B (1/2")		T	
Oil	7.5 ounces for short gear ends / 9.0 ounces for long gear ends								O

NOTE: Pumps without Bell Housing to include (1) 01067 Associated parts

Method: Follow "shaded" boxes to follow the part number. Corresponding items included, next to the box.

Belt Drive



Common Specifications & Materials

	U.S.	(Metric)
Max Inlet Temp	160 °F	(71 °C)
Weight	16 lbs.	(7.3 kg)
Inlet Port	(2) 1/2" BSP	
Discharge Port.....	(2) 3/8" BSP	

Materials Used

Manifold	Brass
Plunger	Solid ceramic oxide
Valves	Stainless Steel
Seals.....	Nitrile with fabric reinforcing
Crankcase	Aluminum



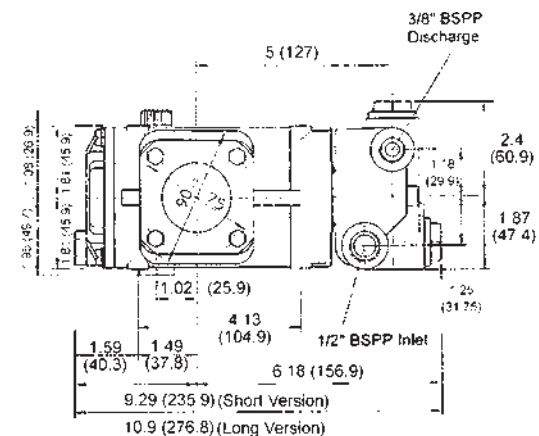
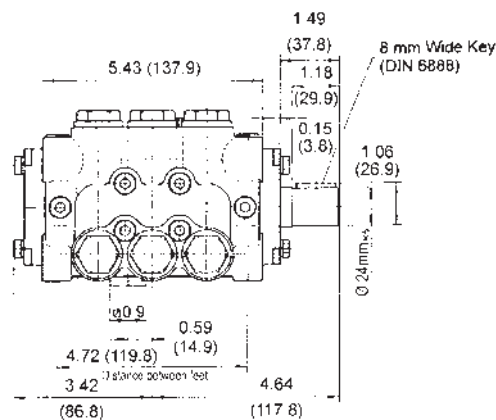
Repair Kits

Kit	Part Number	List Price
Plunger Packing Kit (12mm) (P314/P321)	09152	\$106.29
Plunger Packing Kit (18mm) (P316/P317/P319/P322/P323/P325)	09119	\$104.31
Plunger Packing Kit (20mm) (P318/P324)	09145	\$87.31
Plunger Packing Kit (16mm) (P340)	09507	\$222.85
Valve Kit	09116	\$97.19
Oil Seal Kit	09144	\$8.26

Belt Drive Mounting Accessories

	Part Number	List Price
Bushings		
24mm Tapered H Bushing	01074	\$28.80
Pulleys		
7.75" Cast Iron 1 gr. - AB	01061	\$131.85
7.75" Cast Iron 2 gr. - AB	01062	\$274.20
Steel Box Rails (L=9.25"xW=1.18"xH=1.62")	01034	\$173.90
Plated Steel Channel Rails (L=5.75"xW=1.00"xH=2.50")	01161	\$49.85
Plated Steel Channel Rails (L=5.75"xW=1.00"xH=2.50")	01162	\$72.55

P300 DIMENSIONS - INCHES (mm)



P300 Series



Direct Drive

Electric Drive

Part Number	Connection to Electric Motor Type	List Price
01155	NEMA 56C	\$32.60
06495	NEMA 182TC, 184TC, 213TC, 215TC	\$59.77
01130	IEC B5	\$110.00



06495

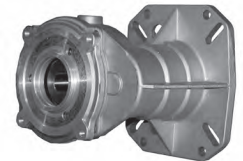


Gas Drive

Part Number	Connection to Engine Type	List Price
01155 & 09103	Adapts pump to most 3.5, 4.0, 5.5, 6.5 HP gas engines with a 3.62" bolt circle	\$32.60 \$15.18
06478	Fits gas engines with J609B mounting	\$92.37
Gear Boxes for		
08499A	Gearbox, J609B	\$595.00



06478



08499A

One-Piece Couplings

Item	Description	List Price U.S \$
08485P	Delrin Coupling, 1" x 1/4" keyway x 24mm (includes short shaft kit)	\$59.85
08487P	Delrin Coupling, 1-1/8" x 1/4" keyway x 24mm (includes short shaft kit)	\$59.85
08489P	Delrin Coupling, 1-3/8" x 1/4" keyway x 24mm (includes short shaft kit)	\$59.85
08494P	Delrin Coupling, 5/8" x 3/16" keyway x 24mm	\$59.85
08496P	Delrin Coupling, 3/4" x 3/16" keyway x 24mm	\$59.85
06505-XX	Aluminum Couplers 24mm x 5/8" to 1-3/8"	\$26.30



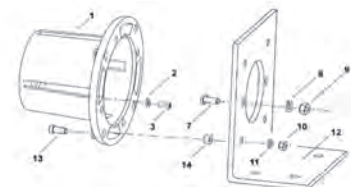
L-Jaw Coupler Sets

Part Number	Size	Bore Diameters	Weight lbs. (kg)	List Price U.S \$
03400-L099-24-1	L099	24mm x 1"	2.25 (1.0)	\$451.00
03400-L099-24-1.18	L099	24mm x 1-1/8"	2.25 (1.0)	\$451.00
03400-L100-24-1	L100	24mm x 1"	2.8 (1.3)	\$537.95
03400-L100-24-1.18	L100	24mm x 1-1/8"	2.8 (1.3)	\$537.95
03400-L100-24-1.38	L100	24mm x 1-3/8"	2.8 (1.3)	\$532.50
03400-L099-24-0.58	L099	24mm x 5/8"	2.8 (1.3)	\$451.00
03400-L099-24-0.75	L099	24mm x 3/4"	2.8 (1.3)	\$451.00
03400-L099-24-0.78	L099	24mm x 7/8"	2.8 (1.3)	\$451.00
03400-L099-24-24	L099	24mm x 24mm	2.8 (1.3)	\$451.00



Hydraulic Kit

Part Number	List Price
HK-P2/300	Adapts to SAE - "A" 2 Bolt hydraulic motor \$173.90



P300 Series



Model	Flow	Pressure Continuous/ Intermittent	Speed	Power Required	Plunger Diameter	Stroke	Price
	GPM (LPM)	PSI (Bar)	RPM	HP (kW)	in (mm)	in (mm)	
P327	2.9 (11.0)	3500 (240)/ 4000 (275)	3450	7.0 (5.2)/ 8.0 (6.0)	0.47 (12)	0.42 (10.6)	\$925.00
P317	3.5 (13.2)	3045 (210) / 3350 (230)	1750	8.1 (6.0)	0.71 (18)	0.42 (10.6)	\$900.00
P323	3.5 (13.2)	3685 (255)	1750	8.9 (6.6)	0.71 (18)	0.42 (10.6)	\$925.00
P340	3.7 (14.0)	3500 (240) / 4000 (275)	1750	10.2 (7.6)	0.63 (16)	0.56 (14.1)	\$925.00
P321	3.8 (14.4)	3200 (220)/ 3500 (240)	3450	8.4 (6.3)/ 9.2 (6.9)	0.47 (12)	0.56 (14.1)	\$900.00
P314	3.8 (14.4)	3500 (240)/ 4000 (275)	3450	9.2 (6.9)/ 10.5 (7.8)	0.47 (12)	0.56 (14.1)	\$925.00
P316	4.0 (15.1)	3045 (210) / 3350 (230)	1450	9.2 (6.9)	0.71 (18)	0.56 (14.1)	\$900.00
P322	4.0 (15.1)	3500 (240)	1450	9.7 (7.2)	0.71 (18)	0.56 (14.1)	\$925.00
P328	4.1 (15.5)	3200 (220) / 3500 (240)	3450	9.9 (7.4)	0.63 (16)	0.31 (8.0)	\$900.00
P329	4.1 (15.5)	3500 (240) / 4000 (275)	3450	11.3 (8.4)	0.63 (16)	0.31 (8.0)	\$925.00
P316	4.7 (17.8)	2500 (170) / 2750 (190)	1750	9.2 (6.9)	0.71 (18)	0.56 (14.1)	\$900.00
P322	4.7 (17.8)	3000 (200)	1750	9.7 (7.2)	0.71 (18)	0.56 (14.1)	\$925.00
P318	4.8 (18.3)	2000 (140)	1450	6.6 (4.9)	0.79 (20)	0.56 (14.1)	\$995.00
P324	4.8 (18.2)	2200 (150)	1450	7.3 (5.4)	0.79 (20)	0.56 (14.1)	\$1,015.00
P319	4.8 (18.2)	2500 (170) / 2750 (190)	3450	9.1 (6.8)	0.71 (18)	0.31 (8.0)	\$900.00
P332	4.8 (18.2)	3000 (200)	1450	9.9 (7.4)	0.71 (18)	0.63 (16)	\$1,025.00
P325	4.8 (18.2)	3045 (210)	3450	10.1 (7.5)	0.71 (18)	0.31 (8.0)	\$925.00
P334	5.5 (20.8)	2000 (140)	1450	7.6 (5.7)	0.79 (20)	0.63 (16.0)	\$1,015.00
P318	5.8 (22.0)	1000 (70)	1750	4.0 (3.0)	0.79 (20)	0.56 (14.1)	\$995.00
P324	5.8 (22.0)	1100 (75)	1450	4.4 (3.3)	0.79 (20)	0.56 (14.1)	\$1,015.00
P330	6.5 (24.7)	1000 (70)	3450	4.5 (3.3)	0.79 (20)	0.31 (8.0)	\$900.00

P300 Series Numbering Chart



	Pump	LH/RH	DRIVE	SHAFT	BACKEND	UNLOADER	INJECTOR SIZE	THERMAL	OIL
Pump Model	P327	2.9 GPM @ 3500 PSI (4000 PSI*) @ 3450 RPM							
	P317	3.5 GPM @ 3045 PSI (3350 PSI*) @ 1750 RPM							
	P323	3.5 GPM @ 3685 PSI @ 1750 RPM							
	P340	3.7 GPM @ 3500 PSI (4000 PSI*) @ 1750 RPM							
	P321	3.8 GPM @ 3200 PSI (3500 PSI*) @ 3450 RPM							
	P314	3.8 GPM @ 3500 PSI (4000 PSI*) @ 3450 RPM							
	P316	4.0 GPM @ 3045 PSI (3350 PSI*) @ 1450 RPM and 4.7 GPM @ 2500 PSI (2750 PSI*) @ 1750 RPM							
	P322	4.0 GPM @ 3500 PSI @ 1450 RPM and 4.7 GPM @ 3000 PSI @ 1750 RPM							
	P328	4.1 GPM @ 3200 PSI (3500 PSI*) @ 3450 RPM							
	P329	4.1 GPM @ 3500 PSI (4000 PSI*) @ 3450 RPM							
	P318	4.8 GPM @ 2000 PSI @ 1450 RPM and 5.8 GPM @ 1000 PSI @ 1750 RPM							
	P324	4.8 GPM @ 2200 PSI @ 1450 RPM and 5.8 GPM @ 1100 PSI @ 1750 RPM							
	P319	4.8 GPM @ 2500 PSI (2750 PSI*) @ 3450 RPM							
	P332	4.8 GPM @ 3000 PSI @ 1450 RPM							
	P325	4.8 GPM @ 3045 PSI @ 3450 RPM							
P334	5.5 GPM @ 2000 PSI @ 1450 RPM								
P330	6.5 GPM @ 1000 PSI @ 3450 RPM								
Shaft Side	LH Shaft	L							
	RH Shaft	R							
Electric Motor	(56C) 5 7/8" or 5.11" dia.	E1	(1) 01155 / (4) 01176A-1 / (4) 01176-2 (Ass. Parts 06773, (4) 07435)						
	(TC Face) 7 1/4" dia. Bolts	E2	(1) 06495 / (4) 01176A-1 / (4) 01176-2 (Ass. Parts 06773, (4) 07803)						
Gas Motor	(Under 9HP) 3-5/8" dia. Bolts	G1	(1) 01155 / (4) 01176A-1 / (4) 01176-2 (Ass. Parts 06773, (4) 07435 & (1) 09103)						
	(9HP & More) 6.5" dia. Bolts	G2	(1) 06478 / (4) 01176A-1 / (4) 01176-2 (Ass. Parts 06773, (4) 07804 & (4) 13129)						
	(9HP & More) 6.5" dia. Bolts	B1	(1) 08499A				& (4) 13445 if needed		
	(16HP & More) 6.5" dia. Bolts	B2	(1) 08980 or (1) 08981						
Coupler Size	5/8" Aluminum = 06505-0.6	B	(1) 06299 AND (1) 06332 with Each Aluminum Coupler ***** (1) 06332 with each plastic coupler						
	5/8" Delrin = 08494P	I							
	3/4" Aluminum = 06505-0.7	C							
	3/4" Delrin = 08496P	J							
	7/8" Aluminum = 06505-0.8	D							
	24mm Aluminum = 06505-24	M							
	1" Aluminum = 06505-1.0	E							
	1" Delrin = 08485P	K							
	1 1/8" Aluminum = 06505-1.1	F							
	1 1/8" Delrin = 08487P	L							
	1 3/8" Aluminum = 04393-1.3	H							
1 3/8" Delrin = 08489P	N								
Backend	Extended	08410-LG (P300)				(4) 01196 / (4) 01176-2			
	Short Backend	08410B (P300)		X		(4) 07188 / (4) 01176-2			
Unloader/Regulator	No Unloader/Regulator								
	Unloader/Regulator	23280 (P300)		U or R		For Regulators, add "R"			
	Unloader (Side of Shaft)	23280 (P300)		US or RS		For Regulators, add "R"			
Siphon Injector	1.8mm (Fixed)			23750-1.8		2			
	2.1mm (Fixed)			23750-2.1		3			
	2.3mm (Fixed)			23750-2.3		4			
	1.8mm (Adjustable)			23750-1.8A		6			
	2.1mm (Adjustable)			23750-2.1A		7			
	2.3mm (Adjustable)			23750-2.3A		8			
Thermal	Thermal (Blank if No Thermal and Pulsator Valve)					23422B (1/2")		T	
Pulsator	Pulsator (Blank if No Pulsator Valve)							P	

NOTE: Pumps without Bell Housing to include (1) 01067 Associated parts

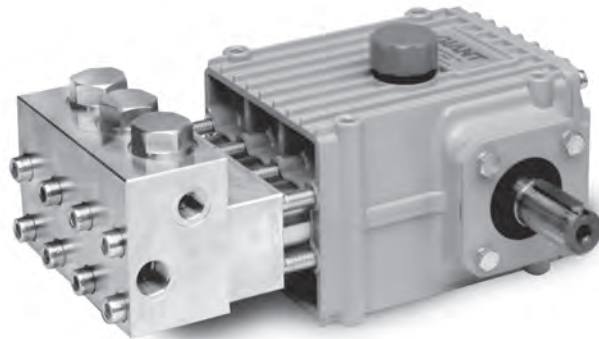
Method: Follow "shaded" boxes to follow the part number. Corresponding items included, next to the box.

Model	Flow	Pressure	Speed	Power Required	Plunger Diameter	Stroke	Price
	GPM (LPM)	PSI (Bar)	RPM	HP (kW)	in (mm)	in (mm)	
P414*	3.1 (11.8)	10,150 (700)	1450	21.7 (16.2)	0.55 (14)	0.94 (24)	\$8,005.00
P480*	3.2 (12.3)	7250 (500)	1450	16.0 (11.9)	0.55 (14)	0.79 (20)	\$5,670.00
P460*	3.8 (14.5)	7250 (500)	1450	19.0 (14.2)	0.55 (14)	0.94 (24)	\$5,670.00

*Hydraulic drive pumps available upon request

Common Specifications & Materials

	U.S.	(Metric)
Max Inlet Temp	104 °F	(40 °C)
Weight	46 lbs.	(21 kg)
Inlet Port	(2) 1/2" BSP	
Discharge Port	(2) 3/8" BSP	
Materials Used		
Manifold	Stainless Steel	
Plunger	Solid ceramic oxide	
Valves	High Grade Stainless Steel	
Seals	Nitrile with fabric reinforcing	
Crankcase	Aluminum	



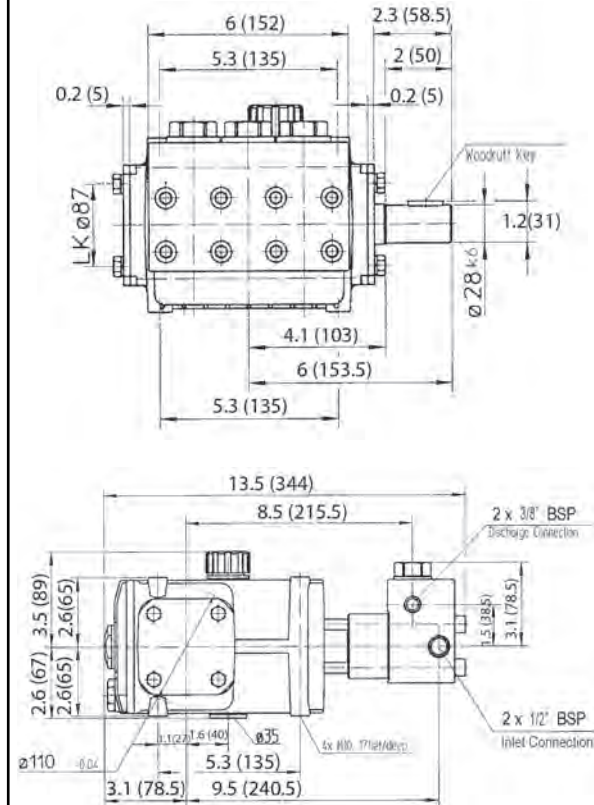
Repair Kits

Kit	Part Number	List Price
Plunger Packing Kit	09499	\$447.11
Valve Kit	09498	\$354.13
Oil Seal Kit	09306	\$35.85

Mounting Accessories

	Part Number	List Price
Bushings		
28mm Tapered H Bushing	07175	\$24.20
Pulleys		
9.75" Cast Iron 2 gr. -AB	01055	\$324.65
7.75" Cast Iron 2 gr. -AB	01062	\$274.20
Plated Steel Channel Rails (L=9.18"xW=1.88"xH=3.00")		
	07358	\$76.65
Direct Drive Accessories: see page 29		

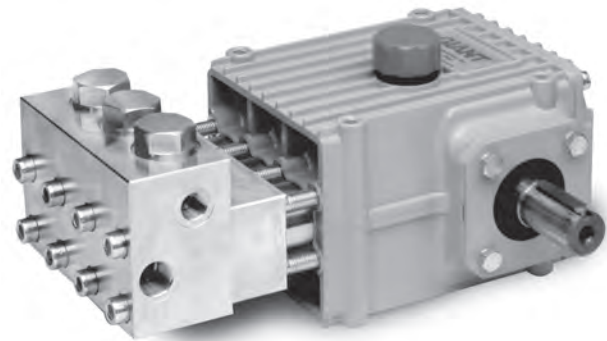
P414/P460/P480 DIMENSIONS - INCHES (mm)



Model	Flow	Pressure	Speed	Power Required	Plunger Diameter	Stroke	Price
	GPM (LPM)	PSI (Bar)	RPM	HP (kW)	in (mm)	in (mm)	
P461	3.9 (14.6)	7250 (500)	1750	19.5 (14.5)	0.55 (14)	0.79 (20)	\$4,605.00
P462	4.6 (17.5)	7250 (500)	1750	23.0 (17.2)	0.55 (14)	0.94 (24)	\$4,605.00

Common Specifications & Materials

	U.S.	(Metric)
Max Inlet Temp	104 °F	(40 °C)
Weight	42 lbs.	(19 kg)
Inlet Port	(2) 1/2" BSP	
Discharge Port	(2) 3/8" BSP	
Materials Used		
Manifold	Brass	
Plunger	Solid ceramic oxide	
Valves	High Grade Stainless Steel	
Seals	Nitrile with fabric reinforcing	
Crankcase	Aluminum	



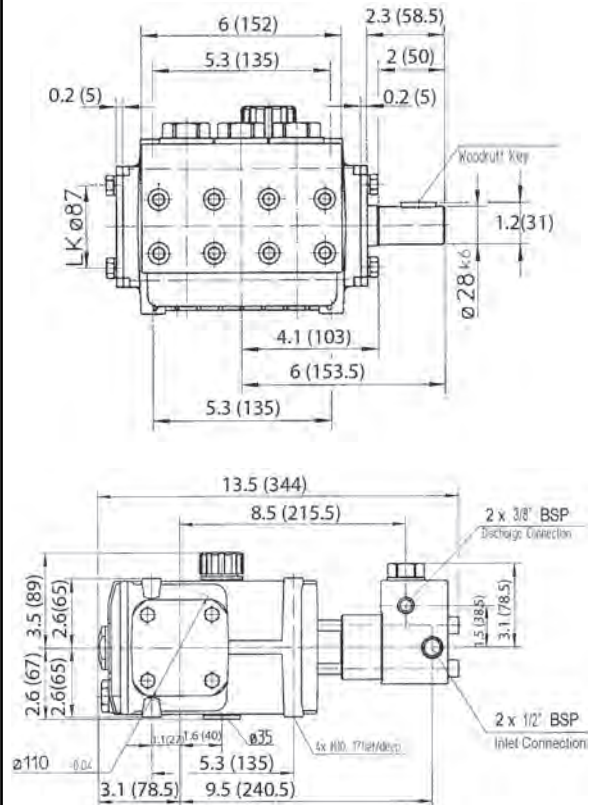
Repair Kits

Kit	Part Number	List Price
Plunger Packing Kit	09799	\$382.85
Valve Kit	09781	\$361.20
Oil Seal Kit	09641	\$24.48

Mounting Accessories

	Part Number	List Price
Bushings		
28mm Tapered H Bushing	07175	\$24.20
Pulleys		
9.75" Cast Iron 2 gr. -AB	01055	\$324.65
7.75" Cast Iron 2 gr. -AB	01062	\$274.20
Plated Steel Channel Rails (L=9.18"xW=1.88"xH=3.00")		
	07358	\$76.65
Direct Drive Accessories: see page 29		

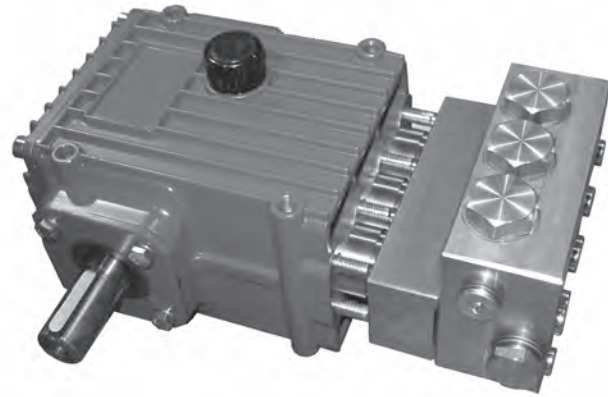
P461/P462 DIMENSIONS - INCHES (mm)



Model	Flow	Pressure	Speed	Power Required	Plunger Diameter	Stroke	Price
	GPM (LPM)	PSI (Bar)	RPM	HP (kW)	in (mm)	in (mm)	
P485	5.3 (19.9)	7250 (500)	1450	26.1 (19.5)	0.71 (18)	0.79 (20)	\$4,605.00
P465	6.3 (23.9)	5800 (400)	1450	25.2 (18.8)	0.71 (18)	0.94 (24)	\$4,605.00

Common Specifications & Materials

	U.S.	(Metric)
Max Inlet Temp	104 °F	(40 °C)
Weight	37.5 lbs.	(17 kg)
Inlet Port	(2) 1/2" BSP	
Discharge Port.....	(2) 3/8" BSP	
Materials Used		
Manifold (P465/P485).....	Extruded Brass	
Plunger	Solid ceramic oxide	
Valves	High Grade Stainless Steel	
Seals.....	Nitrile with fabric reinforcing	
Crankcase	Aluminum	



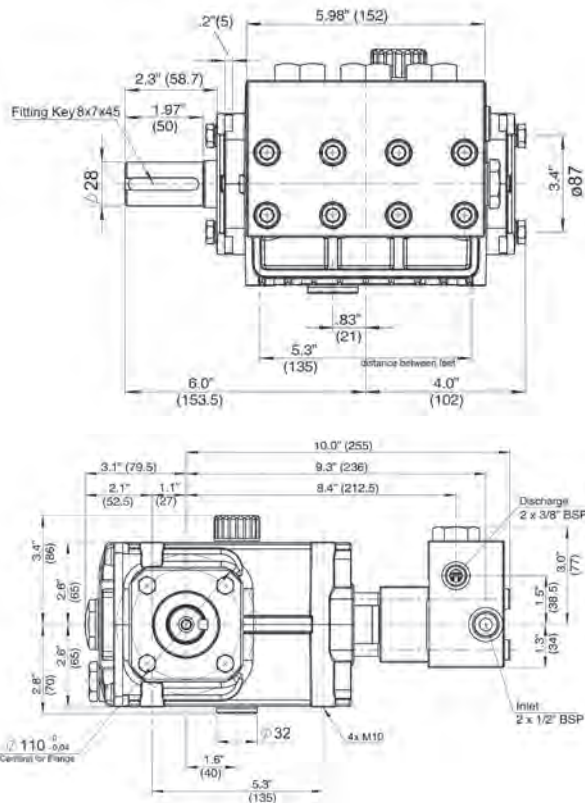
Repair Kits

Kit	Part Number	List Price
Plunger Packing Kit	09640	\$339.00
Valve Kit	09781	\$361.20
Oil Seal Kit	09641	\$24.48

Mounting Accessories

	Part Number	List Price
Bushings		
28mm Tapered H Bushing	07175	\$24.20
Pulleys		
9.75" Cast Iron 2 gr. -AB	01055	\$324.65
7.75" Cast Iron 2 gr. -AB	01062	\$274.20
Plated Steel Channel Rails (L=9.18" x W=1.88" x H=3.00")		
	07358	\$76.65
Direct Drive Accessories: see page 29		

P465/P485 DIMENSIONS - INCHES (mm)



P465H and P485H Hydraulic Drive Pumps

Model	Flow	Pressure	Speed	Power Required	Plunger Diameter	Stroke	Price
	GPM (LPM)	PSI (Bar)	RPM	HP (kW)	in (mm)	in (mm)	
P485H	5.3 (19.9)	7250 (500)	1450	26.3 (19.6)	0.71 (18)	0.79 (20)	\$4,930.00
P465H	6.3 (23.9)	5800 (400)	1450	25.2 (18.8)	0.71 (18)	0.94 (24)	\$5,105.00

Common Specifications & Materials

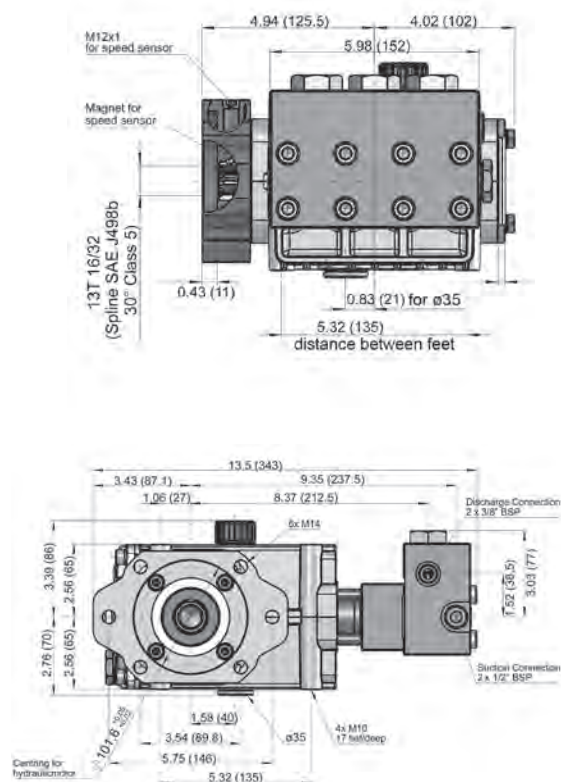
	U.S.	(Metric)
Max Inlet Temp	104 °F	(40 °C)
Weight	37.5 lbs.	(17 kg)
Inlet Port	(2) 1/2" BSP	
Discharge Port.....	(2) 3/8" BSP	
Materials Used		
Manifold (P465/P485).....	Extruded Brass	
Manifold (P465-4000/P485-4000)	Stainless Steel	
Plunger	Solid ceramic oxide	
Valves	High Grade Stainless Steel	
Seals.....	Nitrile with fabric reinforcing	
Crankcase	Aluminum	



Repair Kits / Accessories

Kit	Part Number	List Price
Plunger Packing Kit	09640	\$339.00
Valve Kit	09781	\$361.20
Oil Seal Kit	09641	\$24.48
Anti-Seize	03325	\$7.22

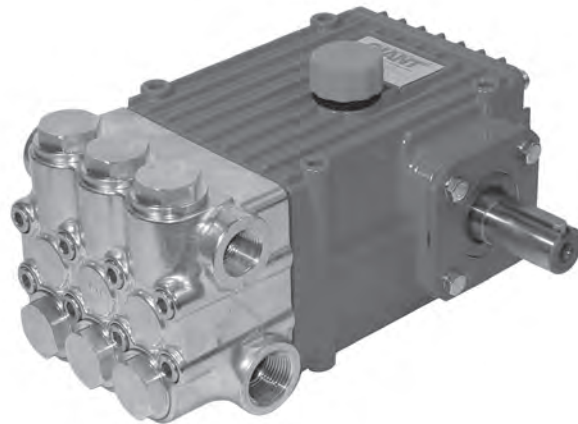
P465/P485 DIMENSIONS - INCHES (mm)



Model	Flow	Pressure Continuous/ Intermittent	Speed	Power Required	Plunger Diameter	Stroke	Price
	GPM (LPM)	PSI (Bar)	RPM	HP (kW)	in (mm)	in (mm)	
P455B	5.5 (20.8)	4350 (300) / 5100 (350)	1450	19.2 (14.3)	0.71 (18)	0.79 (20)	\$2,835.00
P450	5.5 (20.8)	5100 (350)	1450	19.8 (14.8)	0.71 (18)	0.79 (20)	\$4,495.00
P456B	5.8 (22.0)	4350 (300) / 5100 (350)	1725	20.3 (15.1)	0.71 (18)	0.72 (18.2)	\$4,495.00
P451	5.8 (22.0)	5100 (350)	1725	20.4 (15.2)	0.71 (18)	0.72 (18.2)	\$4,730.00
P435	6.6 (25.0)	3625 (250)	1450	16.5 (12.3)	0.71 (18)	0.94 (24)	\$3,000.00

Common Specifications & Materials

	U.S.	(Metric)
Max Inlet Temp	160 °F	(70 °C)
Weight	38.3 lbs.	(17.4 kg)
Inlet Port (P450/451/456)	(2) 1/2" BSP	
Inlet Port (P435/455)	(2) 3/4" BSP	
Discharge Port.....	(2) 1/2" BSP	
Materials Used		
Manifold (P450/P451).....	Bronze	
Manifold (P455B/P456B/P435).....	Forged Brass	
Plunger	Solid ceramic oxide	
Valves	High Grade Stainless Steel	
Seals.....	Nitrile with fabric reinforcing	
Crankcase	Aluminum	



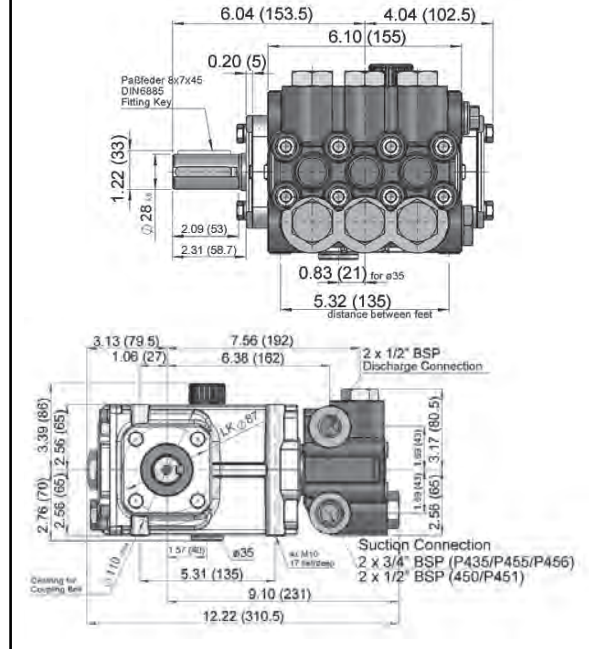
Repair Kits

Kit	Part Number	List Price
Plunger Packing Kit	09141	\$125.88
Valve Kit (P435, P455B, P456B)	09644	\$492.35
Valve Kit (P450, P451)	09770	\$357.33
Oil Seal Kit	09641	\$24.48

Mounting Accessories

	Part Number	List Price
Bushings		
28mm Tapered H Bushing	07175	\$24.20
Pulleys		
9.75" Cast Iron 2 gr. -AB	01055	\$324.65
7.75" Cast Iron 2 gr. -AB	01062	\$274.20
Plated Steel Channel Rails (L=9.18"xW=1.88"xH=3.00")		
	07358	\$76.65
Direct Drive Accessories: see page 29		

**P435, P450, P451, P455, P456
INCHES (mm)**



P435H & P455BH

Hydraulic Drive Pumps

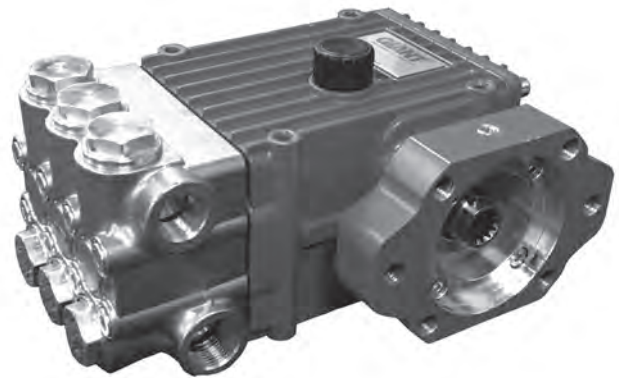
Model	Flow	Pressure Continuous/ Intermittent	Speed	Power Required	Plunger Diameter	Stroke	Price
	GPM (LPM)	PSI (Bar)	RPM	HP (kW)	in (mm)	in (mm)	
P455BH	5.5 (20.8)	4350 (300) / 5100 (350)	1450	19.3 (14.4)	0.71 (18)	0.79 (20)	\$3,510.00
P435H	6.6 (25.0)	3625 (250)	1450	16.5 (12.3)	0.71 (18)	0.94 (24)	\$3,510.00

Common Specifications & Materials

	U.S.	(Metric)
Max Inlet Temp	160 °F	(70 °C)
Weight	38.3 lbs.	(17.4 kg)
Inlet Port	(2) 1/2" BSP	
Discharge Port.....	(2) 1/2" BSP	

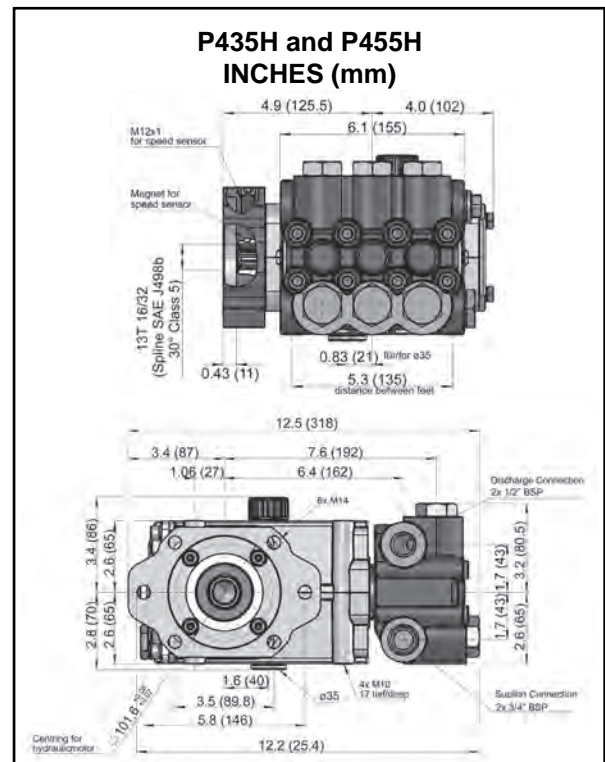
Materials Used

Manifold	Forged Brass
Plunger	Solid ceramic oxide
Valves	High Grade Stainless Steel
Seals.....	Nitrile with fabric reinforcing
Crankcase	Aluminum



Repair Kits / Accessories

Kit	Part Number	List Price
Plunger Packing Kit	09141	\$125.88
Valve Kit (P435, P455B, P456B)	09644	\$492.35
Oil Seal Kit	09641	\$24.48
Anti-Seize	03325	\$7.22
Direct Drive Accessories: see page 29		



Model	Flow	Pressure Continuous/ Intermittent	Speed	Power Required	Plunger Diameter	Stroke	Price
	GPM (LPM)	PSI (Bar)	RPM	HP (kW)	in (mm)	in (mm)	
P423	8.2 (31.1)	2900 (200)	1450	16.4 (12.2)	0.87 (22)	0.79 (20)	\$2,835.00
P422	9.9 (37.3)	2600 (180) / 3000 (200)	1450	20.5 (15.3)	0.87 (22)	0.94 (24)	\$2,835.00
P425*	10.7 (40.4)	2465 (170)	1450	18.2 (13.6)	0.98 (25)	0.79 (20)	\$2,835.00
P420A*	12.8 (48.4)	2175 (150)	1450	19.2 (14.3)	0.98 (25)	0.94 (24)	\$2,835.00

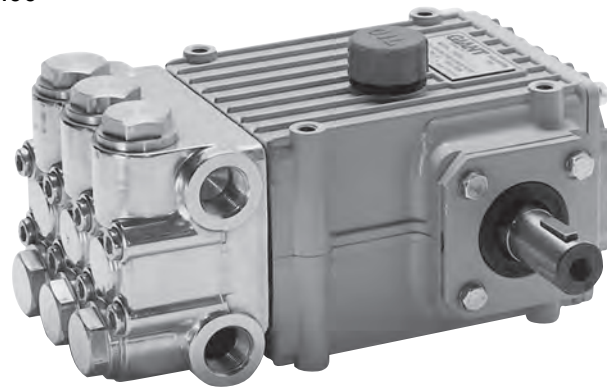
*P425-0021- Includes Teflon Seals and Viton O-Rings - \$3,165.00

P425-BSP- BSP Inlet/Discharge Ports - \$2,835.00

*P420A-0011- Includes Viton Seals and O-Rings - \$3,165.00

Common Specifications & Materials

	U.S.	(Metric)
Max Inlet Temp	160 °F	(70 °C)
Weight	38.3 lbs.	(17.4 kg)
Inlet Port	(2) 1" NPT	
Discharge Port.....	(2) 3/4" NPT	
Materials Used		
Manifold Material	Forged Brass	
Plunger	Solid ceramic oxide	
Valves	High Grade Stainless Steel	
Seals.....	Nitrile with fabric reinforcing	
Crankcase	Aluminum	



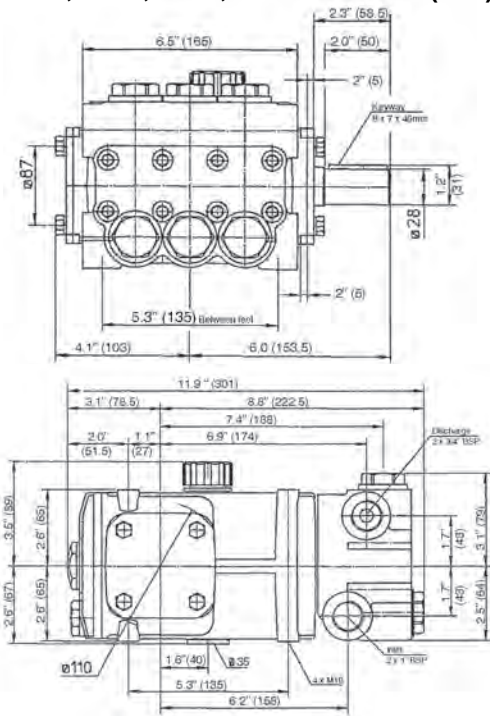
Repair Kits

Kit	Part Number	List Price
Plunger Packing Kit (P420, P425)	09140	\$211.05
Plunger Packing Kit (P422, P423)	09295	\$292.67
Valve Kits	09143	\$471.35
Oil Seal Kit	09641	\$24.48

Mounting Accessories

	Part Number	List Price
Bushings		
28mm Tapered H Bushing	07175	\$24.20
Pulleys		
9.75" Cast Iron 2 gr. -AB	01055	\$324.65
7.75" Cast Iron 2 gr. -AB	01062	\$274.20
Plated Steel Channel Rails (L=9.18"xW=1.88"xH=3.00")		
	07358	\$76.65
Direct Drive Accessories: see page 29		

P420, P422, P423, P425 - INCHES (mm)



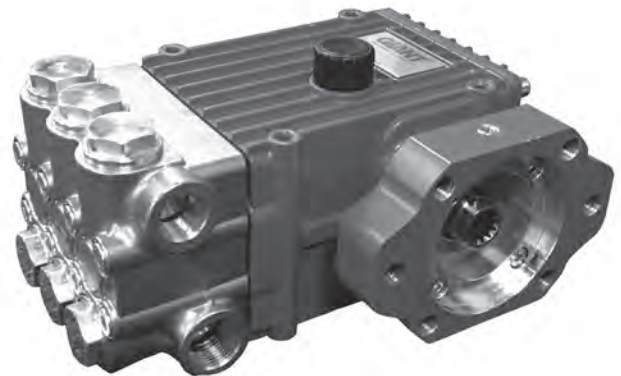
P420H, P422H, P423H & P425H

Hydraulic Drive Pumps

Model	Flow	Pressure Continuous/ Intermittent	Speed	Power Required	Plunger Diameter	Stroke	Price
	GPM (LPM)	PSI (Bar)	RPM	HP (kW)	in (mm)	in (mm)	
P423H	8.2 (31.1)	2900 (200)	1450	16.4 (12.2)	0.87 (22)	0.79 (20)	\$3,235.00
P422H	9.9 (37.3)	2600 (180) / 3000 (200)	1450	20.5 (15.3)	0.87 (22)	0.94 (24)	\$3,350.00
P425H	10.7 (40.4)	2465 (170)	1450	18.2 (13.6)	0.98 (25)	0.79 (20)	\$3,235.00
P420AH	12.8 (48.4)	2175 (150)	1450	19.2 (14.3)	0.98 (25)	0.94 (24)	\$3,350.00

Common Specifications & Materials

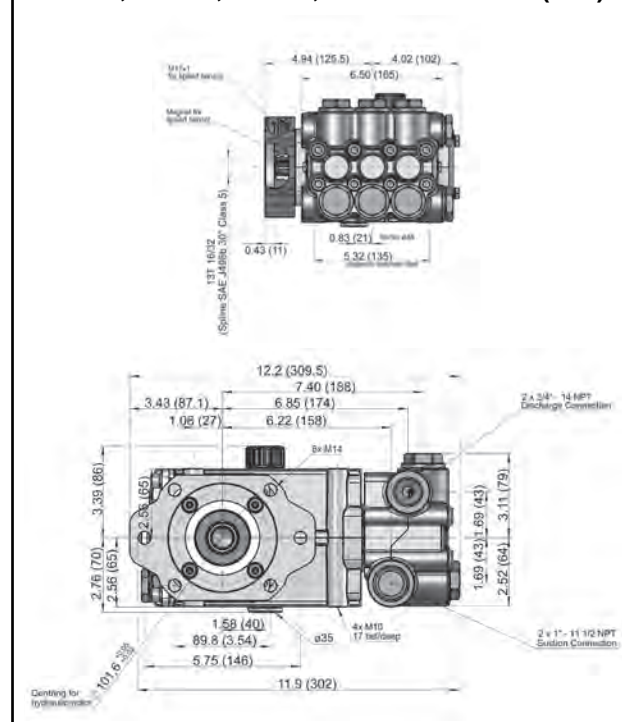
	U.S.	(Metric)
Max Inlet Temp	160 °F	(70 °C)
Weight	38.3 lbs.	(17.4 kg)
Inlet Port	(2) 1" NPT	
Discharge Port	(2) 3/4" NPT	
Materials Used		
Manifold Material	Forged Brass	
Plunger	Solid ceramic oxide	
Valves	High Grade Stainless Steel	
Seals	Nitrile with fabric reinforcing	
Crankcase	Aluminum	



Repair Kits / Accessories

Kit	Part Number	List Price
Plunger Packing Kit (P420, P425)	09140	\$211.05
Plunger Packing Kit (P422, P423)	09295	\$292.67
Valve Kits	09143	\$471.35
Oil Seal Kit	09641	\$24.48
Anti-Seize	03325	\$7.22

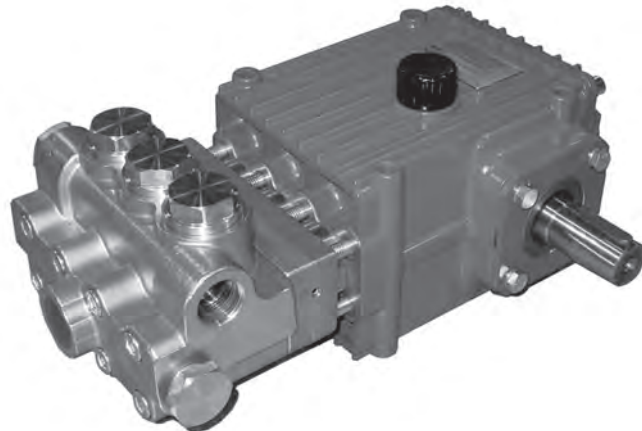
P420H, P422H, P423H, P425H - INCHES (mm)



Model	Flow	Pressure	Speed	Power Required	Plunger Diameter	Stroke	Price
	GPM (LPM)	PSI (Bar)	RPM	HP (kW)	in (mm)	in (mm)	
P490	15.7 (59.5)	2000 (140)	1450	21.8 (16.3)	1.18 (30)	0.79 (20)	\$3,585.00
P490-7000	15.7 (59.5)	2000 (140)	1450	21.8 (16.3)	1.18 (30)	0.79 (20)	\$4,110.00
P470	18.4 (69.7)	2000 (140)	1450	25.8 (19.2)	1.18 (30)	0.94 (24)	\$3,585.00
P470-7000	18.4 (69.7)	2000 (140)	1450	25.8 (19.2)	1.18 (30)	0.94 (24)	\$4,110.00

Common Specifications & Materials

	U.S.	(Metric)
Max Inlet Temp	160 °F	(70 °C)
Weight	39.7 lbs.	(18 kg)
Inlet Port	(2) 3/4" & 1" BSP	
Discharge Port.....	(2) 3/4" BSP	
Manifold (P470/P490).....	Brass	
Manifold (P470-7000/P490-7000).....	Nickel-Plated Brass	
Plunger	Solid ceramic oxide	
Valves	Stainless Steel	
Seals.....	Nitrile with fabric reinforcing	
Crankcase	Aluminum	



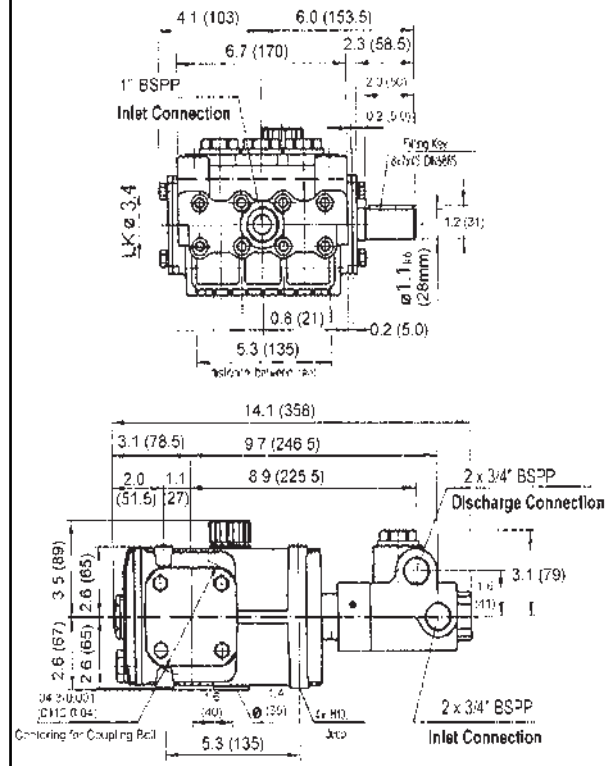
Repair Kits

Kit	Part Number	List Price
Plunger Packing Kit	09565	\$378.72
Valve Kit	09566	\$805.92
Oil Seal Kit	09306	\$35.85

Mounting Accessories

	Part Number	List Price
Bushings		
28mm Tapered H Bushing	07175	\$24.20
Plated Steel Channel Rails		
(L=9.18"xW=1.88"xH=3.00")	07358	\$76.65
Direct Drive Accessories: see page 29		

P470 / P490 - INCHES (mm)

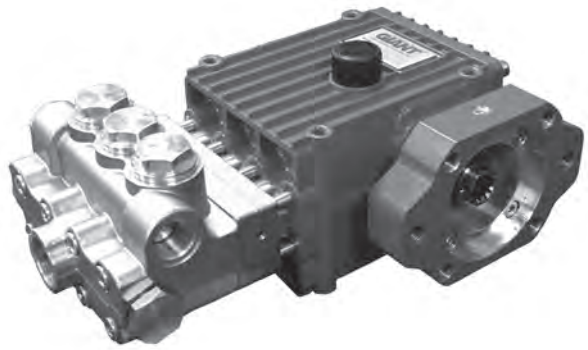


Hydraulic Drive Pumps

Model	Flow	Pressure	Speed	Power Required	Plunger Diameter	Stroke	Price
	GPM (LPM)	PSI (Bar)	RPM	HP (kW)	in (mm)	in (mm)	
P426HHP	14.3 (54.0)	3000 (200)	1450	27.1 (20.7)	1.02 (26)	0.97 (24.6)	\$4,565.00
P490H	15.7 (59.4)	2030 (140)	1450	22.0 (16.4)	1.18 (30)	0.79 (20)	\$4,090.00
P490H-7000	15.7 (59.4)	2030 (140)	1450	22.0 (16.4)	1.18 (30)	0.79 (20)	\$4,865.00
P470H	18.4 (69.7)	2030 (140)	1450	25.7 (19.2)	1.18 (30)	0.94 (24)	\$4,090.00
P470H-7000	18.4 (69.7)	2030 (140)	1450	25.7 (19.2)	1.18 (30)	0.94 (24)	\$4,865.00

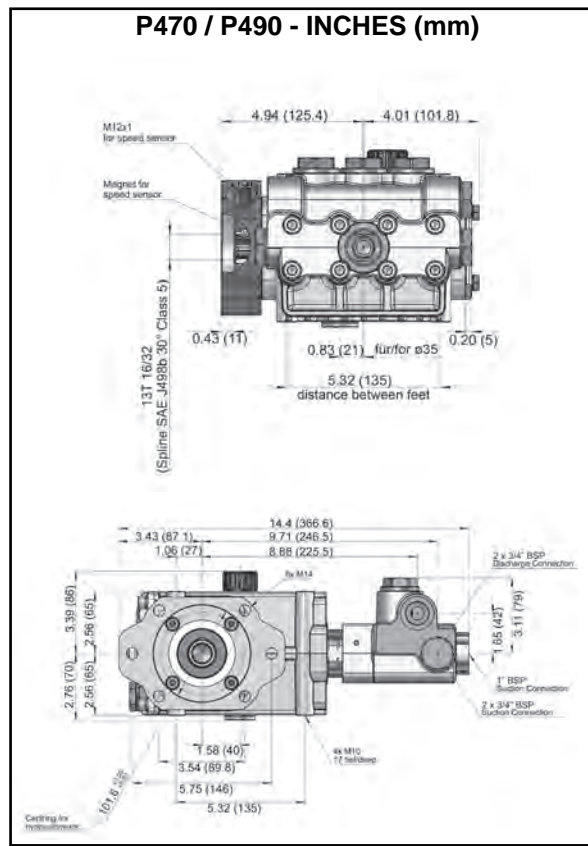
Common Specifications & Materials

	U.S.	(Metric)
Max Inlet Temp	160 °F	(70 °C)
Weight	39.7 lbs.	(18 kg)
Inlet Port	(2) 3/4" & 1" BSP	
Discharge Port	(2) 3/4" BSP	
Manifold (P470/P490/P426)	Brass	
Manifold (P470/P490-7000)	Nickel-Plated Brass	
Plunger	Solid ceramic oxide	
Valves	Stainless Steel	
Seals	Nitrile with fabric reinforcing	
Crankcase	Aluminum	



Repair Kits

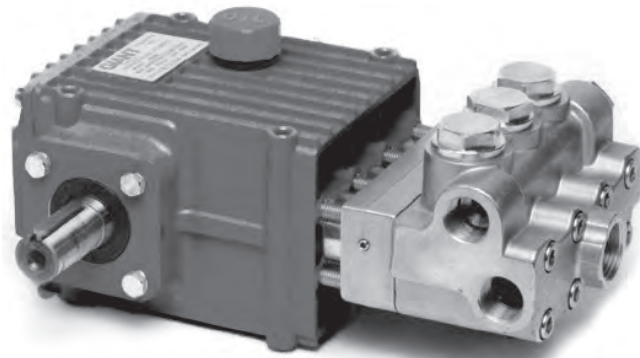
Kit	Part Number	List Price
Plunger Packing Kits:		
(P426)	09829	\$284.58
(P470/P490)	09565	\$378.72
Valve Kits:		
(P426)	09724	\$634.13
(P470/P490)	09566	\$805.92
Oil Seal Kits:		
(P426)	09641	\$24.48
(P470/P490)	09306	\$35.85
Anti-Seize	03325	\$7.22



Model	Flow	Pressure	Speed	Power Required	Plunger Diameter	Stroke	Price
	GPM (LPM)	PSI (Bar)	RPM	HP (kW)	in (mm)	in (mm)	
P423HP	8.2 (31.1)	4060 (280)	1450	22.9 (17.1)	0.87 (22)	0.79 (20)	\$3,585.00
P422HP	9.9 (37.3)	4060 (280)	1450	27.6 (20.6)	0.87 (22)	0.94 (24)	\$3,585.00
P425HP	10.7 (40.6)	3045 (210)	1450	22.5 (16.8)	0.98 (25)	0.79 (20)	\$3,585.00
P420HP	13.0 (48.8)	3045 (210)	1450	27.1 (20.2)	0.98 (25)	0.94 (24)	\$3,585.00
P426HP	14.3 (54.0)	2900 (200)	1450	28.6 (21.3)	1.02 (26)	0.97 (24.6)	\$4,240.00

Common Specifications & Materials

	U.S.	(Metric)
Max Inlet Temp	160 °F	(70 °C)
Weight	42 lbs.	(19 kg)
Inlet Port	(1) 1" BSP, (2) 3/4" BSP	
Discharge Port	(2) 3/4" BSP	
Materials Used		
Manifold	Forged Brass	
Plunger	Solid ceramic oxide	
Valves	High Grade Stainless Steel	
Seals	Nitrile with fabric reinforcing	
Crankcase	Aluminum	



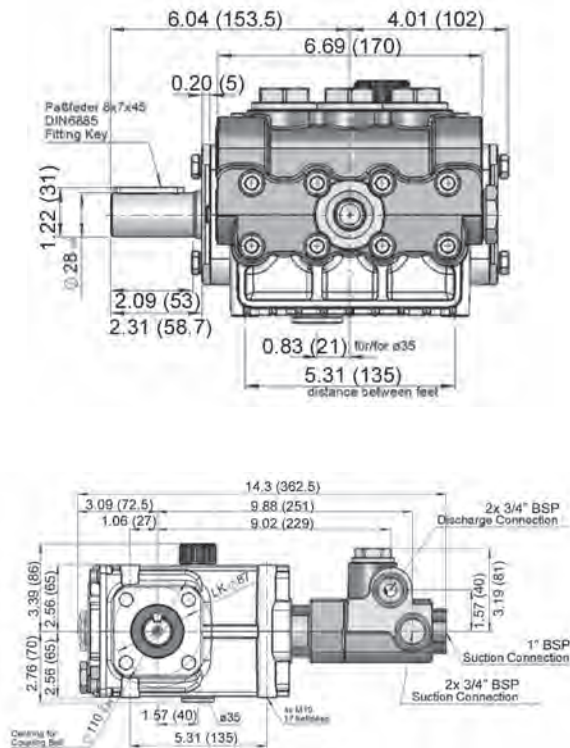
Repair Kits

Kit	Part Number	List Price
Plunger Packing Kit (P422HP, P423HP)	09722	\$317.05
Plunger Packing Kit (P420HP, P425HP)	09723	\$219.40
Valve Kits	09724	\$634.13
Oil Seal Kit	09641	\$24.48

Mounting Accessories

	Part Number	List Price
Bushings		
28mm Tapered H Bushing	07175	\$24.20
Pulleys		
9.75" Cast Iron 2 gr. -AB	01055	\$324.65
7.75" Cast Iron 2 gr. -AB	01062	\$274.20
Plated Steel Channel Rails		
(L=9.18"xW=1.88"xH=3.00")	07358	\$76.65
Direct Drive Accessories: see page 29		

P400HP Series - INCHES (mm)



P400 Series

Direct Drive Accessories

Electric Drive

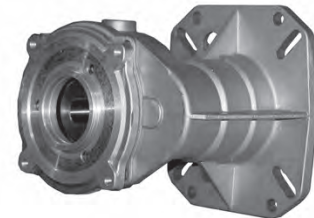
Part Number	Connection to Electric Motor Type	List Price
08595	P400 Series to 182TC, 184TC, 213TC, 215TC frames	\$152.71
09658	Electric Motor Adapting Kit for P400 to 254/254TC	\$338.28
03216	P400 to Nema 284/286TC frames	\$1,997.55
05723	300mm (OD), 265mm (bore circle), Motor Size=132	\$720.00
04037	350mm (OD), 300mm (bore circle), Motor Size=160-180	\$740.00



06495 or 06578

Gas Drive

Part Number	Connection to Engine Type	List Price
08498-1.0	2.176:1, 1" Bore 17.4 HP	\$585.00
08498-1.1	2.176:1, 1-1/8" Bore 17.4 HP	\$585.00
08980-1.0	2.176:1, 1" Bore	\$630.00
08980-1.8	2.176:1, 1-1/8" Bore	\$630.00
08981-1.8	2.176:1, 1-1/8" Bore, 31HP	\$630.00



One-Piece Couplings

Item	Description	List Price
04555-XX	Aluminum Coupler, 28mm x 1-1/8" to 1-5/8"	\$62.50



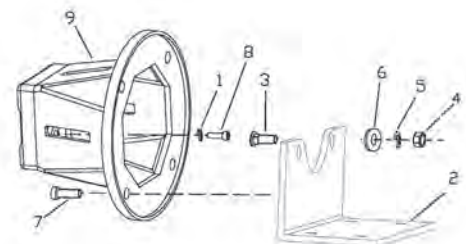
L-Jaw Coupler Sets

Part Number	Size	Bore Diameters	Weight lbs. (kg)	List Price
03400-L110-28-1.38	L110	28mm x 1-3/8"	5.95 (2.7)	\$733.55
03400-L110-28-1.58	L110	28mm x 1-5/8"	5.95 (2.7)	\$722.70
03400-L150-28-1.78	L150	28mm x 1-7/8"	7.9 (3.6)	\$907.45
03400-L099-28-1.18	L099	28mm x 1-1/8"	2.25 (1.0)	\$456.45
03400-L110-28-1.18	L110	28mm x 1-1/8"	2.5 (1.1)	\$760.70
03400-L150-28-0.58	L150	28mm x 5/8"	2.8 (1.3)	\$260.95
03400-L110-28-0.58	L110	28mm x 5/8"	2.8 (1.3)	\$372.95



Hydraulic Drive

Part Number	Hydraulic Kit	List Price
HK-P400	Hydraulic Motor Kit for P400 Series Pumps w/SAE 2B motor - 2 Bolt	\$411.05
HKA-P400	Small Hydraulic Motor Kit for P400 Series Pumps w/SAE 2B - 2 Bolt	\$264.40
HK-P400-SAE-C-4	Hydraulic Motor Kit for P400 Series Pumps w/SAE C motor - 4 Bolt	\$788.25



P46W, P47, P48 & P49

Model	Flow	Pressure	Speed	Power Required	Plunger Diameter	Stroke	Price
	GPM (LPM)	PSI (Bar)	RPM	HP (kW)	in (mm)	in (mm)	
P48	0.82 (3.1)	3000 (200)	1420	1.7 (1.3)	0.47 (12)	0.49 (12.4)	\$1,450.00
P47	1.2 (4.7)	3000 (200)	1420	2.5 (1.9)	0.47 (12)	0.49 (12.4)	\$1,950.00
P49	2.7 (10.2)	2200 (150)	1420	4.1 (3.1)	0.71 (18)	0.41 (10.0)	\$1,450.00
P46W*	3.9 (14.7)	2200 (150)	1420	6.0 (4.5)	0.71 (18)	0.56 (14.1)	\$1,185.00

*P46W-0020 - Includes Teflon V-Sleeves - \$1,730.00

Common Specifications & Materials

	U.S.	(Metric)
Max Inlet Temp	160 °F	(70 °C)
Weight	13.9 lbs.	(6.3 kg)
Inlet Port	(2) 1/2" BSP	
Outlet Port	(2) 3/8" BSP	
Materials Used		
Plunger	Solid ceramic oxide	
Valves	High Grade Stainless Steel	
Seals	Nitrile with fabric reinforcing	
Crankcase	Aluminum	



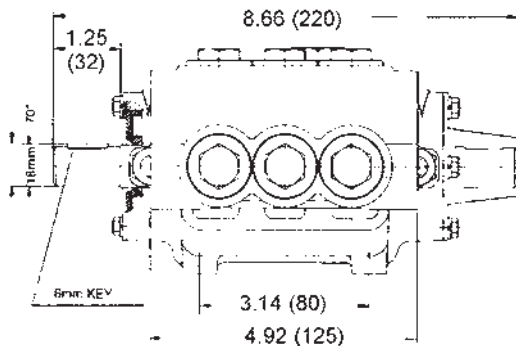
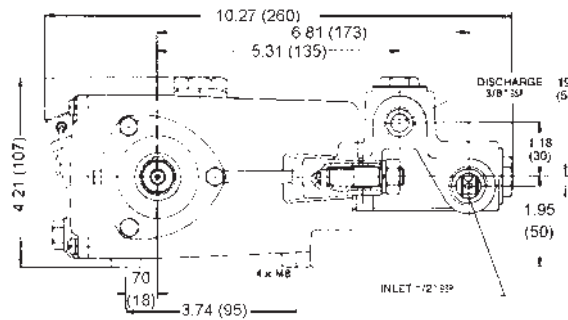
Repair Kits

Kit	Part Number	List Price
<u>Plunger Packing Kit:</u>		
P46W/P49	09038	\$88.37
P47/P48	09758	\$171.91
<u>Weep Return Kit</u>		
P46W/P49	09081	\$197.21
<u>Valve Kit</u>		
P46W/P49	09039	\$203.72
P47/P48	09759	\$202.00
Oil Seal Kit (P47/P48)	09314	\$89.90

Mounting Accessories

	Part Number	List Price
Bushings		
18mm Tapered H Bushing	01065	\$28.30
Pulley & Sheaves		
7.75" Cast Iron 1 gr.-AB Section	01061	\$131.85
18mm - 8" Steel Pulley 1 gr.	01066	\$87.15
Steel Box Rails		
(L=9.25"xW=1.18"xH=1.62")	01034	\$173.90
Plated Steel Channel Rails		
(L=9.00"xW=2.12"xH=2.50")	01075	\$86.70
Bell Housing		
to 56C Face	01165	\$32.60
to 182/184/213/215TC Face	01168	\$32.60

P46/P47/P49 - INCHES (mm)



Model	Flow	Pressure Continuous/ Intermittent	Speed Continuous/ Intermittent	Power Required	Plunger Diameter	Price
	GPM (LPM)	PSI (Bar)	RPM	HP (kW)	in (mm)	
<i>P57</i>	1.3 (5.1)	5000 (350) / 6525 (450)	1420	5.9 (4.4)	0.47 (12)	\$5,795.00
<i>P57-0011</i>	1.3 (5.1)	5000 (350) / 6525 (450)	1420	5.9 (4.4)	0.47 (12)	\$6,095.00
<i>P57-0021</i>	1.3 (5.1)	5000 (350) / 6525 (450)	1420	5.9 (4.4)	0.47 (12)	\$6,095.00

Common Specifications & Materials

	U.S.	(Metric)
Stroke	0.56"	14.1 mm
Max Inlet Temp	160 °F	(71 °C)
Weight	17.2 lbs	(7.8 kg)
Inlet Port	(2) 1/2" BSP	
Discharge Port	(2) 3/8" BSP	

Materials Used

Manifold	Special Brass
Plunger	Solid ceramic oxide
Valves	High Grade Stainless Steel
Seals (P57)	Nitrile with fabric reinforcing
Seals (P57-0011)	Viton
Crankcase	Aluminum



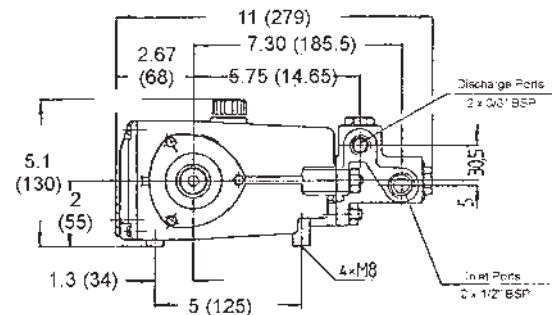
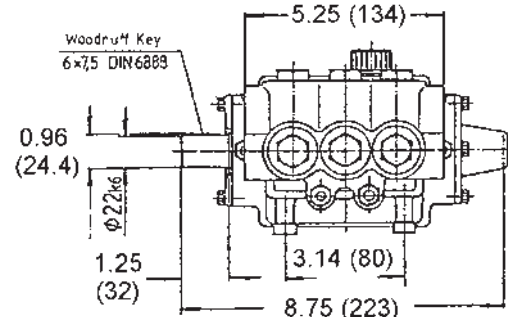
Repair Kits

Kit	Part Number	List Price
Plunger Packing Kits:		
(P57)	09313	\$159.29
(P57-0011)	09313-0011	\$467.10
Valve Kit	09315	\$166.89
Oil Seal Kit	09314	\$89.90

Mounting Accessories

	Part Number	List Price
Bushings		
22mm Tapered H Bushing	01056	\$28.30
7.75" Cast Iron 1 gr.-AB Section	01061	\$131.85
7.75" Cast Iron 2gr.-AB Section	01062	\$274.20
Steel Box Rails (L=9.25"xW=1.18"xH=1.62")		
	01034	\$173.90
Plated Steel Channel Rails (L=9.00"xW=2.12"xH=2.50")		
	01075	\$86.70
Direct Drive Accessories: see page 34		

P57 DIMENSIONS - INCHES (mm)



Model	Flow Continuous/ Intermittent	Pressure Continuous/ Intermittent	Speed Continuous/ Intermittent	Power Required	Plunger Diameter	Price
	GPM (LPM)	PSI (Bar)	RPM	HP (kW)	in (mm)	
P54	4.0 (15.1) / 4.8 (18.2)	4060 (280) / 3300 (230)	1450 / 1750	11.0 (8.2)	0.63 (16)	\$1,845.00
P58*	5.0 (18.9) / 6.0 (22.7)	3500 (240) / 3000 (200)	1450 / 1750	12.1 (9.0)	0.71 (18)	\$1,845.00
P59*	7.5 (28.3) / 9.0 (32.8)	1900 (130) / 1000 (70)	1450 / 1750	9.8 (7.3)	0.87 (22)	\$1,845.00

*P58W-0011 - Includes Viton Seals and Packing - \$2,570.00

*P59W-0021 - Includes Teflon Seals/Viton O-Rings - \$2,485.00

Common Specifications & Materials

	U.S.	(Metric)
Stroke	0.71"	18.1 mm
Max Inlet Temp	140 °F	(60 °C)
Weight (Pump only)	19.4 lbs	(8.8 kg)
Weight (Pump w/gearbox)	26 lbs	(12 kg)
Inlet Port (P54 & P58)	(1) 1/2" ... (2) 3/8" BSP	
Inlet Port (P59)	(1) 3/4" ... (2) 1/2" BSP	
Discharge Port (P54 & P58)	(2) 3/8" BSP	
Discharge Port (P59)	(2) 1/2" BSP	

Materials Used

Manifold	Special Brass
Plunger	Solid ceramic oxide
Valves	High Grade Stainless Steel
Seals	Nitrile with fabric reinforcing
Crankcase	Aluminum



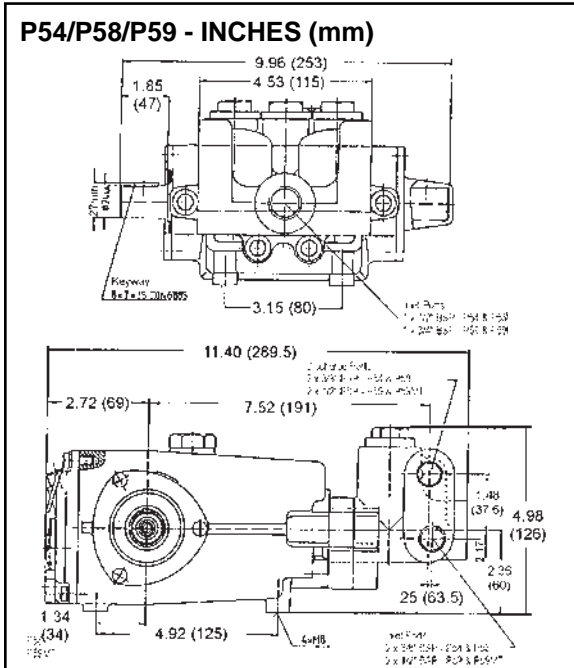
Repair Kits

Kit	Part Number	List Price
Plunger Packing Kit (P54W)	09167	\$215.67
Plunger Packing Kit (P58W)	09238	\$102.23
Plunger Packing Kit (P59W)	09317	\$266.63
Valve Kit (P54W & P58W)	09168	\$236.71
Valve Kit (P59)	09318	\$151.61
Oil Seal Kit	09202	\$87.69

*Pump w/gearbox designed for 2:176 reduction from engine speed of 3500 RPM

Mounting Accessories

	Part Number	List Price
Bushings		
24mm Tapered H Bushing	01074	\$28.80
7.75" Cast Iron 1 gr.-AB Section	01061	\$131.85
7.75" Cast Iron 2gr.-AB Section	01062	\$274.20
Steel Box Rails (L=9.25"xW=1.18"xH=1.62")	01034	\$173.90
Plated Steel Channel Rails (L=9.00"xW=2.12"xH=2.50")	01075	\$86.70
Direct Drive Accessories: see page 34		



Model	Flow Continuous/ Intermittent	Pressure Continuous/ Intermittent	Speed Continuous/ Intermittent	Power Re- quired	Plunger Diameter	Price
	GPM (LPM)	PSI (Bar)	RPM	HP (kW)	in (mm)	
P55W	4.9 (18.5) / 6.0 (22.7)	2320 (160) / 1000 (70)	1420 / 1750	7.8 (5.8)	0.71 (18)	\$1,785.00
P56W*	6.1 (23.0) / 7.5 (28.4)	1900 (131) / 1000 (70)	1420 / 1750	8.0 (6.0)	0.79 (20)	\$1,785.00

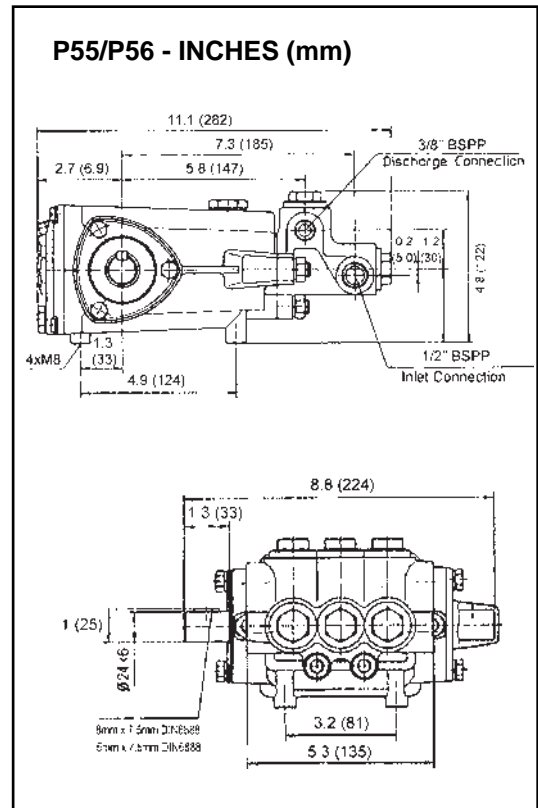
*P56W-0011- Includes Viton Seals and Packing - \$2,510.00
 P56W-0021- Includes Teflon Seals/Viton O-Rings - \$2,510.00
 P56W-0121- Includes Teflon Seals/Viton O-Rings/316 SS Internal Metal Parts - \$2,510.00

Common Specifications & Materials		
	U.S.	(Metric)
Stroke	0.71"	18.1 mm
Max Inlet Temp	160 °F	(70 °C)
Max Inlet Temp	190 °F	(88 °C)
Weight	17.2 lbs.	(7.8 kg)
Inlet Port	(2) 1/2" NPT	
Discharge Port	(2) 3/8" NPT	
Materials Used		
Manifold	Special Brass	
Plunger	Solid ceramic oxide	
Valves	High Grade Stainless Steel	
Seals	Nitrile with fabric reinforcing	
Crankcase	Aluminum	



Repair Kits		
Kit	Part Number	List Price
Plunger Packing Kit (P55W)	09089	\$196.11
Plunger Packing Kit (P56W)	09061	\$206.89
Valve Kit	09041	\$205.43
Oil Seal Kit	09202	\$87.69

Mounting Accessories		
	Part Number	List Price
Bushings		
24mm Tapered H Bushing	01074	\$28.80
Pulley & sheaves		
9.75" Cast Iron		
2 gr.-AB Section	01055	\$324.65
7.75" Cast Iron		
1 gr.-AB Section	01061	\$131.85
7.75" Cast Iron		
2 gr. - AB Section	01062	\$274.20
Steel Box Rails		
(L=9.25"xW=1.18"xH=1.62")	01034	\$173.90
Plated Steel Channel Rails		
(L=9.00"xW=2.12"xH=2.50")	01075	\$86.70
Direct Drive Accessories: see page 34		



P54-P59 Pumps

Direct Drive Accessories

Electric Drive

Part Number	Connections to Electric Motor Type	List Price
01156	Mounting Flange to 56C frames	\$28.30
06578	Bell Housing to 182TC, 213TC, 215TC frames	\$63.08
09821	Electric Motor Adapting Kit to 254/256TC	\$338.28



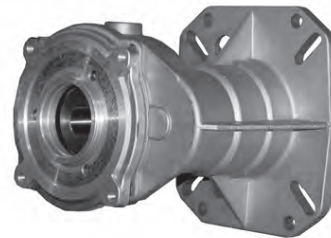
01156



06578

Gas Drive

Part Number	Connections to Engine Type	List Price
	Gear Boxes for	
08495B	P54, P58 & P59; 2.176:1, 1" Bore, 18 HP	\$635.00
08495B-1.1	P54-P59; 2.176:1, 1-1/8" Bore, 18HP	\$635.00



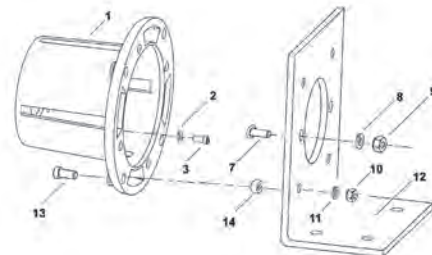
L-Jaw Coupler Sets

Part Number	Size	Bore Diameters	Weight lbs. (kg)	List Price U.S \$
03400-L099-24-1	L099	24mm x 1"	2.25 (1.0)	\$451.00
03400-L099-24-1.18	L099	24mm x 1-1/8"	2.25 (1.0)	\$451.00
03400-L100-24-1	L100	24mm x 1"	2.8 (1.3)	\$537.95
03400-L100-24-1.18	L100	24mm x 1-1/8"	2.8 (1.3)	\$537.95
03400-L100-24-1.38	L100	24mm x 1-3/8"	2.8 (1.3)	\$532.50
03400-L099-24-0.58	L099	24mm x 5/8"	2.8 (1.3)	\$451.00
03400-L099-24-0.75	L099	24mm x 3/4"	2.8 (1.3)	\$451.00
03400-L099-24-0.78	L099	24mm x 7/8"	2.8 (1.3)	\$451.00
03400-L099-24-24	L099	24mm x 24mm	2.8 (1.3)	\$451.00



Hydraulic Drive

Part Number	Hydraulic Kits	List Price
HK-P54/9	Hydraulic Motor Kit - 2 Bolt	\$182.80
HK-P54/59-1	Hydraulic Motor Kit with 1/4" Keyway - 2 Bolt	\$187.85



Model	Flow	Pressure	Speed	Power Required	Plunger Diameter	Price
	GPM (LPM)	PSI (Bar)	RPM	HP (kW)	in (mm)	
SP351W	6.7 (25.2)	3200 (220)	1420	14.7 (11.0)	0.79 (20)	\$3,345.00
SP200W	9.6 (36.2)	2175 (150)	1420	14.4 (10.7)	0.94 (24)	\$3,740.00
SP100W*	11.2 (42.5)	1885 (130)	1420	14.6 (10.9)	1.02 (26)	\$3,345.00

*SP100W-0011- Includes Viton Seals and Packing - \$4,245.00

Common Specification and Materials

	U.S.	(Metric)
Stroke	0.79"	(20 mm)
Max Inlet Temp	160 °F	(70 °C)
Weight	41.9 lbs	(19 kg)
Inlet Port	(2) 3/4" NPT	
Discharge Port	(2) 1/2" NPT	

Materials Used

Manifold	Brass
Plunger	Solid ceramic oxide
Valves	High Grade Stainless Steel
Seals	Nitrile with fabric reinforcing
Crankcase	Aluminum



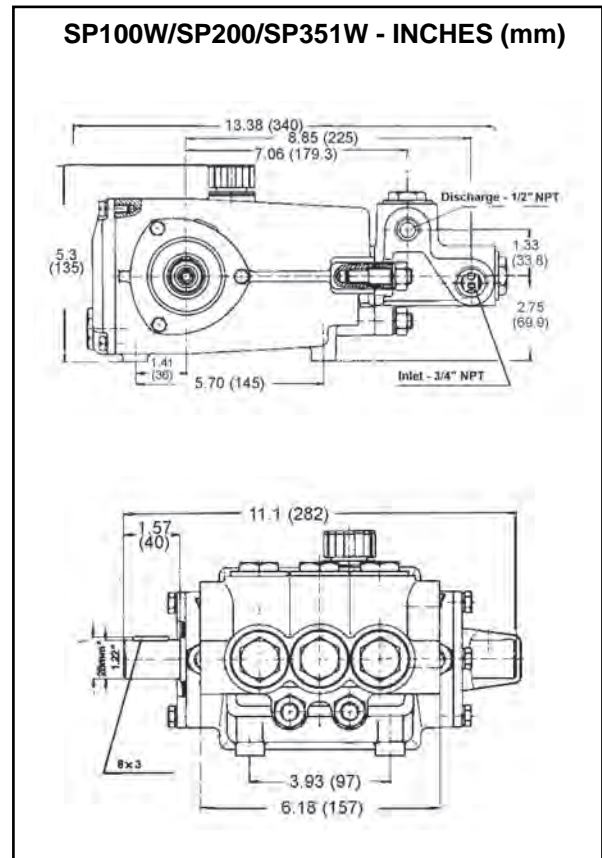
Repair Kits

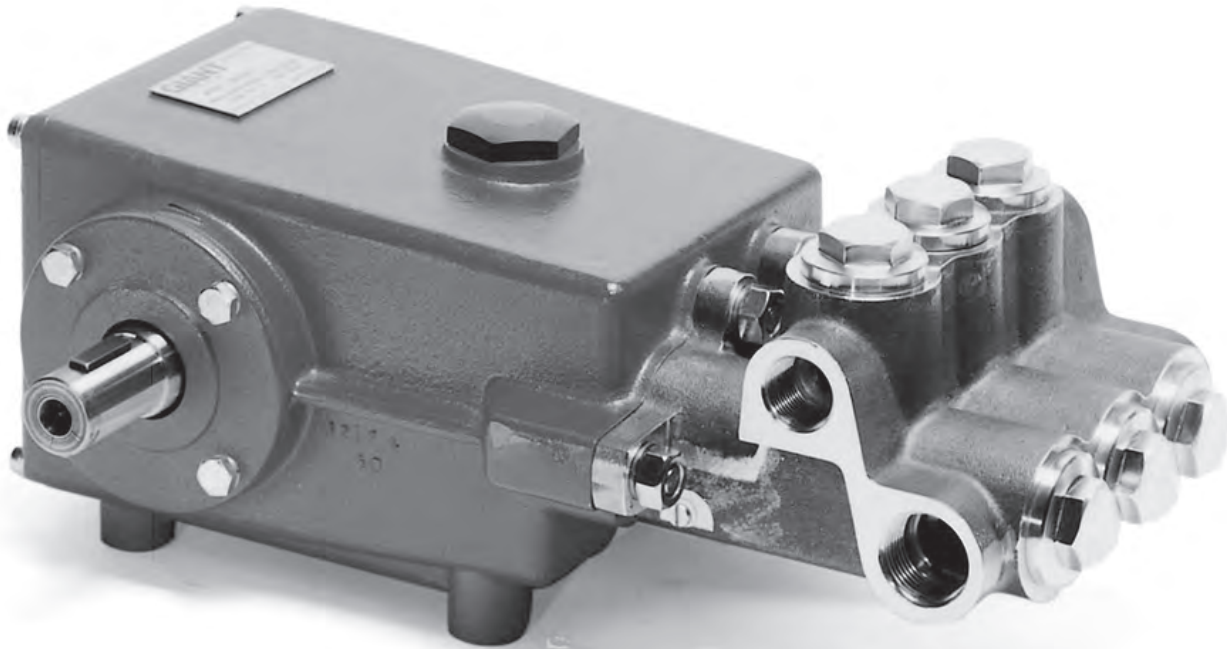
Kit	Part Number	List Price
<u>Plunger Packing Kit</u>		
(SP100)	09077	\$204.96
(SP200)	09798	\$239.11
(SP351)	09076	\$183.26
Valve Kit	09069	\$305.15

Mounting Accessories

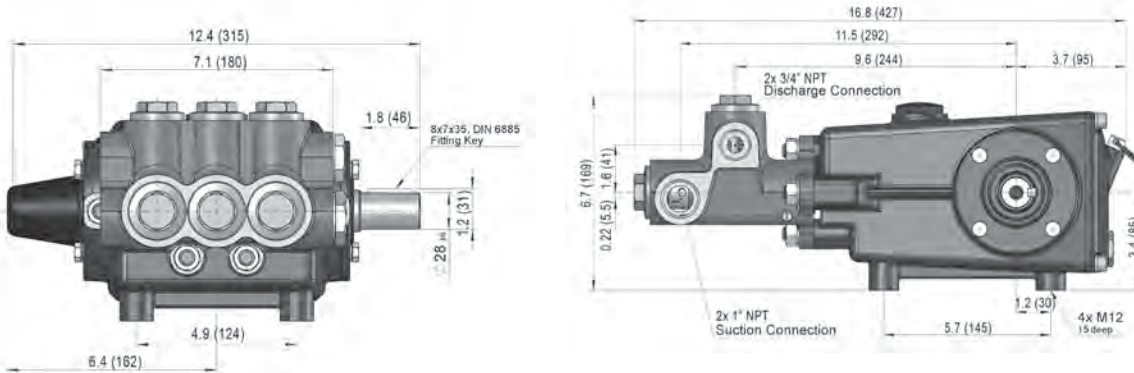
	Part Number	List Price
Bushings		
28mm Tapered H Bushing	07175	\$24.20
Pulley & sheaves		
9.75" Cast Iron 2 gr.-AB Section	01055	\$324.65
7.75" Cast Iron 2gr.-AB Section	01062	\$274.20
Plated Steel Channel Rails		
(L=9.18"xW=1.88"xH=3.00")	07358*	\$76.65
Bell Housing to 184T Electric	08899	\$173.90
Hydraulic Kit to SAE 2B	HK-SP-BP100	\$404.75

* Commercial Discount





MP SERIES - INCHES (mm)



Model	Flow	Pressure Continuous/ Intermittent	Speed	Power Required	Plunger Diameter	Stroke	Price
	GPM (LPM)	PSI (Bar)	RPM	HP (kW)	in (mm)	in (mm)	
MP4120	8.9 (33.8)	3625 (250)	1450	23.1 (17.2)	0.79 (20)	1.02 (26)	\$6,315.00
MP4124	12.8 (48.6)	2610 (180) / 3000 (205)	1450	24.0 (17.9)	0.95 (24)	1.02 (26)	\$6,315.00
MP4135	13.5 (51.2)	1885 (130)	1100	18.2 (13.6)	1.10 (28)	1.02 (26)	\$5,740.00
MP4130	15.4 (58.2)	1600 (110) / 2000 (140)	1100	17.6 (13.1)	1.18 (30)	1.02 (26)	\$6,070.00
MP4126	17.9 (67.7)	1600 (110)	1100	20.4 (15.2)	1.18 (30)	1.18 (30)	\$5,740.00

Common Specification and Materials

	U.S.	(Metric)
Max Inlet Temp	160 °F	(70 °C)
Weight	66 lbs	(30 kg)
Inlet Port	(2) 1" NPT	
Discharge Port.....	(2) 3/4" NPT	

Materials Used

Manifold	Bronze
Plunger	Solid ceramic oxide
Valves	High Grade Stainless Steel
Seals.....	Nitrile with fabric reinforcing
Crankcase	Spheroidal Cast Iron

Repair Kits

Kit	Part Number	List Price
Plunger Packing Kit (MP4120)	09044	\$213.39
Plunger Packing Kit (MP4124)	09300	\$268.64
Plunger Packing Kit (MP4126/MP4130)	09042	\$216.94
Plunger Packing Kit (MP4135)	09665	\$239.87
Valve Repair Kit (MP4120)	09802	\$710.58
Valve Repair Kit (MP4124)	09803	\$676.07
Valve Repair Kit (MP4126/MP4135)	09809	\$676.94
Valve Repair Kit (MP4130)	09810	\$711.56

Mounting Accessories

	Part Number	List Price
Bushings		
28mm Tapered H Bushing	07175*	\$24.20
Pulley & sheaves		
9.75" Cast Iron 2 gr.-AB Section	01055*	\$324.65
7.75" Cast Iron 2gr.-AB Section	01062*	\$274.20
Plated Steel Channel Rails		
(L=9.18"xW=1.88"xH=3.00")	07358*	\$76.65
Bell Housing		
256TC Motor	06518	\$519.35
SAE-C Motor	04760	\$820.00
Hydraulic Kits		
SAE 2B Motor	HK-MP	\$581.40
SAE C Motor	HK-MP-C	\$461.85

* Commercial Discount

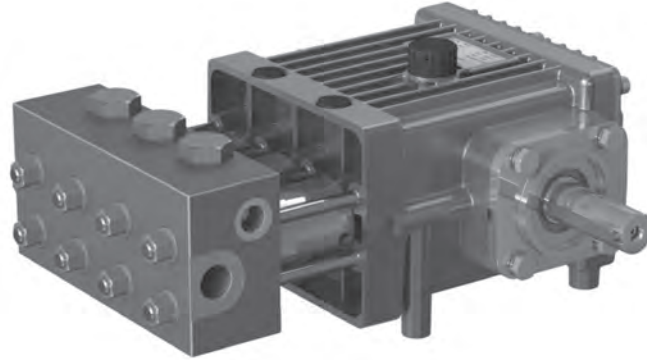
Model	Flow	Pressure	Speed	Power Required	Plunger Diameter	Stroke	Price
	GPM (LPM)	PSI (Bar)	RPM	HP (kW)	in (mm)	in (mm)	
P518	7.4 (28)	7250 (500)	1450	38.3 (28.6)	0.71 (18)	1.10 (28)	\$8,485.00

Common Specifications & Materials

	U.S.	(Metric)
Max Inlet Temp.....	104 °F	(40 °C)
Weight	73.8 lbs	(33.5 kg)
Inlet Port.....	(2) 1/2" BSP	
Discharge Port	(2) 3/4" BSP	

Materials Used

Manifold.....	Stainless Steel
Plunger.....	Hard Metal Coating
Valves.....	High Grade Stainless Steel
Seals	Nitrile with fabric reinforcing
Crankcase	Aluminum

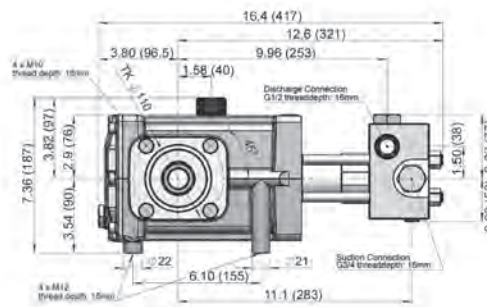
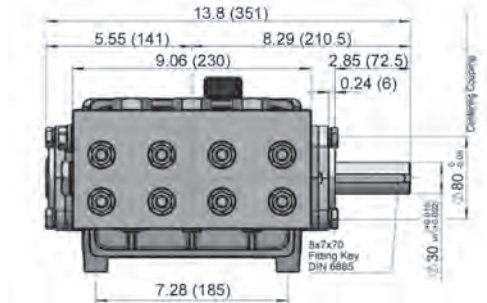


Mounting Accessories

	Part Number	List Price
Plated Steel Channel Rails (L=9.18"xW=1.88"xH=3.00")	07358*	\$76.65
Hydraulic Kit w/SAE-C Motor	HK-P500-SAE-C-4	\$809.65
Bell Housing SAE-C Motor (4-Bolt)	04760	\$820.00

* Commercial Discount

**P518 DIMENSIONS
INCHES (mm)**



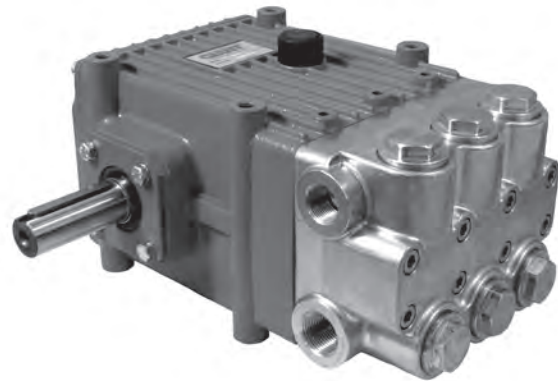
Model	Flow	Pressure	Speed	Power Required	Plunger Diameter	Stroke	Price
	GPM (LPM)	PSI (Bar)	RPM	HP (kW)	in (mm)	in (mm)	
P533	22.7 (86.0)	2175 (150)	1450	34.1 (25.4)	1.26 (32)	1.02 (26)	\$7,265.00
P532	24.4 (92.5)	2175 (150)	1450	36.6 (27.3)	1.26 (32)	1.10 (28)	\$7,265.00
P536	26.4 (100)	1740 (120)	1450	31.6 (23.6)	1.42 (36)	0.95 (24)	\$7,265.00

Common Specifications & Materials

	U.S.	(Metric)
Max Inlet Temp.....	104 °F	(40 °C)
Weight.....	64 lbs	(29 kg)
Inlet Port.....	(2) 1" BSP	
Discharge Port.....	(2) 3/4" BSP	

Materials Used

Manifold.....	Brass
Plunger.....	Solid ceramic oxide
Valves.....	High Grade Stainless Steel
Seals.....	Nitrile with fabric reinforcing
Crankcase.....	Aluminum



Repair Kits

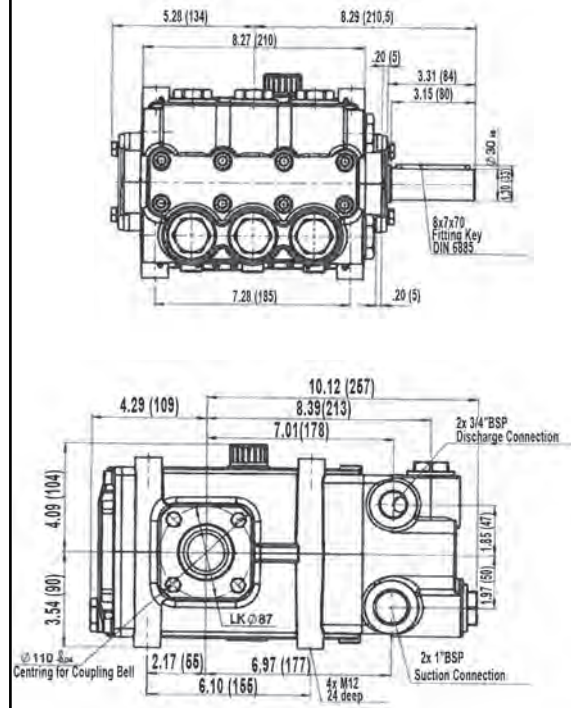
Kit	Part Number	List Price
Plunger Packing Kit		
(P532/P533)	09760	\$406.57
(P536)	09753	\$377.91
Valve Kit	09754	\$747.97
Oil Seal Kit	09755	\$127.28

Mounting Accessories

	Part Number	List Price
Plated Steel Channel Rails (L=9.18"xW=1.88"xH=3.00")		
	07358*	\$76.65
Hydraulic Kit w/SAE-C Motor		
	HK-P500-SAE-C-4	\$809.65
Bell Housing SAE-C Motor (4-Bolt)		
	04760	\$820.00

* Commercial Discount

P532/P533/P536 DIMENSIONS INCHES (mm)



Model	Flow	Pressure	Speed	Power Required	Plunger Diameter	Stroke	Price
	GPM (LPM)	PSI (Bar)	RPM	HP (kW)	in (mm)	in (mm)	
P540	35.4 (134)	1450 (100)	1450	35.3 (26.3)	1.57 (40)	1.02 (26)	\$8,095.00
P541	35.4 (134)	1450 (100)	1450	35.3 (26.3)	1.57 (40)	1.02 (26)	\$7,835.00

Common Specifications & Materials

	U.S.	(Metric)
Max Inlet Temp.....	104 °F	(40 °C)
Weight (P540).....	91.5 lbs	(41.5 kg)
Weight (P541).....	84.9 lbs	(38.5 kg)
Inlet Port.....	(2) 1-1/2" BSP	
Discharge Port.....	(2) 1" BSP	

Materials Used

Manifold (P540).....	Brass
Manifold (P541).....	Nickel-Plated Spheroidal Cast Iron
Plunger.....	Solid ceramic oxide
Valves.....	High Grade Stainless Steel
Seals.....	Nitrile with fabric reinforcing
Crankcase.....	Aluminum



Repair Kits

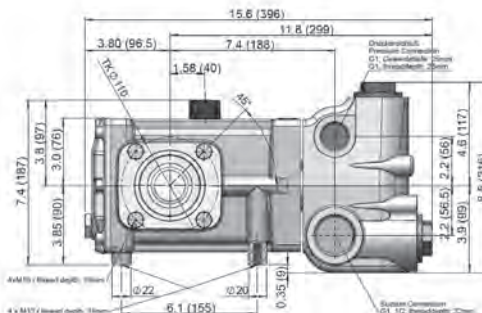
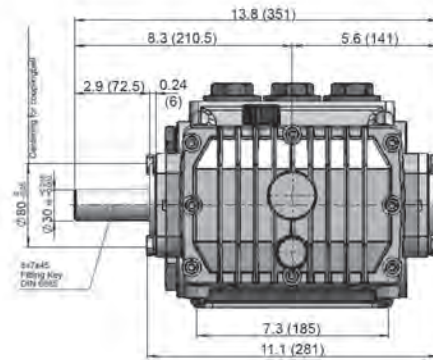
Kit	Part Number	List Price
Plunger Packing Kit	09776	\$390.63
Inlet Valve Kit	09777	\$447.01
Discharge Valve Kit	09778	\$475.11
Oil Seal Kit	09755	\$127.28

Mounting Accessories

	Part Number	List Price
Plated Steel Channel Rails (L=9.18"W=1.88"xH=3.00")	07358*	\$76.65
Hydraulic Kit w/SAE-C Motor	HK-P500-SAE-C-4	\$809.65
Bell Housing SAE-C Motor (4-Bolt)	04760	\$820.00

* Commercial Discount

P540/P541 DIMENSIONS - INCHES (mm)



LP Series

Industrial Pumps

Pages 42 - 54

Model	Flow	Pressure	Speed	Power Required	Plunger Diameter	Stroke	Price
	GPM (LPM)	PSI (Bar)	RPM	HP (kW)	in (mm)	in (mm)	
LP1000	3.4 (12.8)	15,000 (1000)	1000	36.4 (27.2)	0.47 (12)	1.65 (42)	\$19,460.00
LP800	4.6 (17.4)	11,600 (800)	1000	38.1 (28.4)	0.55 (14)	1.65 (42)	\$19,460.00
LP900	6.0 (22.8)	8700 (600)	1000	37.3 (27.8)	0.63 (16)	1.65 (42)	\$19,460.00

Common Specifications & Materials

	U.S.	(Metric)
Max Inlet Temp	104 °F	(40 °C)
Weight	115 lbs	(52 kg)
Inlet Port	(2) 1/2" BSP	
Discharge Port	(2) 3/8" BSP	
Materials Used		
Manifold	AISI 303 S.S.	
Plunger	Zirconia Ceramic Oxide	
Valves	Stainless Steel	
Seals	Aramid Packing	
Crankcase	Spheroidal Cast Iron	



Repair Kits

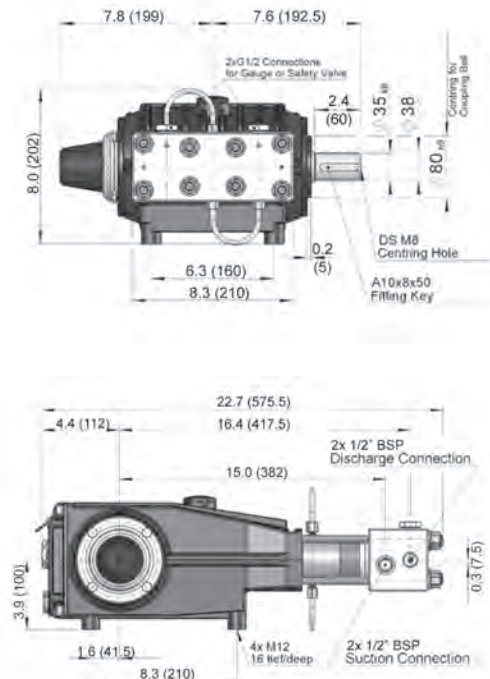
Kit	Part Number	List Price
Plunger Packing Kit:		
(LP1000)	09517	\$716.39
(LP800)	09618	\$626.84
(LP900)	09729	\$559.68
Valve Kit	09518	\$3,135.84
Oil Seal Kit	09577	\$48.07

Mounting Accessories

	Part Number	List Price
Bushings		
35mm H Bushing	06496*	\$139.95
Pulley & sheaves		
12.75" Cast Iron		
4gr. AB Section	07165*	\$190.30
Plated Steel Channel Rails		
L=11.75"		
W=1.88"		
H=3.00"	07357	\$151.95
Hydraulic Kit		
w/SAE-C Motor	HK-LP-SAE-C-4	\$809.65

* Commercial Discount

LP800/LP900/LP1000 - INCHES (mm)



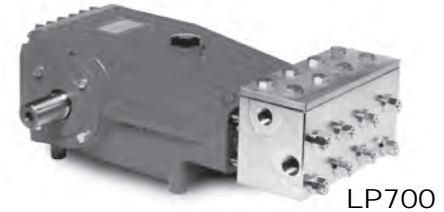
Model	Flow	Pressure	Speed	Power Required	Plunger Diameter	Stroke	Price
	GPM (LPM)	PSI (Bar)	RPM	HP (kW)	in (mm)	in (mm)	
LP700	7.9 (30)	7250 (500)	1000	39.8 (29.7)	0.71 (18)	1.65 (42)	\$15,525.00
LP750	7.9 (30)	7250 (500)	1000	39.8 (29.7)	0.71 (18)	1.65 (42)	\$13,350.00

Common Specifications & Materials

	U.S.	(Metric)
Max Inlet Temp	104 °F	(40 °C)
Weight	147 lbs	(66.5 kg)
Inlet Port	(2) 3/4" BSP	
Discharge Port	(2) 1/2" BSP	

Materials Used

Manifold (LP700)	AISI 303 S.S.
Manifold (LP750)	Forged Brass
Plunger	Stainless Steel/Hard Metal Coating
Valves	Stainless Steel
Seals	Nitrile with Fabric Reinforcing
Crankcase	Spheroidal Cast Iron



LP700



LP750

Repair Kits

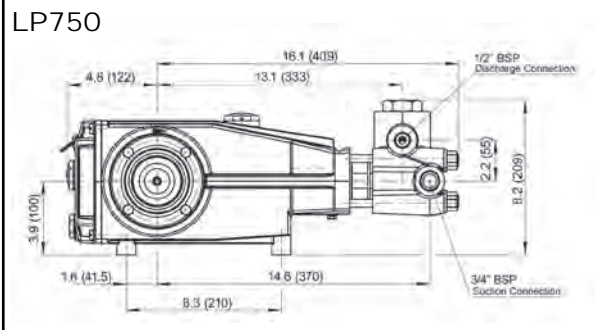
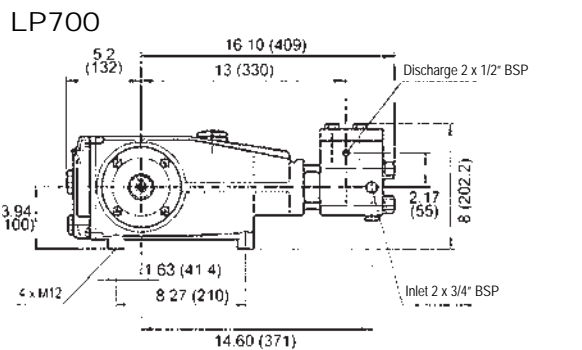
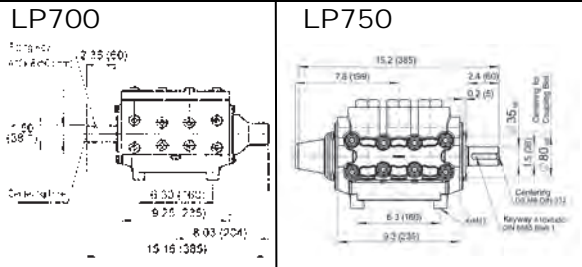
Kit	Part Number	List Price
Plunger Packing Kits:		
(LP700)	09736	\$997.51
(LP750)	09737	\$771.18
Valve Kit (LP700)	09491	\$2,485.58
Valve Kit (LP750)	09738	\$1,384.69
Oil Seal Kit	09577	\$48.07

Mounting Accessories

	Part Number	List Price
Bushings		
35mm H Bushing	06496*	\$139.95
Pulley & sheaves		
12.75" Cast Iron		
4gr. AB Section	07165*	\$190.30
Plated Steel Channel Rails		
L=11.75"		
W=1.88"		
H=3.00"	07357	\$151.95
Hydraulic Kit		
w/SAE-C Motor	HK-LP-SAE-C-4	\$809.65

* Commercial Discount

LP700/LP750 DIMENSIONS - INCHES (mm)



LP600 & LP600-4000

Model	Flow	Pressure	Speed	Power Required	Plunger Diameter	Stroke	Price
	GPM (LPM)	PSI (Bar)	RPM	HP (kW)	in (mm)	in (mm)	
LP600	9.8 (37.0)	6000 (400)	1000	38.8 (29.0)	0.79 (20)	1.65 (42)	\$10,990.00
LP600-4000	9.8 (37.0)	6000 (400)	1000	38.8 (29.0)	0.79 (20)	1.65 (42)	\$15,835.00

Common Specifications & Materials

	U.S.	(Metric)
Max Inlet Temp	140 °F	(60 °C)
Weight	119 lbs	(54 kg)
Inlet Port	(2) 1-1/4" BSP	
Discharge Port	(2) 1" BSP	
Materials Used		
Manifold	AISI 303 S.S.	
Plunger	Solid Ceramic Oxide	
Valves	Duplex Steel	
Seals	Nitrile with Fabric Reinforcing	
Crankcase	Spheroidal Cast Iron	

***LP600-4000 - All internal wet-end parts are at least 303 Stainless Steel.**



Repair Kits

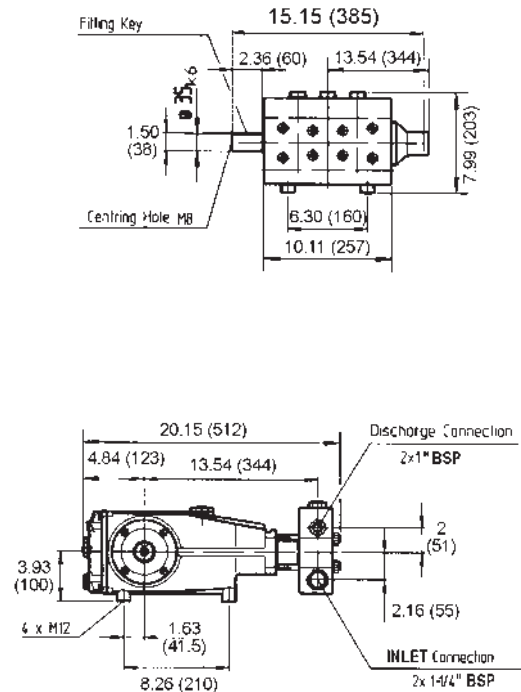
Kit	Part Number	List Price
Plunger Packing Kit (LP600)	09197	\$878.64
Plunger Packing Kit (LP600-4000)	09197-4000	\$937.65
Valve Kit (3)	09195	\$772.44
Oil Seal Kit	09577	\$48.07

Mounting Accessories

	Part Number	List Price
Bushings		
35mm H Bushing	06496*	\$139.95
Pulley & sheaves		
12.75" Cast Iron 4gr. AB Section	07165*	\$190.30
Plated Steel Channel Rails (L=11.75"xW1.88"xH=3.00")		
	07357	\$151.95
Hydraulic Kit w/SAE-C Motor		
	HK-LP-SAE-C-4	\$809.65

* Commercial Discount

LP600 DIMENSIONS - INCHES (mm)



Model	Flow	Pressure	Speed	Power Required	Plunger Diameter	Stroke	Price
	GPM (LPM)	PSI (Bar)	RPM	HP (kW)	in (mm)	in (mm)	
LP460	9.8 (37.0)	6000 (400)	1000	39.2 (29.2)	0.79 (20)	1.65 (42)	\$8,540.00
LP470	12.2 (46.0)	4640 (320)	1000	39.0 (29.1)	0.87 (22)	1.65 (42)	\$8,250.00

Common Specifications & Materials

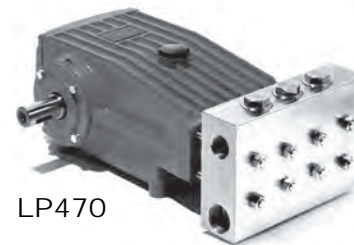
	U.S.	(Metric)
Max Inlet Temp (LP460)	104 °F	(40 °C)
Max Inlet Temp (LP470)	140 °F	(60 °C)
Weight	119 lbs	(54 kg)
Inlet Port	(2) 1-1/4" BSP	
Discharge Port.....	(2) 1" BSP	

Materials Used

Manifold (LP460)	Special Brass
Manifold (LP470)	Stainless Steel
Plunger	Solid Ceramic Oxide
Valves	Duplex Steel
Seals.....	Nitrile with Fabric Reinforcing
Crankcase	Spheroidal Cast Iron



LP460



LP470

Repair Kits

Kit	Part Number	List Price
Plunger Packing Kit:		
(LP460)	09743	\$840.69
(LP470)	09741	\$60.89
Valve Kit (LP460)	09744	\$2,446.27
Valve Kit (LP470)	09742	\$2,649.01
Oil Seal Kit	09577	\$48.07

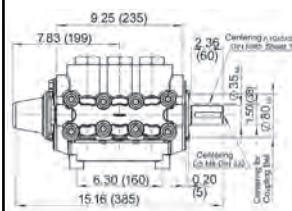
Mounting Accessories

	Part Number	List Price
Bushings		
35mm H Bushing	06496*	\$139.95
Pulley & sheaves		
12.75" Cast Iron		
4gr. AB Section	07165*	\$190.30
Plated Steel Channel Rails		
(L=11.75"xW1.88"xH=3.00")	07357	\$151.95
Hydraulic Kit		
w/SAE-C Motor	HK-LP-SAE-C-4	\$809.65

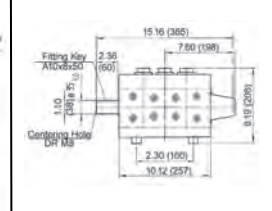
* Commercial Discount

LP460/LP470 DIMENSIONS - INCHES (mm)

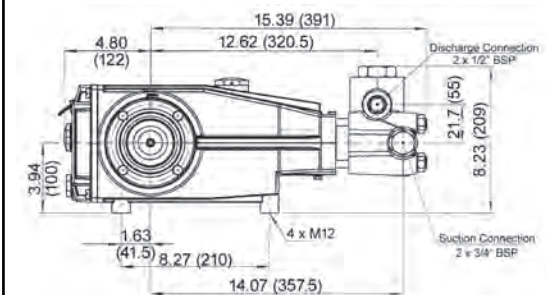
LP460



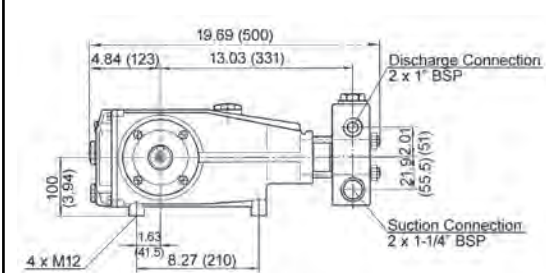
LP470



LP460



LP470



Model	Flow Continuous/ Intermittent	Pressure	Speed Continuous/ Intermittent	Power Required	Plunger Diameter	Stroke	Price
	GPM (LPM)	PSI (Bar)	RPM	HP (kW)	in (mm)	in (mm)	
LP605	10.6 (40.0)	6090 (420)	1100	44.5 (33.2)	0.79 (20)	1.65 (42)	\$9,420.00
LP305	15.9 (60.0) / 18.2 (69)	4060 (280)	1100 / 1245	51.0 (38.0)	0.95 (24)	1.65 (42)	\$9,420.00

Common Specifications & Materials

	U.S.	(Metric)
Max Inlet Temp	140 °F	(60 °C)
Weight	125 lbs	(56.5 kg)
Inlet Port	(2) 1" NPT	
Discharge Port	(2) 3/4" NPT	
Materials Used		
Manifold	AISI 303 S.S.	
Plunger	Solid ceramic oxide	
Valves	High Grade Stainless Steel	
Seals	Nitrile with fabric reinforcing	
Crankcase	Spheroidal Cast Iron	



Repair Kits

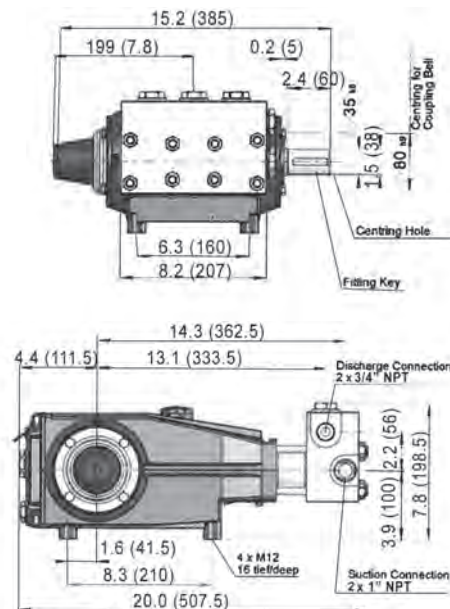
Kit	Part Number	List Price
Plunger Packing Kit:		
(LP305)	09789	\$226.63
(LP605)	09791	\$651.84
Valve Kit	09792	\$836.78
Oil Seal Kit	09577	\$48.07

Mounting Accessories

	Part Number	List Price
Bushings		
35mm H Bushing	06496*	\$139.95
Pulley & sheaves		
12.75" Cast Iron 4gr. AB Section	07165*	\$190.30
Plated Steel Channel Rails (L=11.75"xW1.88"xH=3.00")		
	07357	\$151.95
Hydraulic Kit w/SAE-C Motor		
	HK-LP-SAE-C-4	\$809.65

* Commercial Discount

LP605/LP305 DIMENSIONS - INCHES (mm)



Model	Flow Continuous/ Intermittent	Pressure	Speed Continuous/ Intermittent	Power Required	Plunger Diameter	Stroke	Price
	GPM (LPM)	PSI (Bar)	RPM	HP (kW)	in (mm)	in (mm)	
LP301A*	14.2 (53.6) 18.0 (68.1)	4000 (275)	1000 1268	39.2 (29.2) 49.7 (37.0)	0.95 (24)	1.65 (42)	\$9,900.00
LP301A-SSP	14.2 (53.6) 18.0 (68.1)	4000 (275)	1000 1268	39.2 (29.2) 49.7 (37.0)	0.95 (24)	1.65 (42)	\$10,455.00

* LP301A-0020- Includes Teflon V-Sleeves - \$11,590.00
 LP301A-0021- Includes Teflon Seals/Viton O-Rings - \$11,590.00
 LP301A-0056 - Includes Rope Packing/AFLAS O-Rings - \$15,215.00
 LP301A-0081 - Includes Viton O-Rings and Teflon/Nitrile Seals - \$11,590.00

Common Specifications & Materials

	U.S.	(Metric)
Max Inlet Temp	140 °F	(60 °C)
Weight	119 lbs	(54 kg)
Inlet Port	(2) 1-1/4" BSP	
Discharge Port.....	(2) 1" BSP	
Materials Used		
Manifold.....	AISI 303 S.S.	
Plunger (except-SSP).....	Solid ceramic oxide	
Plunger (-SSP)	Stainless Steel	
Valves	Duplex Steel	
Seals.....	Nitrile with fabric reinforcing	
Crankcase	Spheroidal Cast Iron	
*LP301-4000 - All internal wet-end parts are at least 303 Stainless Steel.		



Repair Kits

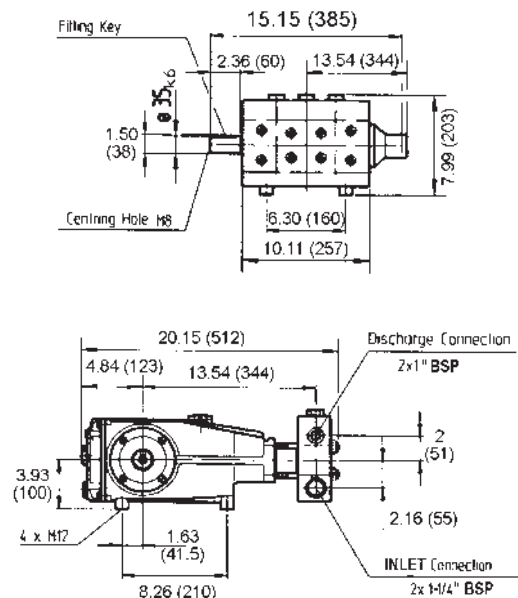
Kit	Part Number	List Price
Plunger Packing Kit:		
(LP301A)	09459	\$488.83
(LP301A-4000)	09459-4000	\$539.80
Valve Kit (3)	09196	\$492.36
Oil Seal Kit	09577	\$48.07

Mounting Accessories

	Part Number	List Price
Bushings		
35mm H Bushing	06496*	\$139.95
Pulley & sheaves		
12.75" Cast Iron 4gr. AB Section	07165*	\$190.30
Plated Steel Channel Rails (L=11.75"xW1.88"xH=3.00")		
	07357	\$151.95
Hydraulic Kit		
w/SAE-C Motor	HK-LP-SAE-C-4	\$809.65

* Commercial Discount

LP301 DIMENSIONS - INCHES (mm)



LP301AGB

Gearbox with Pinion Drive

Model	Flow Continuous/ Intermittent	Pressure	Speed Continuous/ Intermittent	Power Required	Plunger Diameter	Stroke	Price
	GPM (LPM)	PSI (Bar)	RPM	HP (kW)	in (mm)	in (mm)	
LP301AGB	14.2 (53.6) 18.0 (68.1)	4000 (275)	1000 1268	39.2 (29.2) 49.7 (37.0)	0.95 (24)	1.65 (42)	\$13,910.00

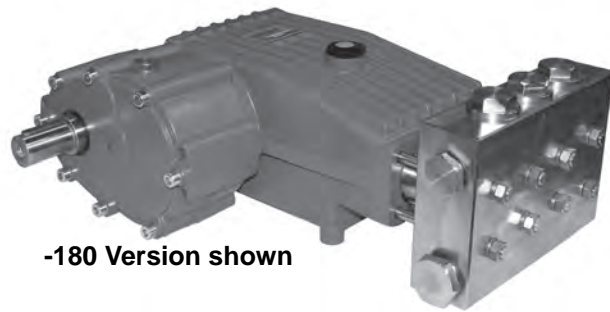
Common Specifications & Materials

	U.S.	(Metric)
Max Inlet Temp	140 °F	(60 °C)
Weight	172 lbs	(78 kg)
Inlet Port	(2) 1-1/4" BSP	
Discharge Port	(2) 1" BSP	

Materials Used

Manifold	AISI 303 S.S.
Plunger (except-SSP)	Solid ceramic oxide
Plunger (-SSP)	Stainless Steel
Valves	Duplex Steel
Seals	Nitrile with fabric reinforcing
Crankcase	Spheroidal Cast Iron

Gear Ratio **2.0:1**



-180 Version shown

Available Gearbox orientations -
90°, 180° and 270° positions

Repair Kits

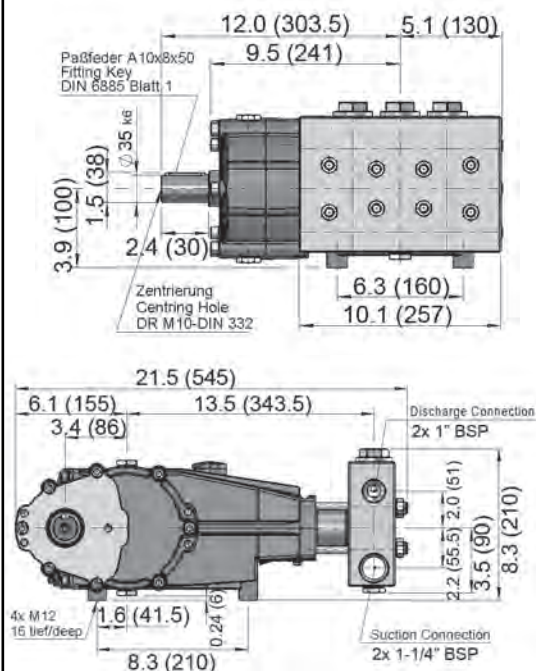
Kit	Part Number	List Price
Plunger Packing Kit	09459	\$488.83
Valve Kit (3)	09196	\$492.36
Valve Kit (6)	09196A	\$984.72
Oil Seal Kit	09577	\$48.07

Mounting Accessories

	Part Number	List Price
Bushings		
35mm H Bushing	06496*	\$139.95
Pulley & sheaves		
12.75" Cast Iron 4gr. AB Section	07165*	\$190.30
Plated Steel Channel Rails (L=11.75"xW1.88"xH=3.00")	07357	\$151.95

* Commercial Discount

LP301GB DIMENSIONS - INCHES (mm)



LP301AGB

Gearbox with Pinion Drive

Model	Flow Continuous/ Intermittent	Pressure	Speed Continuous/ Intermittent	Power Required	Plunger Diameter	Stroke	Price
	GPM (LPM)	PSI (Bar)	RPM	HP (kW)	in (mm)	in (mm)	
LP301AGBHS	14.2 (53.6) 18.0 (68.1)	4000 (275)	1000 1268	37.9 (28.3) 50.0 (37.0)	0.95 (24)	1.65 (42)	\$14,130.00

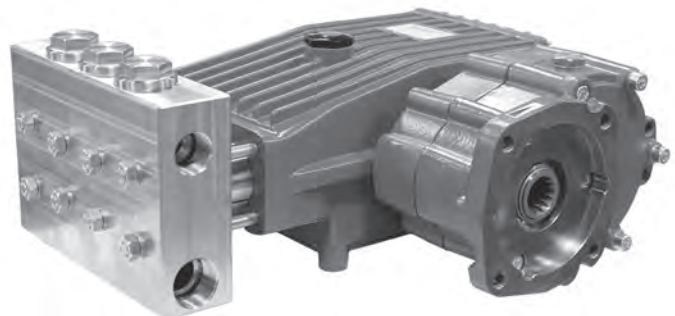
Common Specifications & Materials

	U.S.	(Metric)
Max Inlet Temp	140 °F	(60 °C)
Weight	119 lbs	(54 kg)
Inlet Port	(2) 1-1/4" BSP	
Discharge Port.....	(2) 1" BSP	

Materials Used

Manifold	AISI 303 S.S.
Plunger	Solid ceramic oxide
Valves	Duplex Steel
Seals.....	Nitrile with fabric reinforcing
Crankcase	Spheroidal Cast Iron

Gear Ratio 2.0:1



Available Gearbox orientations -
90°, 180° and 270° positions

Repair Kits

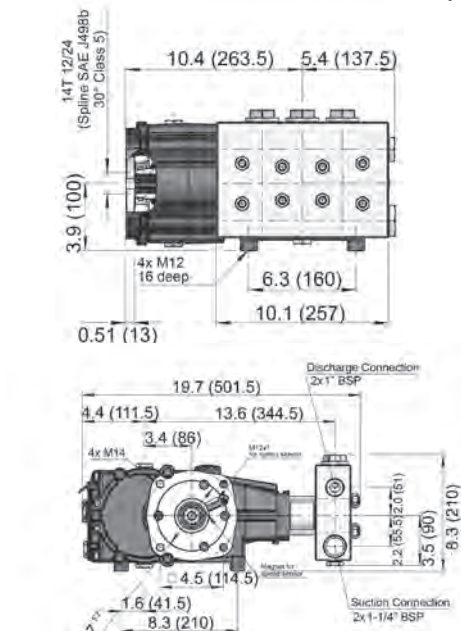
Kit	Part Number	List Price
Plunger Packing Kit	09459	\$488.83
Valve Kit (3)	09196	\$492.36
Valve Kit (6)	09196A	\$984.72
Oil Seal Kit	09577	\$48.07

Mounting Accessories

	Part Number	List Price
Bushings		
35mm H Bushing	06496*	\$139.95
Pulley & sheaves		
12.75" Cast Iron		
4gr. AB Section	07165*	\$190.30
Plated Steel Channel Rails		
(L=11.75"xW1.88"xH=3.00")	07357	\$151.95

* Commercial Discount

LP301GBHS DIMENSIONS - INCHES (mm)



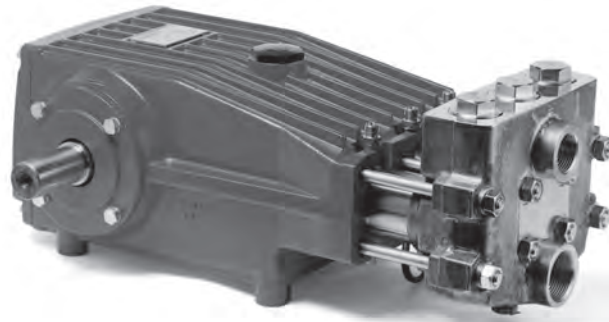
Model	Flow	Pressure	Speed	Power Required	Plunger Diameter	Stroke	Price
	GPM (LPM)	PSI (Bar)	RPM	HP (kW)	in (mm)	in (mm)	
LP400	15.1 (57.0)	3600 (250)	1000	37.5 (28.0)	0.94 (24)	1.65 (42)	\$8,385.00
LP450	19.7 (74.5)	2600 (180)	1000	35.3 (26.3)	1.10 (28)	1.65 (42)	\$8,385.00
LP350	22.6 (85.5)	2300 (160)	1000	36.2 (27.0)	1.18 (30)	1.65 (42)	\$8,385.00

Common Specifications & Materials

	U.S.	(Metric)
Max Inlet Temp	140 °F	(60 °C)
Weight	110 lbs	(50 kg)
Inlet Port	(2) 1-1/4" BSP	
Discharge Port	(2) 1" BSP	

Materials Used

Manifold	Aluminum Bronze
Plunger	Solid ceramic oxide
Valves	Duplex Steel
Seals	Nitrile with fabric reinforcing
Crankcase	Spheroidal Cast Iron



Repair Kits

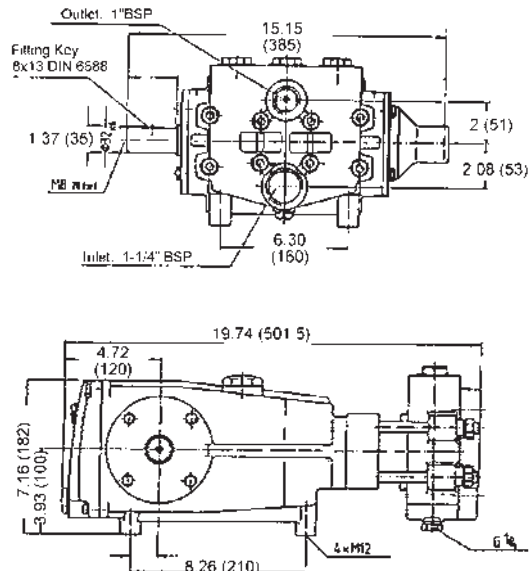
Kit	Part Number	List Price
Plunger Packing Kit (LP350)	09546	\$278.82
Plunger Packing Kit (LP400)	09548	\$259.05
Plunger Packing Kit (LP450)	09549	\$376.69
Valve Kit (3)	09196	\$492.36
Oil Seal Kit	09577	\$48.07

Mounting Accessories

	Part Number	List Price
Bushings		
35mm H Bushing	06496*	\$139.95
Pulley & sheaves		
12.75" Cast Iron 4gr. AB Section	07165*	\$190.30
Plated Steel Channel Rails (L=11.75"xW1.88"x H=3.00")		
	07357	\$151.95
Hydraulic Kit w/SAE-C Motor		
	HK-LP-SAE-C-4	\$809.65

* Commercial Discount

LP350, LP400, LP450 - INCHES (mm)



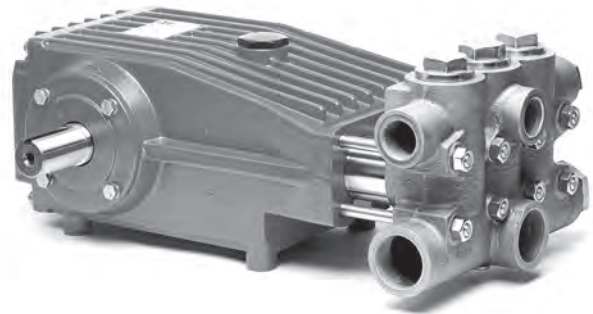
Model	Flow	Pressure	Speed	Power Required	Plunger Diameter	Stroke	Price
	GPM (LPM)	PSI (Bar)	RPM	HP (kW)	in (mm)	in (mm)	
LP200	19.0 (72.1)	2900 (200)	1000	38.3 (28.6)	1.10 (28)	1.65 (42)	\$9,835.00
LP200-SS	19.0 (72.1)	2900 (200)	1000	38.3 (28.6)	1.10 (28)	1.65 (42)	\$9,890.00
LP250	26.0 (98.3)	2200 (150)	1000	39.7 (29.6)	1.26 (32)	1.65 (42)	\$9,835.00
LP121A	32.5 (123.1)	1740 (120)	1000	39.3 (29.3)	1.42 (36)	1.65 (42)	\$9,835.00

Common Specifications & Materials

	U.S.	(Metric)
Max Inlet Temp	140 °F	(60 °C)
Weight	119 lbs	(54 kg)
Inlet Port	(3) 1-1/2" BSP	
Discharge Port	(3) 1" BSP	

Materials Used

Manifold (except LP200-SS) ..Aluminum Bronze
 Manifold (LP200-SS) Stainless Steel
 Plunger Solid ceramic oxide
 Valves Duplex Steel
 Seals Nitrile with fabric reinforcing
 Crankcase Spheroidal Cast Iron



Repair Kits

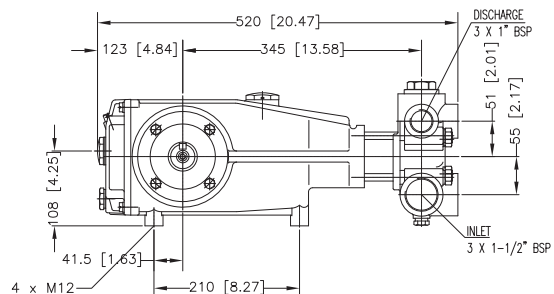
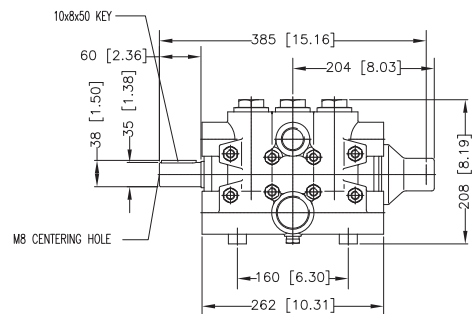
Kit	Part Number	List Price
<u>Plunger Packing Kit</u>		
(LP200)	09307	\$373.57
(LP250)	09308	\$590.95
Valve Kit (3)	09196	\$492.36
Oil Seal Kit	09577	\$48.07

Mounting Accessories

	Part Number	List Price
Bushings		
35mm H Bushing	06496*	\$139.95
Pulley & sheaves		
12.75" Cast Iron		
4gr. AB Section	07165*	\$190.30
Plated Steel Channel Rails		
(L=11.75"xW1.88"xH=3.00")	07357	\$151.95
Hydraulic Kit		
w/SAE-C Motor	HK-LP-SAE-C-4	\$809.65

* Commercial Discount

LP121A/LP200/LP250 DIMENSIONS- INCHES (mm)



LP200GB

Gearbox with Pinion Drive

Model	Flow	Pressure	Speed	Power Required	Plunger Diameter	Stroke	Price
	GPM (LPM)	PSI (Bar)	RPM	HP (kW)	in (mm)	in (mm)	
LP200GB	19.0 (72.1)	2900 (200)	1000	38.3 (28.6)	1.10 (28)	1.65 (42)	\$13,855.00
LP200GB-SS	19.0 (72.1)	2900 (200)	1000	38.3 (28.6)	1.10 (28)	1.65 (42)	\$13,910.00

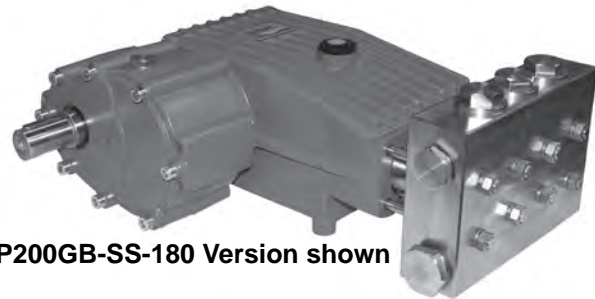
Common Specifications & Materials

	U.S.	(Metric)
Max Inlet Temp	140 °F	(60 °C)
Weight	119 lbs	(54 kg)
Inlet Port	(3) 1-1/4" BSP	
Discharge Port.....	(3) 1" BSP	

Materials Used

Manifold (LP200GB)	Aluminum Bronze
Manifold (LP200GB-SS)	Stainless Steel
Plunger	Solid ceramic oxide
Valves	Duplex Steel
Seals.....	Nitrile with fabric reinforcing
Crankcase	Spheroidal Cast Iron

Gear Ratio **2.0:1**



LP200GB-SS-180 Version shown

Available Gearbox orientations -
90°, 180° and 270° positions

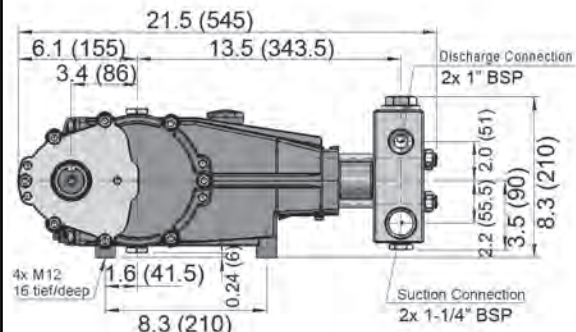
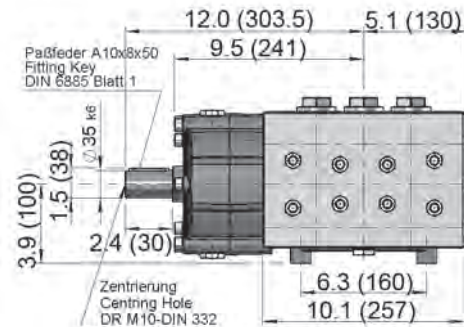
Repair Kits

Kit	Part Number	List Price
Plunger Packing Kit:		
(LP200)	09307	\$373.57
(LP250)	09308	\$590.95
Valve Kit (3)	09196	\$492.36
Oil Seal Kit	09577	\$48.07

Mounting Accessories

	Part Number	List Price
Plated Steel Channel Rails (L=11.75"xW1.88"xH=3.00")	07357	\$151.95

LP200GB-SS-180 DIMENSIONS- INCHES (mm)



LP200GBHS

Hydraulic Drive

Model	Flow	Pressure	Speed	Power Required	Plunger Diameter	Stroke	Price
	GPM (LPM)	PSI (Bar)	RPM	HP (kW)	in (mm)	in (mm)	
LP200GBHS	19.0 (72.1)	2900 (200)	1000	38.3 (28.6)	1.10 (28)	1.65 (42)	\$14,075.00
LP200GBHS-SS	19.0 (72.1)	2900 (200)	1000	38.3 (28.6)	1.10 (28)	1.65 (42)	\$14,130.00
LP200GBHS-5100-SS	19.0 (72.1)	2900 (200)	1000	38.3 (28.6)	1.10 (28)	1.65 (42)	\$21,475.00

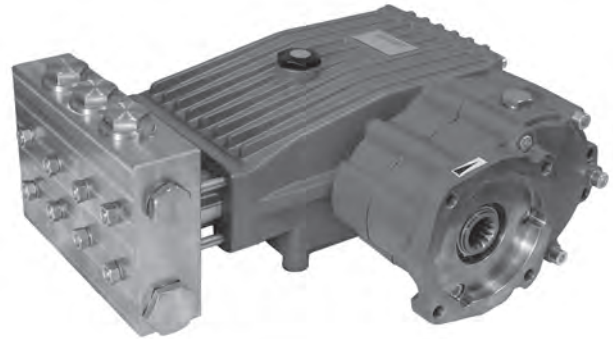
Common Specifications & Materials

	U.S.	(Metric)
Max Inlet Temp	140 °F	(60 °C)
Weight	119 lbs	(54 kg)
Inlet Port	(3) 1-1/2" BSP	
Discharge Port.....	(3) 1" BSP	

Materials Used

Manifold (except LP200-SS) ..Aluminum Bronze
 Manifold (LP200-SS) Stainless Steel
 Plunger Solid ceramic oxide
 Valves Duplex Steel
 Seals..... Nitrile with fabric reinforcing
 CrankcaseSpheroidal Cast Iron

Gear Ratio 2.0:1



Available Gearbox orientations -
90°, 180° and 270° positions

Repair Kits / Accessories

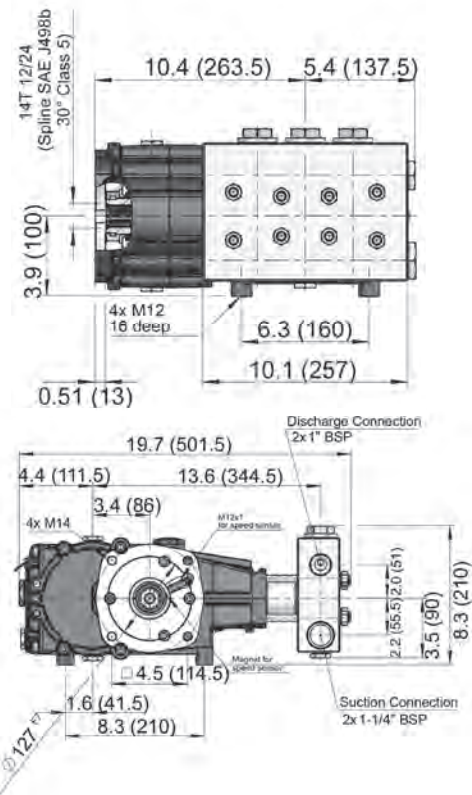
Kit	Part Number	List Price
Plunger Packing Kit:		
(LP200)	09307	\$373.57
(LP250)	09308	\$590.95
Valve Kit (3)	09196	\$492.36
Oil Seal Kit	09577	\$48.07
Anti-Seize	03325*	\$7.22

* Commercial Discount

Mounting Accessories

	Part Number	List Price
Plated Steel Channel Rails		
(L=11.75"xW1.88"xH=3.00")	07357	\$151.95

LP200GBHS-SS DIMENSIONS- INCHES (mm)



Model	Flow	Pressure	Speed	Power Required	Plunger Diameter	Stroke	Price
	GPM (LPM)	PSI (Bar)	RPM	HP (kW)	in (mm)	in (mm)	
LP255	25.7 (97.3)	2175 (150)	1000	39.3 (29.3)	1.26 (32)	1.65 (42)	\$8,745.00
LP122A	35.4 (134)	1300 (90)	800	31.9 (23.8)	1.65 (42)	1.65 (42)	\$9,210.00
LP123	35.4 (134)	1300 (90)	800	31.9 (23.8)	1.65 (42)	1.65 (42)	\$8,230.00
LP122A-4000	35.4 (134)	1300 (90)	800	33.1 (24.7)	1.65 (42)	1.65 (42)	\$10,870.00

Common Specifications & Materials

	U.S.	(Metric)
Max Inlet Temp	140 °F	(60 °C)
Weight	125 lbs	(57 kg)
Inlet Port	(2) 1-1/2" NPT	
Discharge Port	(2) 1" NPT	

Materials Used

Plunger	Solid ceramic oxide
Valves	Duplex Steel
Seals	Nitrile with fabric reinforcing
Crankcase	Spheroidal Cast Iron



LP122A/LP123/LP255



LP122A-4000

Repair Kits

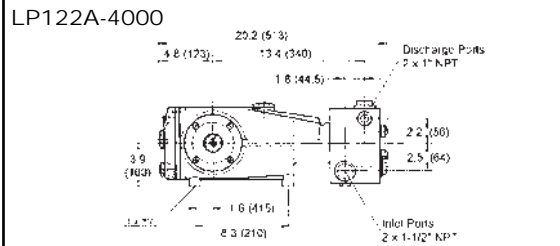
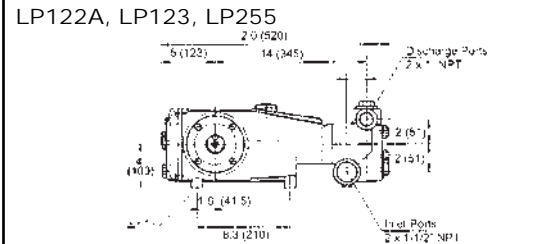
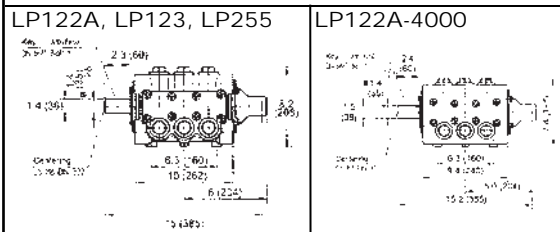
Kit	Part Number	List Price
Plunger Packing Kit: (except LP255)	09477	\$472.10
(LP255 only)	09535	\$658.21
Valve Kit (3)	09136	\$556.83
Oil Seal Kit	09577	\$48.07

Mounting Accessories

	Part Number	List Price
Bushings		
35mm H Bushing	06496*	\$139.95
Pulley & sheaves		
12.75" Cast Iron		
4gr. AB Section	07165*	\$190.30
Plated Steel Channel Rails (L=11.75"xW1.88"xH=3.00")	07357	\$151.95
Hydraulic Kit w/SAE-C Motor	HK-LP-SAE-C-4	\$809.65

* Commercial Discount

LP122, LP122A-4000, LP123, LP255 DIMENSIONS - INCHES (mm)



Large Industrial Pumps:

-GP5100 Series

-GP6100 Series

-GP7100 Series

(pages 56 to 67)

Large Industrial Pumps with Oil Cooling Systems:

-GP7500 Series

-GP7600 Series

-GP8000 Series

-GP8100 Series

(pages 67 to 81)

GP5100 Series



High Pressure Pumps

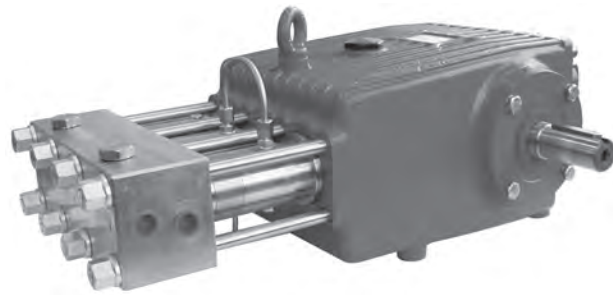
Model	Flow Continuous/ Intermittent	Pressure Continuous/ Intermittent	Speed	Power Required Continuous/ Intermittent	Plunger Diameter	Price
	GPM (LPM)	PSI (Bar)	RPM	HP (kW)	in (mm)	
GP5114	4.8 (18.3)	17,400 (1200)	1000	58.4 (43.6)	0.55 (14)	\$22,680.00
GP5116	5.5 (20.9) 7.0 (26.6)	15,000 (1000) 11,600 (800)	850 1050	55.8 (41.6) 56.8 (42.4)	0.63 (16)	\$22,680.00

Common Specifications & Materials

	U.S.	(Metric)
Stroke	1.81"	(46 mm)
Max Inlet Temp	104 °F	(40 °C)
Weight	182 lbs.	(82.5 kg)
Inlet Port	(2) 1/2" BSP	
Discharge Port	(2) 1/2" NPT	

Materials Used

Manifold	Stainless Steel
Plunger	Special Ceramic
Valves	Duplex Steel/Plastic Retainer
Seals	Aramid/Teflon Packing
Crankcase	Spheroidal Cast Iron



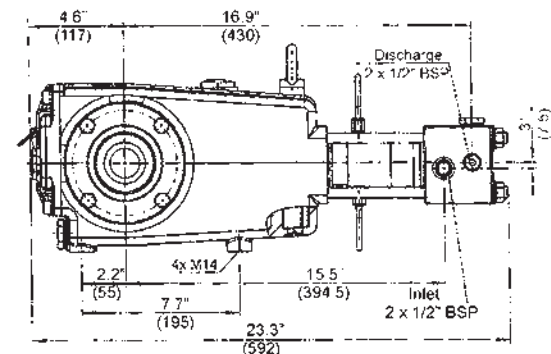
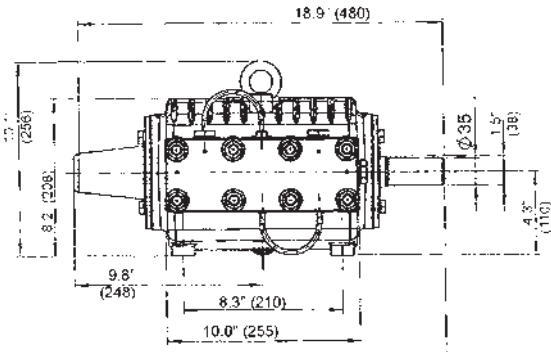
Repair Kits

Kit	Part Number	List Price
Plunger Packing Kit:		
GP5116	09746	\$691.54
GP5114	09807	\$524.12
Valve Kit	09835	\$2,460.60
Oil Seal Kit	09834	\$90.89

Mounting Accessories

	Part Number	List Price
Hydraulic Kit		
w/SAE-C Motor	HK-GP51-SAE-C-4	\$793.35
Hydraulic Kit		
w/SAE-D Motor	HK-GP51-SAE-D-4	\$945.45

GP5114 and GP5116 DIMENSIONS - INCHES (mm)



Medium Pressure Pumps

Model	Flow	Pressure	Speed	Power Required	Plunger Diameter	Price
	GPM (LPM)	PSI (Bar)	RPM	HP (kW)	in (mm)	
GP5120	10.6 (40.0)	8700 (600)	1000	63.3 (47.2)	0.79 (20)	\$14,930.00
GP5122	11.9 (45.0)	7250 (500)	930	59.0 (44.0)	0.87 (22)	\$14,930.00
GP5124	13.2 (50.0)	5800 (400)	850	53.8 (40.1)	0.94 (24)	\$14,930.00

Common Specifications & Materials

	U.S.	(Metric)
Stroke	1.81"	(46 mm)
Max Inlet Temp	140 °F	(60 °C)
Weight	176 lbs.	(80 kg)
Inlet Port	(2) 3/4" BSP	
Discharge Port	(2) 1/2" BSP	

Materials Used

Manifold	Stainless Steel
Plunger	Special Ceramic
Valves	High Grade Stainless Steel
Seals	Aramid/Teflon Packing
Crankcase	Solid Spheroidal Cast Iron



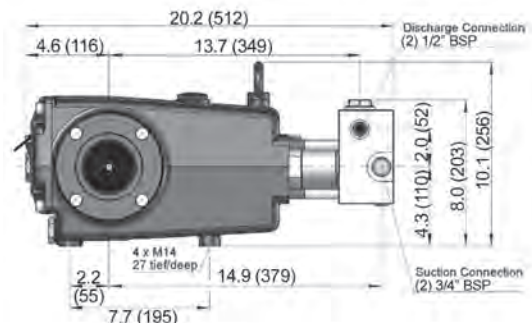
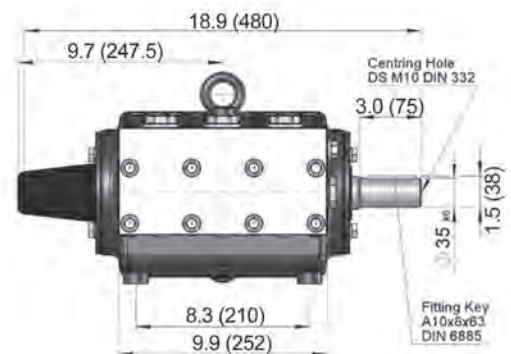
Repair Kits

Kit	Part Number	List Price
<u>Plunger Packing Kits:</u>		
(GP5120)	09784	\$918.32
(GP5122)	09785	\$640.55
(GP5124)	09786	\$415.82
Valve Kit	09787	\$796.19
Oil Seal Kit	09230	\$64.54

Mounting Accessories

	Part Number	List Price
Hydraulic Kit		
w/SAE-C Motor	HK-GP51-SAE-C-4	\$793.35
Hydraulic Kit		
w/SAE-D Motor	HK-GP51-SAE-D-4	\$945.45

GP5120/GP5122/GP5124 DIMENSIONS - INCHES (mm)



High Flow Pumps

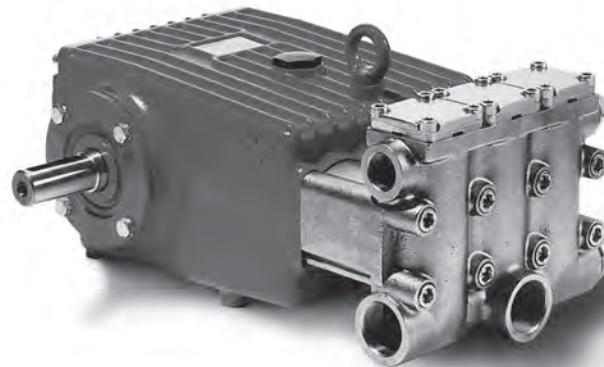
Model	Flow Continuous/ Intermittent	Pressure	Speed	Power Required	Plunger Diameter	Price
	GPM (LPM)	PSI (Bar)	RPM	HP (kW)	in (mm)	
GP5124-28	20.6 (78.0)	4060 (280)	1400	56.0 (41.8)	0.98 (24)	\$9,790.00
GP5128	20.6 (78.0)	4060 (280)	1000	56.0 (41.8)	1.10 (28)	\$9,790.00
GP5128-SSP	20.6 (78.0)	4060 (280)	1000	56.0 (41.8)	1.10 (28)	\$9,790.00
GP5132	27.7 (104.9) / 40.0 (151.4)	2900 (200)	1000	57.4 (42.8)	1.26 (32)	\$9,790.00
GP5132-SSP	27.7 (104.9) / 40.0 (151.4)	2900 (200)	1000	57.4 (42.5)	1.26 (32)	\$9,790.00
GP5136	33.8 (127.8)	2320 (160)	910	56.0 (41.8)	1.42 (36)	\$9,790.00
GP5142	40.4 (153.0)	1885 (130)	800	52.5 (39.2)	1.65 (42)	\$9,790.00
GP5145	43.5 (164.6)	1450 (100)	750	45.0 (33.6)	1.77 (45)	\$9,790.00

Common Specifications & Materials

	U.S.	(Metric)
Stroke	1.81"	(46 mm)
Max Inlet Temp	140 °F	(60 °C)
Weight	179 lbs.	(81 kg)
Inlet Port	(3) 1-1/2" NPT	
Discharge Port	(2) 1" NPT	

Materials Used

Manifold	Nickel-Plated Spheroidal Cast Iron
Plunger (except -SSP)	Solid ceramic oxide
Plunger (-SSP)	Stainless Steel
Valves	Stainless Steel
Seals	Nitrile with fabric reinforcing
Crankcase	Spheroidal Cast Iron



Repair Kits

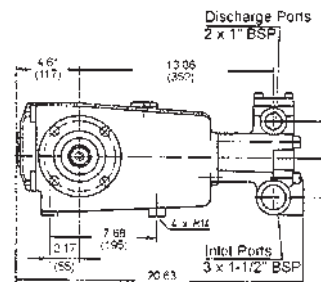
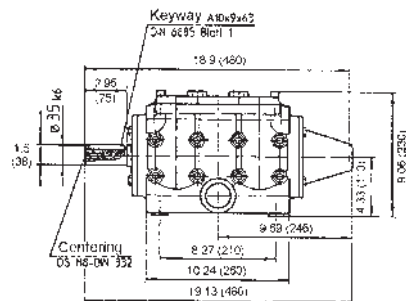
Kit	Part Number	List Price
<u>Plunger Packing Kit:</u>		
(GP5128)	09761	\$430.92
(GP5132)	09290	\$351.85
(GP5136)	09229	\$297.61
(GP5142)	09767	\$328.34
(GP5145)	09228	\$578.37
<u>Valve Assembly Kit</u>		
(GP5128)	09762*	\$2,071.48
<u>Inlet Valve Kit</u>		
(except GP5128)	09231*	\$237.22
<u>Discharge Valve Kit</u>		
(except GP5128)	09232*	\$279.87
Oil Seal Kit	09230	\$64.54

*One (1) valve assembly/kit

Mounting Accessories

	Part Number	List Price
Hydraulic Kit		
w/SAE-C Motor	HK-GP51-SAE-C-4	\$793.35
Hydraulic Kit		
w/SAE-D Motor	HK-GP51-SAE-D-4	\$945.45

GP5128/GP5132/GP5136/GP5142/ GP5145 DIMENSIONS - INCHES (mm)



Hydraulic Drive Versions with Solid Shaft

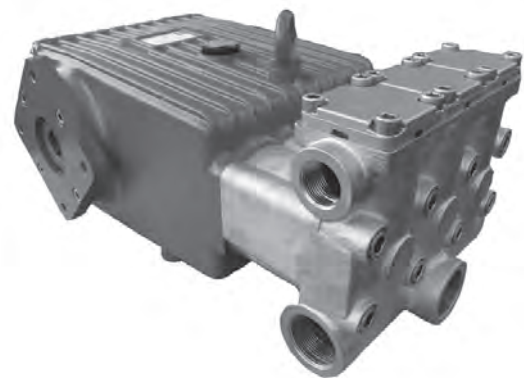
Model	Flow Continuous/ Intermittent	Pressure	Speed	Power Required	Plunger Diameter	Price
	GPM (LPM)	PSI (Bar)	RPM	HP (kW)	in (mm)	
GP5128-HS	20.6 (78.0)	4060 (280)	1000	57.7 (43.0)	1.10 (28)	\$10,245.00
GP5132-HS	27.7 (104.9) / 40.0 (151.4)	2900 (200)	1000	57.4 (42.8)	1.26 (32)	\$10,245.00
GP5136-HS	33.8 (127.8)	2320 (160)	910	56.0 (41.8)	1.42 (36)	\$10,245.00
GP5145-HS	43.5 (164.6)	1450 (100)	750	45.0 (33.6)	1.77 (45)	\$10,245.00

Common Specifications & Materials

	U.S.	(Metric)
Stroke	1.81"	(46 mm)
Max Inlet Temp	140 °F	(60 °C)
Weight	179 lbs.	(81 kg)
Inlet Port	(3) 1-1/2" NPT	
Discharge Port.....	(2) 1" NPT	
Shaft.....	SAE-C flange, C32(Ø31, 75)	

Materials Used

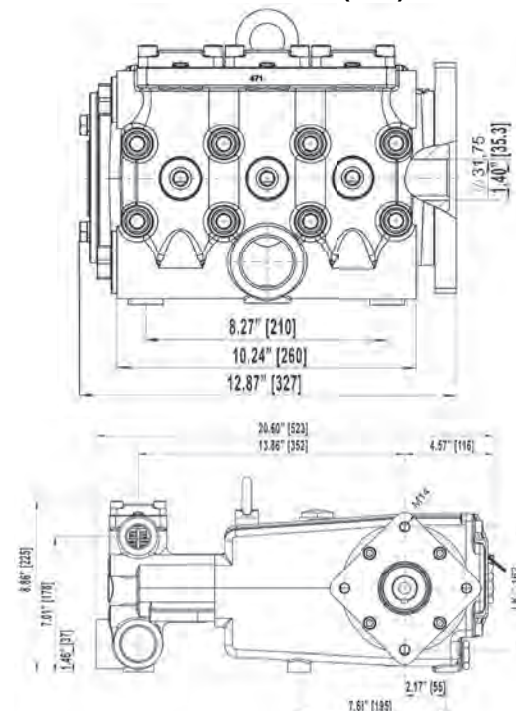
Manifold	Nickel-Plated Spheroidal Cast Iron
Plunger	Solid ceramic oxide
Valves	Duplex Steel/Plastic Retainer
Seals.....	Nitrile with fabric reinforcing
Crankcase	Spheroidal Cast Iron



Repair Kits

Kit	Part Number	List Price
Plunger Packing Kit:		
(GP5132)	09290	\$351.85
(GP5136)	09229	\$297.61
(GP5145)	09228	\$578.37
Inlet Valve Kit	09231*	\$237.22
Discharge Valve Kit	09232*	\$279.87
Oil Seal Kit	09230	\$64.54
*One (1) valve assembly/kit		

GP5132-HS/GP5136-HS/GP5145-HS DIMENSIONS - INCHES (mm)



GP5100 Series

Direct Drive Gearbox Versions

Model	Flow Continuous/ Intermittent	Pressure	Speed	Power Required	Plunger Diameter	Price
	GPM (LPM)	PSI (Bar)	RPM	HP (kW)	in (mm)	
GP5128GB*	20.6 (78.0)	4060 (280)	1000	57.7 (43.0)	1.10 (28)	\$13,910.00
GP5132GB*	27.7 (104.9) / 40.0 (151.4)	2900 (200)	1000	57.4 (42.8)	1.26 (32)	\$13,910.00
GP5136GB*	33.8 (127.8)	2320 (160)	910	56.0 (41.8)	1.42 (36)	\$13,910.00
GP5142GB*	40.4 (152.9)	1885 (130)	800	52.5 (39.2)	1.65 (42)	\$13,910.00
GP5145GB*	43.5 (164.6)	1450 (100)	750	45.0 (33.6)	1.77 (45)	\$13,910.00

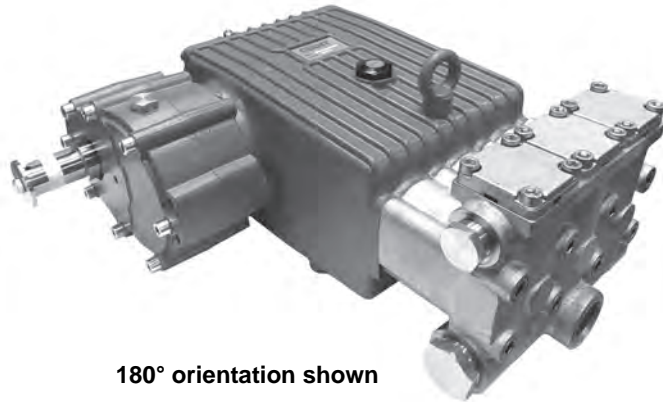
Common Specifications & Materials

	U.S.	(Metric)
Stroke	1.81"	(46 mm)
Max Inlet Temp	140 °F	(60 °C)
Weight	269 lbs.	(122 kg)
Inlet Port	(3) 1-1/2" NPT	
Discharge Port.....	(2) 1" NPT	

Materials Used

ManifoldNickel-Plated Spheroidal Cast Iron
 Plunger Solid ceramic oxide
 ValvesStainless Steel
 Seals..... Nitrile with fabric reinforcing
 CrankcaseSpheroidal Cast Iron

Gear Ratio2.0:1
 *0° and 180° orientations available



180° orientation shown

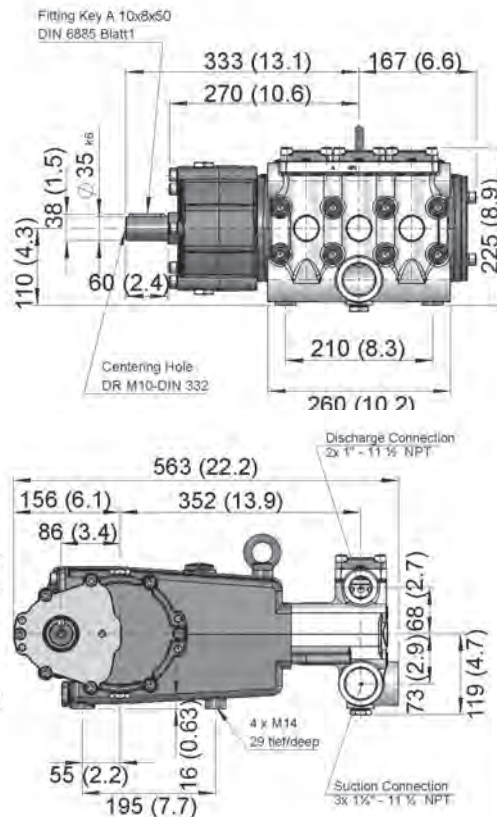
Repair Kits / Accessories

Kit	Part Number	List Price
<u>Plunger Packing Kit:</u>		
(GP5128)	09761	\$430.92
(GP5132)	09290	\$351.85
(GP5136)	09229	\$297.61
(GP5142)	09767	\$328.34
(GP5145)	09228	\$578.37
<u>Valve Assembly Kit</u>		
(GP5128)	09762*	\$2,071.48
<u>Inlet Valve Kit</u>		
(except GP5128)	09231*	\$237.22
<u>Discharge Valve Kit</u>		
(except GP5128)	09232*	\$279.87
Oil Seal Kit	09230	\$64.54
Anti-Seize	03325*	\$7.22

*One (1) valve assembly/kit

* Commercial Discount

GP5100GB-180 Shown



Hydraulic Drive Versions - Splined Shaft and Gearbox

Model	Flow Continuous/ Intermittent	Pressure	Speed	Power Required	Plunger Diameter	Price
	GPM (LPM)	PSI (Bar)	RPM	HP (kW)	in (mm)	
GP5128GBHS*	20.6 (78.0)	4060 (280)	1000	56.0 (41.8)	1.10 (28)	\$14,130.00
GP5132GBHS*	27.7 (104.9) / 40.0 (151.4)	3000 (200)	1000	57.4 (42.8)	1.26 (32)	\$14,130.00
GP5136GBHS*	33.8 (127.8)	2320 (160)	910	56.0 (41.8)	1.42 (36)	\$14,130.00
GP5142GBHS*	40.4 (152.9)	1885 (130)	800	52.5 (39.2)	1.65 (42)	\$14,130.00
GP5145GBHS*	43.5 (164.6)	1450 (100)	750	45.0 (33.6)	1.77 (45)	\$14,130.00

Common Specifications & Materials

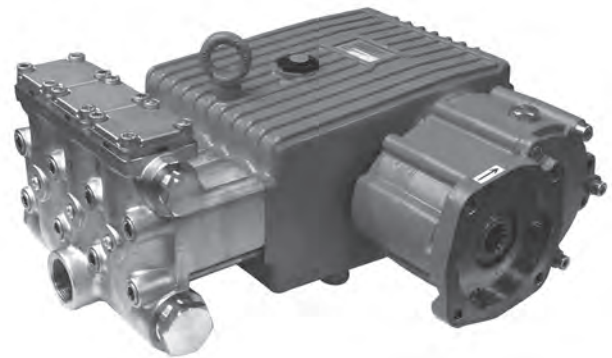
	U.S.	(Metric)
Stroke	1.81"	(46 mm)
Max Inlet Temp	140 °F	(60 °C)
Weight	269 lbs.	(122 kg)
Inlet Port	(3) 1-1/2" NPT	
Discharge Port	(2) 1" NPT	
Crankshaft Bore	SAE-C Spline 14T 12/24DP	

Materials Used

Manifold	Nickel-Plated Spheroidal Cast Iron
Plunger	Solid ceramic oxide
Valves	Duplex Steel/Plastic Retainer
Seals	Nitrile with fabric reinforcing
Crankcase	Spheroidal Cast Iron

Gear Ratio2.75:1

*0° and 180° orientations available



0° orientation shown

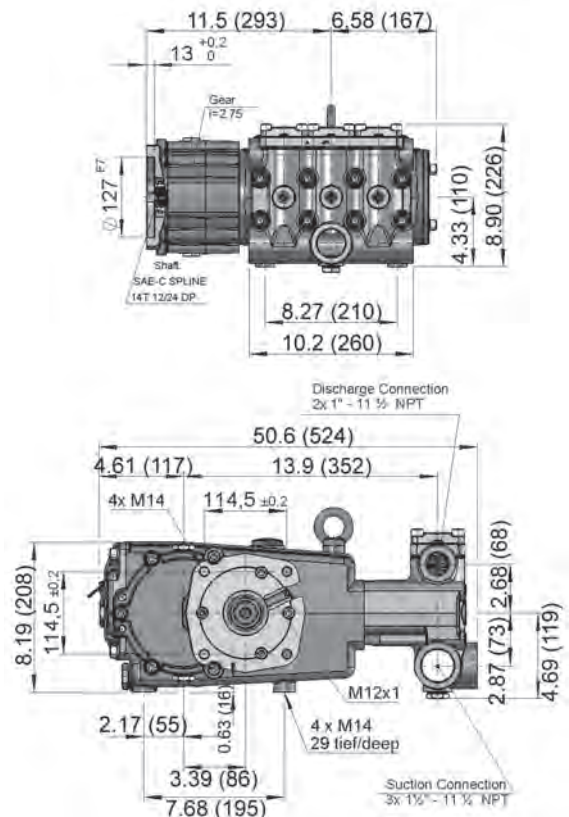
Repair Kits / Accessories

Kit	Part Number	List Price
Plunger Packing Kit:		
(GP5128)	09761	\$430.92
(GP5132)	09290	\$351.85
(GP5136)	09229	\$297.61
(GP5142)	09767	\$328.34
(GP5145)	09228	\$578.37
Valve Assembly Kit		
(GP5128)	09762*	\$2,071.48
Inlet Valve Kit		
(except GP5128)	09231*	\$237.22
Discharge Valve Kit		
(except GP5128)	09232*	\$279.87
Oil Seal Kit	09230	\$64.54
Anti-Seize	03325*	\$7.22

*One (1) valve assembly/kit

+ Commercial Discount

GP5132-HS/GP5136-HS/GP5145-HS DIMENSIONS - INCHES (mm)



High Pressure Pumps

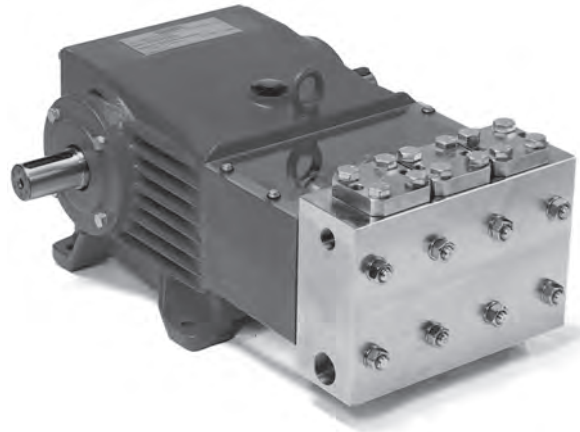
Model	Flow	Pressure	Speed	Power Required	Plunger Diameter	Stroke	Price
	GPM (LPM)	PSI (Bar)	RPM	HP (kW)	in (mm)	in (mm)	
GP6124	12.8 (48.5)	6090 (420)	800	56.8 (42.4)	0.94 (24)	1.89 (48)	\$23,910.00
GP6128	18.0 (68.1)	4350 (300)	800	55.9 (41.7)	1.10 (28)	1.89 (48)	\$18,475.00

Common Specifications & Materials

	U.S.	(Metric)
Max Inlet Temp	140 °F	(60 °C)
Weight	309 lbs	(140 kg)
Inlet Port	(2) 1-1/2" BSP	
Discharge Port.....	(2) 1" BSP	

Materials Used

Manifold.....	AISI 303 S.S.
Plunger (GP6124).....	SS w/Hard metal coating
Plunger (GP6128).....	Solid ceramic oxide
Valves.....	Duplex Steel
Seals (GP6124)	Aramid packing
Seals (GP6128) ...	Nitrile with fabric reinforcing
Crankcase	Spheroidal Cast Iron



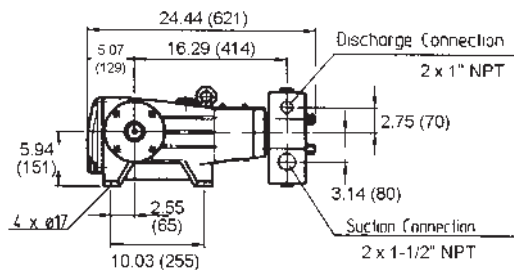
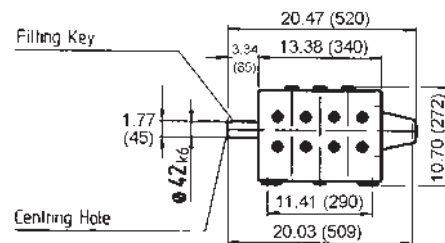
Repair Kits

Kit	Part Number	List Price
Plunger Packing Kit:		
(GP6124)	09311	\$1,016.77
(GP6128)	09302	\$438.67
Valve Kit:		
(GP6124)	09312	\$2,098.37
(GP6128)	09303	\$2,401.80
Oil Seal Kit	09304	\$303.83

Mounting Accessories

	Part Number	List Price
Hydraulic Kit w/SAE-D Motor	HK-GP61-SAE-D-4	\$1,894.05
Coupling Bell SAE-D-4	03030	\$520.00

GP6124, GP6128, GP6124-4000 - INCHES (mm)



GP6100 Series

High Flow Pumps

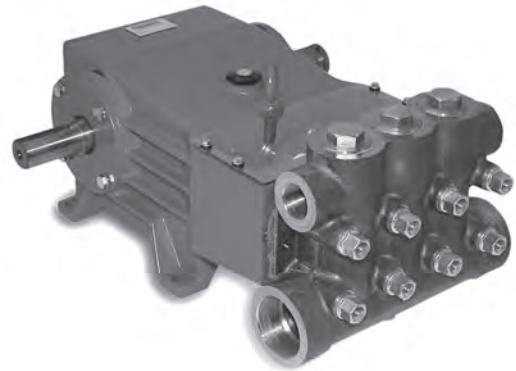
Model	Flow	Pressure	Speed	Power Required	Plunger Diameter	Stroke	Price
	GPM (LPM)	PSI (Bar)	RPM	HP (kW)	in (mm)	in (mm)	
GP6132	23.5 (88.9)	3045 (210)	800	49.4 (36.8)	1.26 (32)	1.89 (48)	\$20,595.00
GP6140	36.7 (139)	2175 (150)	800	55.0 (41.0)	1.57 (40)	1.89 (48)	\$20,595.00
GP6145	46.5 (175.9)	1740 (120)	800	55.8 (41.6)	1.77 (45)	1.89 (48)	\$20,595.00

Common Specifications & Materials

	U.S.	(Metric)
Max Inlet Temp	140 °F	(60 °C)
Weight	309 lbs	(140 kg)
Inlet Port	(2) 2-1/2" BSP	
Discharge Port.....	(2) 1-1/4" BSP	

Materials Used

Manifold	Bronze
Manifold (-4000 Series)	Stainless Steel
Plunger	Solid ceramic oxide
Valves	Duplex Steel
Valves (-4000 Series)	Stainless Steel
Seals.....	Nitrile with fabric reinforcing
Crankcase	Spheroidal Cast Iron



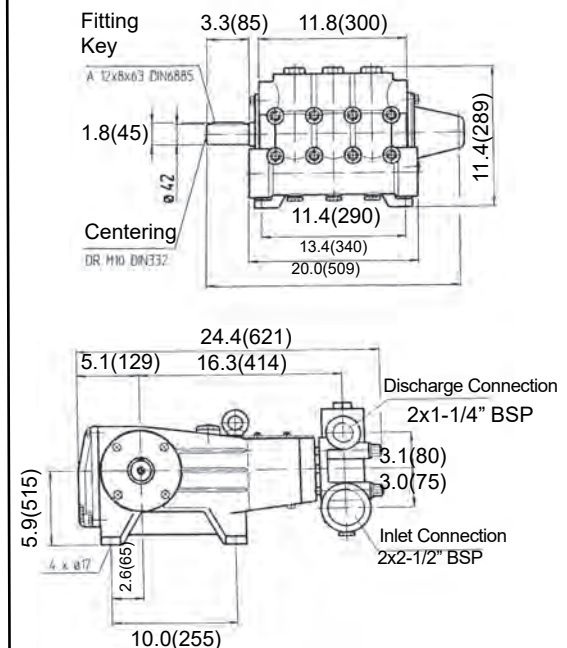
Repair Kits

Kit	Part Number	List Price
Plunger Packing Kit		
(GP6132)	09319	\$859.56
(GP6140-4000)	09622	\$1,431.54
(GP6145-4000)	09623	\$1,020.74
Valve Kit:		
(GP6132)	09320	\$3,039.48
(GP6140-4000, GP6145-4000)	09624	\$3,480.90
Oil Seal Kit :		
(GP6132)	09304	\$303.83
(GP6140/GP6145-4000)	09625	\$35.02

Mounting Accessories

	Part Number	List Price
Hydraulic Kit		
w/SAE-D Motor	HK-GP61-SAE-D-4	\$1,894.05
Coupling Bell		
SAE-D-4	03030	\$520.00

GP6132, GP6140, GP6145 GP6132-4000, GP6140-4000, GP6145-4000 INCHES (mm)



High Pressure Pumps

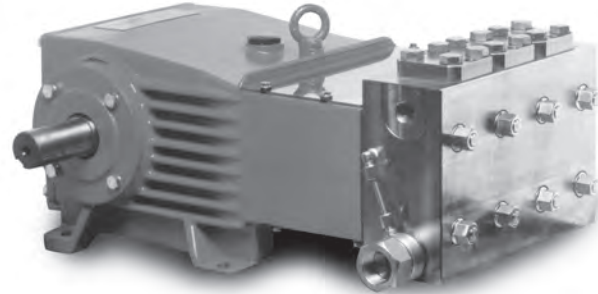
Model	Flow	Pressure	Speed	Power Required	Plunger Diameter	Stroke	Price
	GPM (LPM)	PSI (Bar)	RPM	HP (kW)	in (mm)	in (mm)	
GP7122	9.9 (37.4)	10,000 (700)	750	70.0 (52.2)	0.87 (22)	2.0 (52)	\$33,400.00
GP7124A-4000	12.8 (48.4)	7400 (510)	750	65.3 (48.7)	0.94 (24)	2.0 (52)	\$33,400.00

Common Specifications & Materials

	U.S.	(Metric)
Max Inlet Temp	140 °F	(60 °C)
Weight	454 lbs	(296 kg)
Inlet Ports (GP7122)	(2) 1-1/2" NPT	
Inlet Ports (GP7124)	(2) 1-1/4" NPT	
Discharge Ports (GP7122)	(2) 1/2" NPT	
Discharge Ports (GP7124)	(2) 3/4" NPT	

Materials Used

Manifold	AISI 415 Stainless steel
Plungers	Hard metal coating
Valves	Stainless Steel
Seals	Aramid
Crankcase	Spheroidal cast iron



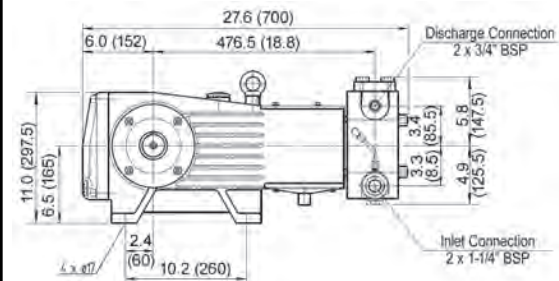
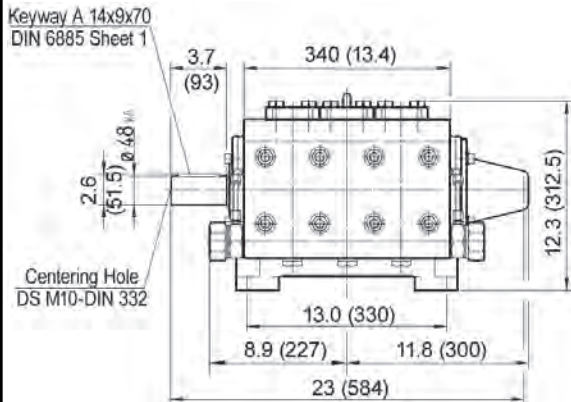
Repair Kits

Kit	Part Number	List Price
Plunger Packing Kit:		
(GP7122)	09701	\$1,899.21
(GP7124)	09224A	\$1,444.22
Inlet Valve Kit:	09702	\$707.90
Discharge Valve Kit:	09703	\$684.51
Oil Seal Kit:	09221	\$160.63

Mounting Accessories

	Part Number	List Price
Rails	01145	\$135.85

GP7122 AND GP7124A-4000 DIMENSIONS - INCHES (mm)



Medium Pressure Pumps

Model	Flow	Pressure	Speed	Power Required	Plunger Diameter	Stroke	Price
	GPM (LPM)	PSI (Bar)	RPM	HP (kW)	in (mm)	in (mm)	
GP7128	17.9 (67.7)	5800 (400)	750	71.4 (53.2)	1.10 (28)	2.1 (52)	\$36,330.00
GP7132	23.4 (88.5)	4350 (300)	750	70.0 (52.2)	1.30 (32)	2.0 (52)	\$32,190.00
GP7136	28.3 (107.0)	3625 (250)	750	70.8 (52.8)	1.42 (36)	2.0 (52)	\$33,430.00

Common Specifications & Materials

	U.S.	(Metric)
Max Inlet Temp	140 °F	(60 °C)
Weight (GP7128 & GP7136).....	375 lbs	(170 kg)
Weight (GP7132).....	434 lbs	(197 kg)
Inlet Ports	(2) 1-1/4" NPT	
Discharge Ports.....	(2) 3/4" NPT	

Materials Used

Manifold	AISI 303 Stainless steel
Plungers (GP7128).....	Hard metal coating
Plungers (GP7132, GP7136)	Solid ceramic oxide
Valves (GP7128 & GP7136).....	Duplex steel
Valves (GP7136).....	Stainless Steel
Seals.....	Nitrile w/fabric reinforcing
Crankcase	Spheroidal cast iron



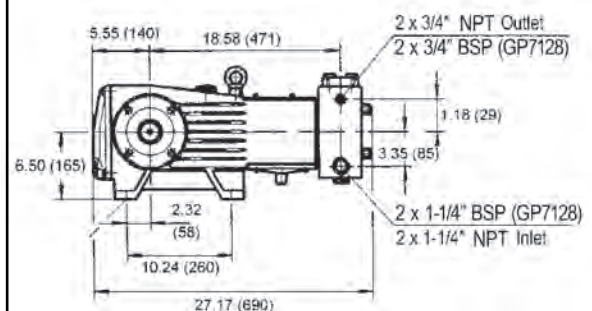
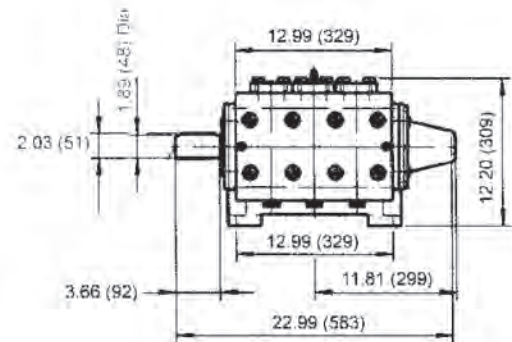
Repair Kits

Kit	Part Number	List Price
Plunger Packing Kit:		
(GP7128)	09464	\$1,459.23
(GP7132)	09519	\$761.53
(GP7136)	09544	\$892.57
Valve Kit	09520	\$2,140.43
Oil Seal Kit (All)	09221	\$160.63

Mounting Accessories

	Part Number	List Price
Rails	01145	\$135.85

GP7128, GP7132 AND GP7136 DIMENSIONS - INCHES (mm)



GP7100 Series

Stainless Steel/High Flow

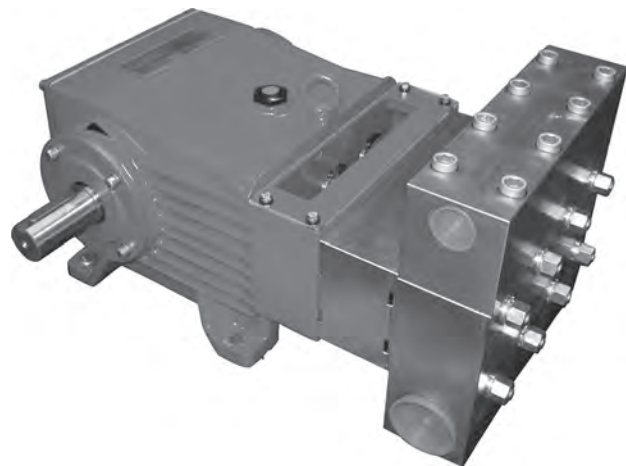
Model	Flow	Pressure	Speed	Power Required	Plunger Diameter	Stroke	Price
	GPM (LPM)	PSI (Bar)	RPM	HP (kW)	in (mm)	in (mm)	
GP7142-4000	38.4 (145.2)	2610 (180)	700	69.0 (51.5)	1.65 (42)	2.0 (52)	\$36,405.00
GP7145-5000	47.5 (180.0)	3000 (200)	750	98.3 (73.3)	1.77 (45)	2.0 (52)	\$40,365.00
GP7150-4000	54.5 (205.8)	1900 (130)	700	70.6 (52.7)	1.97 (50)	2.0 (52)	\$36,405.00
GP7155-4000	65.8 (249.1)	1500 (100)	700	65.7 (49.0)	2.17 (55)	2.0 (52)	\$36,405.00
GP7170-4000	84.5 (320)	1450 (100)	700	87.4 (65.2)	2.48 (63)	2.0 (52)	\$75,040.00
GP7255A-5000	65.8 (250)	1500 (100)	700	68.1 (50.8)	2.17 (55)	2.0 (52)	\$40,365.00

Common Specifications & Materials

	U.S.	(Metric)
Max Inlet Temp	140 °F	(60 °C)
Weight (GP7155-4000)	430 lbs.	(195 kg)
Weight (all others)	474 lbs.	(215 kg)
Inlet Port (GP7170-4000)	(2) 2-1/2" NPT	
Inlet Port (all others)	(2) 2-1/2" BSP	
Discharge Port (GP7170-4000)	(2) 1-1/4" NPT	
Discharge Port (all others)	(2) 1-1/4" BSP	

Materials Used

Manifold (-4000)	Stainless Steel
Manifold (-5000)	316 Stainless Steel
Plungers	Ceramic
Valves	Duplex steel
Seals	Nitrile with fabric reinforcing
Crankcase	Spheroidal cast iron

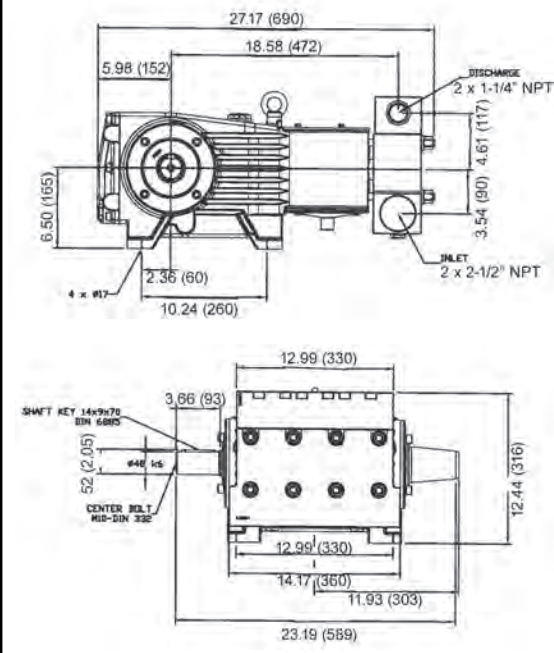


Repair Kits

Kit	Part Number	List Price
Plunger Packing Kits:		
(GP7142-4000)	09766-4000	\$304.02
(GP7150-4000)	09855	\$702.17
(GP7155-4000)	09609-0400	\$932.89
(GP7170-4000)	09610	\$1,016.68
Valve Kits:		
(GP7142-4000)	09859	\$1,776.85
(GP7150-4000)	09856	\$1,906.58
(GP7155-4000)	09852	\$1,780.40
(GP7170-4000)	09611 ⁺	\$593.48
Oil Seal Kit (All)	09221	\$160.63

⁺One(1) Valve assembly / kit

GP7142-4000, GP7150-4000, GP7155-4000, GP7170-4000 DIMENSIONS - INCHES (mm)



Mounting Accessories

	Part Number	List Price
Rails	01145	\$135.85

High Flow Pumps

Model	Flow Continuous/ Intermittent	Pressure	Speed Continuous/ Intermittent	Power Required	Plunger Diameter	Price
	GPM (LPM)	PSI (Bar)	RPM	HP (kW)	in (mm)	
GP7142	38.4 (145.2)	2610 (180)	700	69.0 (51.5)	1.7 (42)	\$30,945.00
GP7145*	47.5 (180) / 60 (227)	3000 (200)	750 / 947	95.0 (70.9)	1.8 (45)	\$20,805.00
GP7150	54.4 (205.8)	1900 (130)	700	70.6 (52.7)	2.0 (50)	\$32,290.00
GP7155	65.8 (249.1)	1500 (100)	700	65.7 (49.0)	2.2 (55)	\$32,290.00
GP7255A*	65.8 (250) / 80 (303)	1500 (100) / 2000 (140)	700 / 851	68.0 (50.7)	2.2 (55)	\$20,805.00

* GP7145-SSP - Stainless Steel Plungers - \$22,045.00
 GP7255A-SSP - Stainless Steel Plungers - \$22,045.00

Common Specifications & Materials

	U.S.	(Metric)
Stroke	2.0"	(52 mm)
Max Inlet Temp	140 °F	(60 °C)
Weight	375 lbs	(170 kg)
Inlet Port	(2) 2-1/2" NPT	
Discharge Port.....	(2) 1-1/4" NPT	

Materials Used

Manifold (GP7142)	Cast Aluminum Bronze
Manifold (GP7150/55)	Bronze
Manifold (GP7145/7255A).....	Nickel Plated Spheroidal Cast Iron
Plungers	Solid ceramic oxide
Plungers (-SSP versions)	Stainless Steel
Valves	Duplex steel
Valves (-SSV versions).....	Stainless Steel
Seals.....	Nitrile with fabric reinforcing
Gear End	Spheroidal cast iron

Repair Kits

Kit	Part Number	List Price
Plunger Packing Kit		
(GP7142)	09766	\$312.31
(GP7145)	09603	\$704.27
GP7150	09526	\$675.03
(GP7155/GP7255)	09220	\$693.33
Valve Kit:		
(GP7142)	09765	\$2,378.52
(GP7150/GP7155)	09614+	\$508.24
Inlet Valve Kit		
(GP7145/GP7255A)	09659+	\$348.14
Discharge Valve Kit		
(GP7145/GP7255A)	09660+	\$387.13
Oil Seal Kit (All)	09221	\$160.63

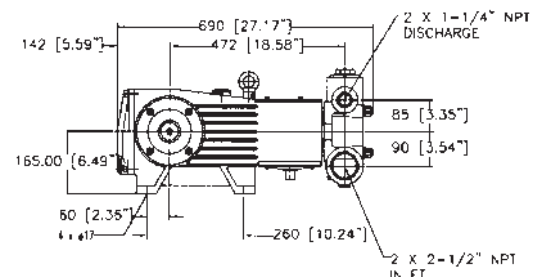
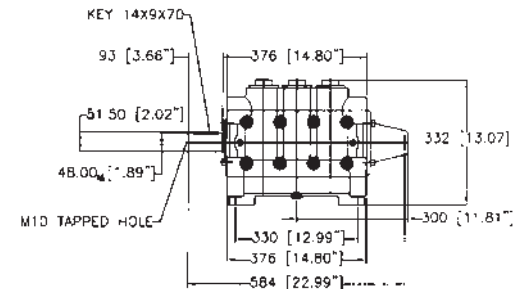
+One(1) Valve assembly / kit

Mounting Accessories

	Part Number	List Price
Rails	01145	\$135.85



GP7145, GP7255 DIMENSIONS - INCHES (mm)



GP7500 Series High Pressure Pumps

Model	Flow	Pressure	Speed	Power Required	Plunger Diameter	Price
	GPM (LPM)	PSI (Bar)	RPM	HP (kW)	in (mm)	
GP7522	9.9 (37.5)	10,150 (700)	750	71.8 (53.5)	0.87 (22)	\$42,840.00
GP7522GB*	9.9 (37.5)	10,150 (700)	750	71.8 (53.5)	0.87 (22)	\$37,055.00
GP7522GBHS*	9.9 (37.5)	10,150 (700)	750	71.8 (53.5)	0.87 (22)	\$39,455.00

Common Specifications & Materials

	U.S.	(Metric)
Stroke	2.0"	(52 mm)
Max. Inlet Temperature	140 °F	(60 °C)
Weight	375 lbs	(170 kg)
Crankcase Oil Capacity	1.6 Gal	(6.0 Liters)
Inlet Ports	(2) 1-1/4" BSP	
Outlet Ports	(2) 3/4" BSP	

Materials Used

Manifold	Stainless Steel
Plunger	Hard Metal Coating
Valves	Duplex Stainless Steel
Seals	Aaramid Packing
Crankcase	Spheroidal Cast Iron

*0° and 180° orientations available

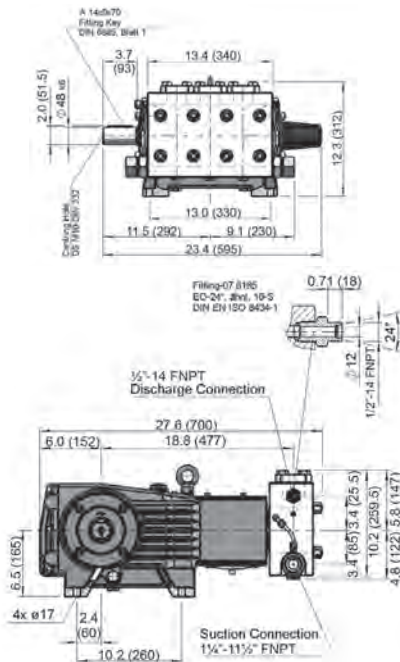


GP7522GBHS-180

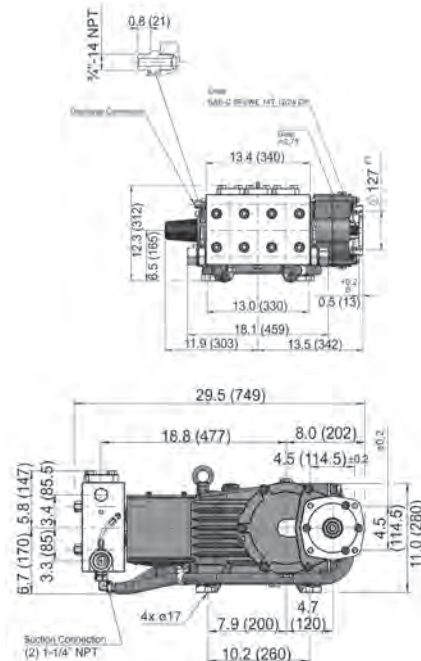
Repair Kits

Kit	Part Number	List Price
Plunger Packing Kit	09701	\$1,899.21
Inlet Valve Kit:	09702	\$707.90
Discharge Valve Kit:	09703	\$684.51
Oil Seal Kit:	09221	\$160.63

GP7522 Dimensions



GP7522GBHS Dimensions



High Flow/Gearbox/Solid Pinion Shaft

Model	Flow	Pressure	Speed	Power Required	Plunger Diameter	Stroke	Price
	GPM (LPM)	PSI (Bar)	RPM	HP (kW)	in (mm)	in (mm)	
GP7545GB	55.5 (210)	3000 (200)	800	111 (82.3)	1.77 (45)	2.05 (52)	\$25,875.00
GP7550GB	70.0 (265)	2540 (175)	800	121 (90.0)	1.97 (50)	2.05 (52)	\$25,875.00
GP7555GB	84.5 (320)	2000 (140)	800	118 (88.0)	2.17 (55)	2.05 (52)	\$25,875.00

Common Specifications & Materials

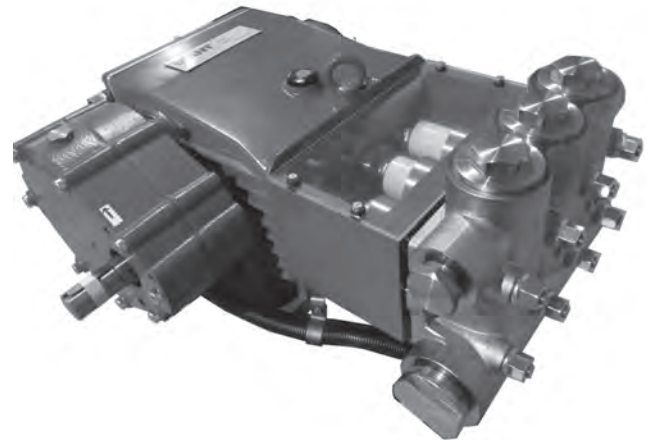
	U.S.	(Metric)
Inlet Temperature.....	140 °F	(60 °C)
Inlet Temperature(GP7645/50) ..	86 °F	(30 °C)
Weight	470 lbs	(213 kg)
Crankcase Capacity	2.1 Gal	(8.0 Liters)
Inlet Ports (GP7550GB).....	(2) 2-1/4" NPT	
Inlet Ports (all others).....	(2) 1-1/4" NPT	
Outlet Ports (GP7550GB).....	(2) 1-1/4" NPT	
Outlet Ports (all others).....	(2) 3/4" NPT	

Materials Used

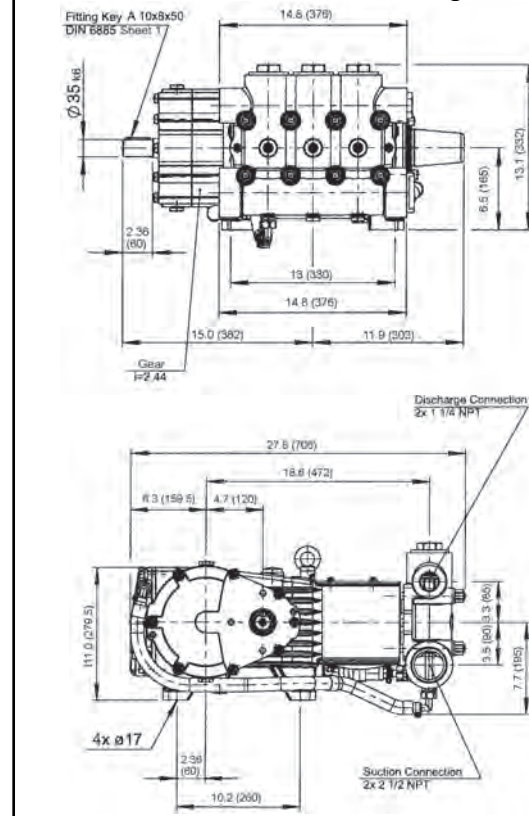
Manifold.....Nickel Plated Spheroidal Cast Iron
 Plunger.....Solid ceramic oxide
 Valves.....Stainless Steel
 Seals.....Nitrile with Fabric Reinforcing
 Crankcase.....Spheroidal Cast Iron

Gear Ratios	Input Speed
1.9.....	1500 RPM
2.25.....	1800 RPM
2.73.....	2200 RPM

Gearbox available in 0° and 180° orientations



Solid Pinion Shaft Drive with gearbox



Repair Kits

Kit	Part Number	List Price
Plunger Packing Kit:		
(GP7532GB)	09519	\$761.53
(GP7655GB)	09220	\$693.33
Complete Valve Kit:		
(GP7532GB)	09520	\$2,140.43
Oil Seal Kit:	09221	\$160.63

* One Valve Assembly per kit

High Flow Pumps

Model	Flow	Pressure	Speed	Power Required	Plunger Diameter	Price
	GPM (LPM)	PSI (Bar)	RPM	HP (kW)	in (mm)	
GP7622	12.7 (48.0)	15,000 (1000)	800	126.4 (94.3)	0.87 (22)	\$44,340.00



Common Specifications & Materials

	U.S.	(Metric)
Stroke	2.28"	(58 mm)
Max. Inlet Temperature	104 °F	(40 °C)
Weight	379 lbs	(172 kg)
Crankcase Oil Capacity	1.9 Gal	(7.2 Liters)
Inlet Ports	(2) 1" BSP	
Outlet Ports.....	(2) M24 x 1.25	

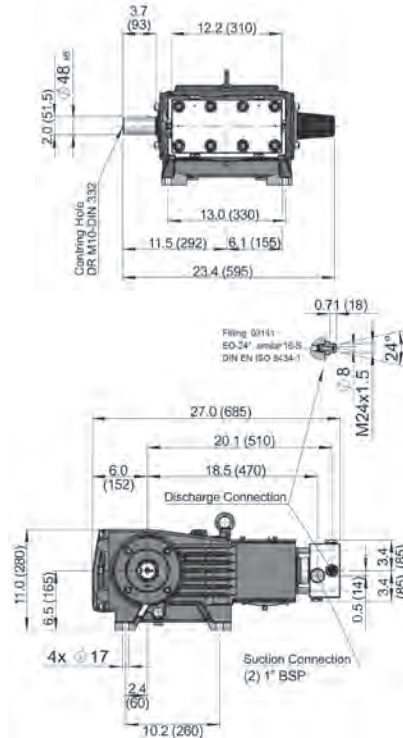
Materials Used

Manifold	Stainless Steel
Plunger	Hard Metal Coating
Valves	Duplex Stainless Steel
Seals	Aaramid Packing
Crankcase	Spheroidal Cast Iron

Repair Kits

Kit	Part Number	List Price
Plunger Packing Kit	09853	\$1,511.24
Valve Kit:	09854	\$1,345.32
Oil Seal Kit:	09221	\$160.63

GP7622 Dimensions



High Flow Pumps

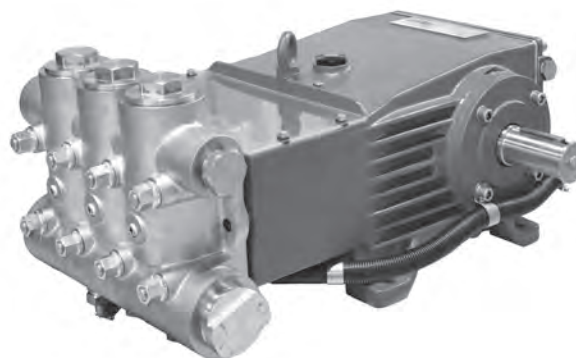
Model	Flow	Pressure	Speed	Power Required	Plunger Diameter	Price
	GPM (LPM)	PSI (Bar)	RPM	HP (kW)	in (mm)	
GP7645	55.5 (210)	3000 (200)	800	115 (85.8)	1.77 (45)	\$21,130.00
GP7650	69.7 (264)	2540 (175)	800	122 (91.0)	1.97 (50)	\$21,130.00
GP7655	84.5 (320)	2000 (140)	800	117 (87.3)	2.17 (55)	\$21,130.00

Common Specifications & Materials

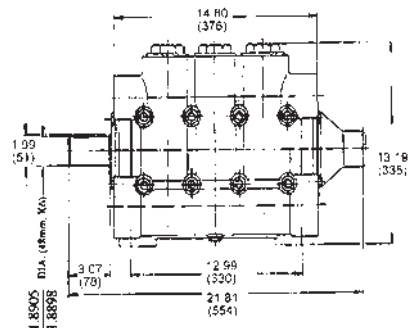
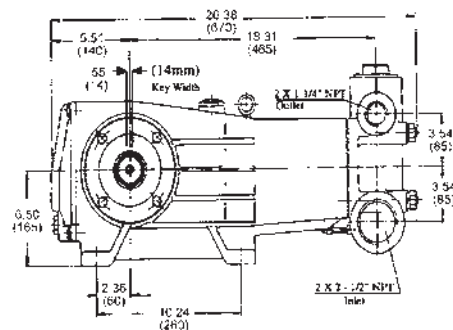
	U.S.	(Metric)
Stroke	2.28"	(58 mm)
Max. Inlet Temperature	86 °F	(30 °C)
Weight	408 lbs	(185 kg)
Crankcase Oil Capacity	1.6 Gal	(6.0 Liters)
Inlet Ports	(2) 2-1/2" NPT	
Outlet Ports.....	(2) 1-1/4" NPT	

Materials Used

Manifold	Nickel Plated Spheroidal Cast Iron
Plunger	Solid ceramic oxide
Valves	Stainless Steel
Seals	Nitrile with Fabric Reinforcing
Crankcase	Spheroidal Cast Iron



GP7645/GP7650/GP7655 Dimensions



Repair Kits

Kit	Part Number	List Price
Plunger Packing Kit:		
(GP7645)	09603	\$704.27
(GP7650)	09526	\$675.03
(GP7655):	09220	\$693.33
Inlet Valve Kit:	09659*	\$348.14
Discharge Valve Kit:	09660*	\$387.13
Oil Seal Kit:	09221	\$160.63

* One Valve Assembly per kit

High Flow/Gearbox/Solid Pinion Shaft

Model	Flow	Pressure	Speed	Power Required	Plunger Diameter	Price
	GPM (LPM)	PSI (Bar)	RPM	HP (kW)	in (mm)	
GP7645GB	55.5 (210)	3000 (200)	800	111 (82.3)	1.77 (45)	\$25,875.00
GP7650GB	70.0 (264)	2540 (175)	800	121 (90.0)	1.97 (50)	\$25,875.00
GP7655GB	84.5 (320)	2000 (140)	800	118 (88.0)	2.17 (55)	\$25,875.00

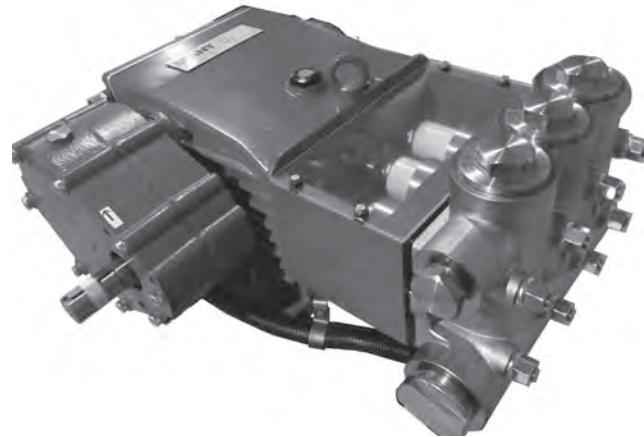
Common Specifications & Materials

	U.S.	(Metric)
Stroke	2.28"	(58 mm)
Max. Inlet Temperature	86 °F	(30 °C)
Weight	474 lbs	(215 kg)
Crankcase Oil Capacity	2.1 Gal	(8 Liters)
Inlet Ports	(2) 2-1/2" NPT	
Outlet Ports	(2) 1-1/4" NPT	

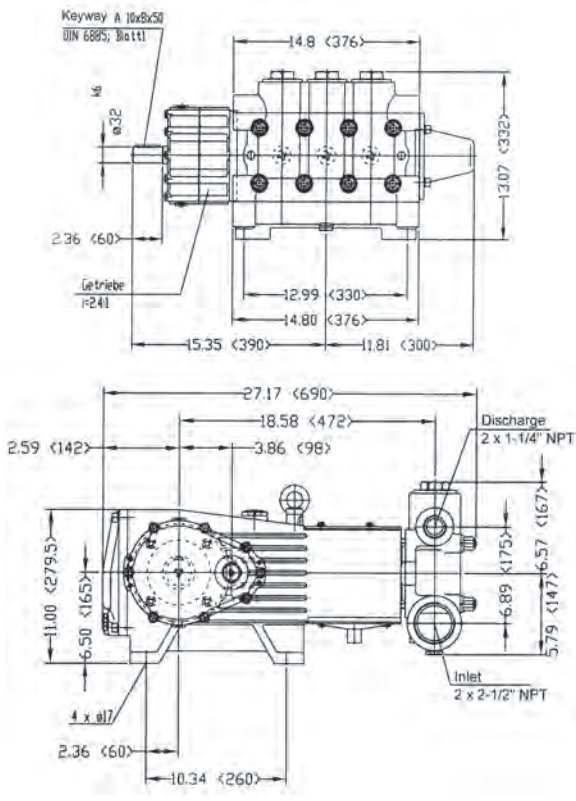
Materials Used
 ManifoldNickel Plated Spheroidal Cast Iron
 Plunger Solid ceramic oxide
 ValvesStainless Steel
 Seals Nitrile with Fabric Reinforcing
 CrankcaseSpheroidal Cast Iron

Gear Ratios	Input Speed
1.9	1500 RPM
2.25	1800 RPM
2.73	2200 RPM

Gearbox available in 0° and 180° orientations



Solid Pinion Shaft Drive with gearbox



Repair Kits

Kit	Part Number	List Price
Plunger Packing Kit:		
(GP7645)	09603	\$704.27
(GP7650)	09526	\$675.03
(GP7655)	09220	\$693.33
Inlet Valve Kit:	09659*	\$348.14
Discharge Valve Kit:	09660*	\$387.13
Oil Seal Kit:	09221	\$160.63

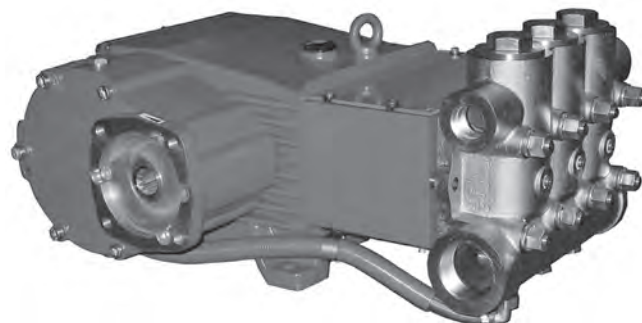
* One Valve Assembly per kit

GP7600GBHS Series



High Flow Gearbox/Hydraulic Drive

Model	Flow	Pressure	Speed	Power Required	Plunger Diameter	Price
	GPM (LPM)	PSI (Bar)	RPM	HP (kW)	in (mm)	
GP7645GBHS	55.5 (210)	3000 (200)	800	110 (82.5)	1.77 (45)	\$26,705.00
GP7650GBHS	70.0 (264)	2540 (175)	800	121 (90.0)	1.97 (50)	\$26,705.00
GP7655GBHS	84.5 (320)	2000 (140)	800	118 (88.0)	2.17 (55)	\$26,705.00



Common Specifications & Materials

	U.S.	(Metric)
Stroke	2.28"	(58 mm)
Max. Inlet Temperature.....	86 °F	(30 °F)
Weight	476 lbs	(216 kg)
Crankcase Oil Capacity	1.6 Gal.	(6.0 Liters)
Inlet Ports	(2) 2-1/2" NPT	
Outlet Ports.....	(2) 1-1/4" NPT	

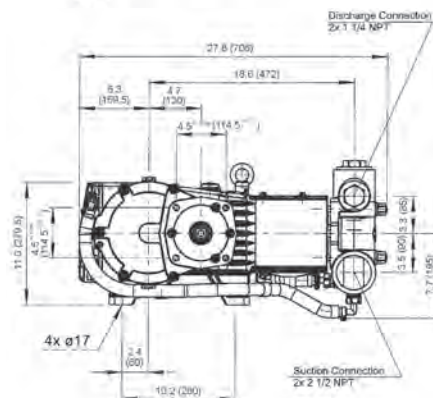
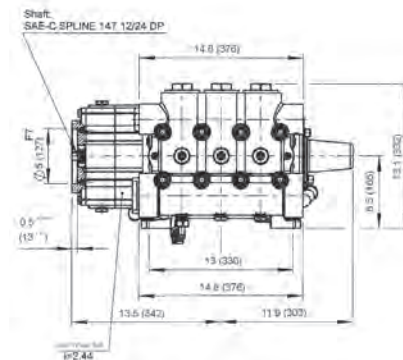
Materials Used

Manifold	Nickel-Plated Spheroidal Cast Iron
Plunger	Solid ceramic oxide
Valves	Duplex Steel/Plastic Retainer
Seals	Nitrile with Fabric Reinforcing
Crankcase	Spheroidal Cast Iron

Gear Ratios	Input Speed
2.25.....	1800 RPM
2.44.....	2000 RPM
2.73.....	2200 RPM

Gearbox available in 0° and 180° orientations

Hydraulic Drive with gearbox



Repair Kits / Accessories

Kit	Part Number	List Price
Plunger Packing Kit:		
(GP7645):	09603	\$704.27
(GP7650)	09526	\$675.03
(GP7655):	09220	\$693.33
Inlet Valve Kit:	09659*	\$348.14
Discharge Valve Kit:	09660*	\$387.13
Oil Seal Kit:	09221	\$160.63
Anti-Seize	03325**	\$7.22

* One Valve Assembly per kit

**Commercial Discount

High Pressure Pumps

Model	Flow	Pressure	Speed	Power Required	Plunger Diameter	Price
	GPM (LPM)	PSI (Bar)	RPM	HP (kW)	in (mm)	
GP8035A	29.1 (110)	7250 (500)	580	142 (106)	1.38 (35)	\$57,030.00
GP8040A	39.6 (150)	5500 (380)	580	146 (109)	1.57 (40)	\$57,030.00

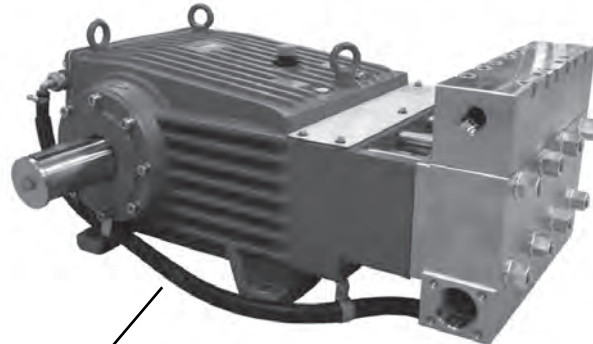
Common Specifications & Materials

	U.S.	(Metric)
Stroke	2.83"	(72 mm)
Max. Inlet Temperature	86 °F	(30 °C)
Weight (w/ gearbox)	793 lbs	(360 kg)
Crankcase Oil Capacity	3.3 Gal	(12.5 Liters)
Inlet Ports	(2) 2" NPT*	
Outlet Ports.....	(2) 1" NPT*	

Materials Used

Manifold	Stainless Steel
Plunger	AISI 303 Stainless Steel
Valves	Stainless Steel
Seals	Nitrile with Fabric Reinforcing
Crankcase	Spheroidal Cast Iron

*BSP Versions available upon request



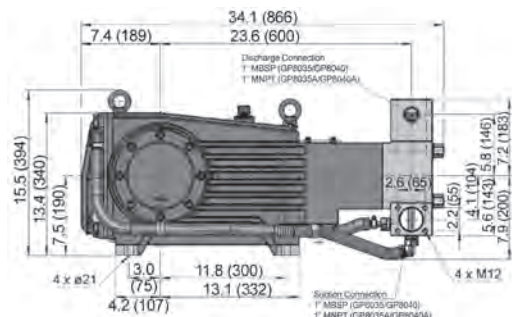
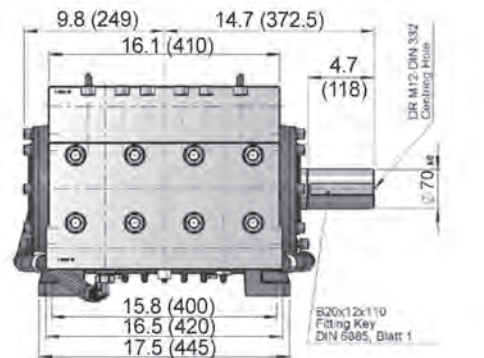
Integrated water - cooled gear end on all pumps

GP8035/40 Shown

Repair Kits

Kit	Part Number	List Price
Plunger Packing Kit:	09707	\$2,324.73
Inlet Valve Kit:	09709	\$1,110.81
Discharge Valve Kit:	09710	\$1,096.33
Oil Seal Kit:	09584A	\$321.48

GP8035/GP8045 - Dimensions (mm)



GP8135/GP8140 Pumps

High Pressure Pumps with gearbox

Model	Flow	Pressure	Speed	Power Required	Plunger Diameter	Price
	GPM (LPM)	PSI (Bar)	RPM	HP (kW)	in (mm)	
GP8135	29.0 (110)	7250 (500)	580	154 (108)	1.38 (35)	\$61,065.00
GP8140	39.6 (150)	5510 (380)	580	144 (107)	1.57 (40)	\$61,065.00

Common Specifications & Materials

	U.S.	(Metric)
Stroke	2.83"	(72 mm)
Max. Inlet Temperature	86 °F	(30 °C)
Weight (w/ gearbox)	800 lbs	(363 kg)
Crankcase Oil Capacity	4.2 Gal	(16.0 Liters)
Inlet Ports	(2) 2" NPT*	
Outlet Ports.....	(2) 1" NPT*	

Materials Used

Manifold	Stainless Steel
Plunger	AISI 303 Stainless Steel
Valves	Stainless Steel
Seals	Nitrile with Fabric Reinforcing
Crankcase	Spheroidal Cast Iron

Gear Ratios Input Speed

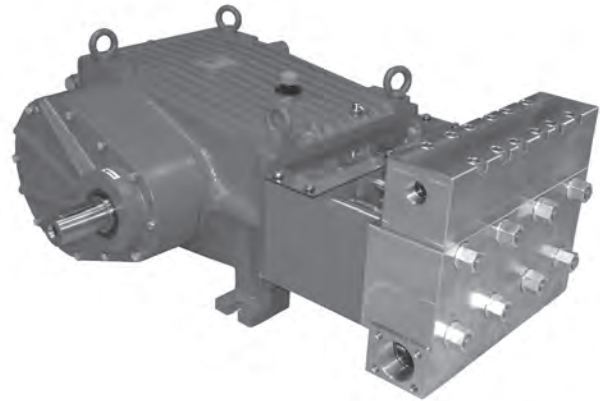
2.6.....	1500 RPM
3.1.....	1800 RPM
3.8.....	2200 RPM
4.5.....	2600 RPM

*BSP versions available upon request

Gearbox available in 0° and 180° orientations

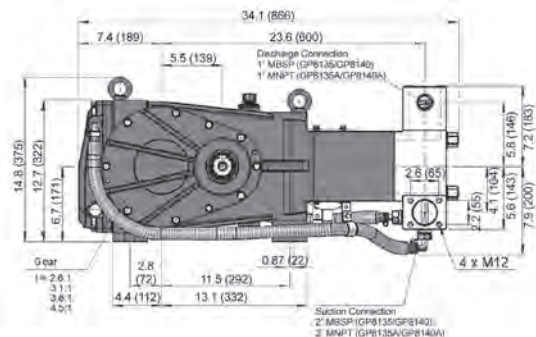
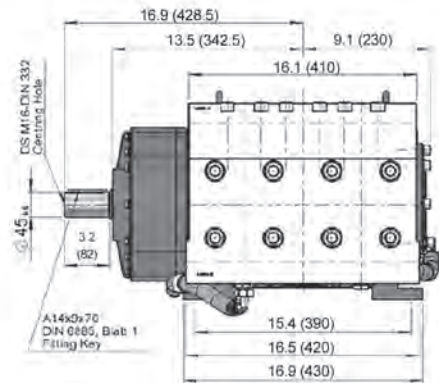
Repair Kits

Kit	Part Number	List Price
Plunger Packing Kit:	09707	\$2,324.73
Inlet Valve Kit:	09709	\$1,110.81
Discharge Valve Kit:	09710	\$1,096.33
Oil Seal Kit:	09584A	\$321.48



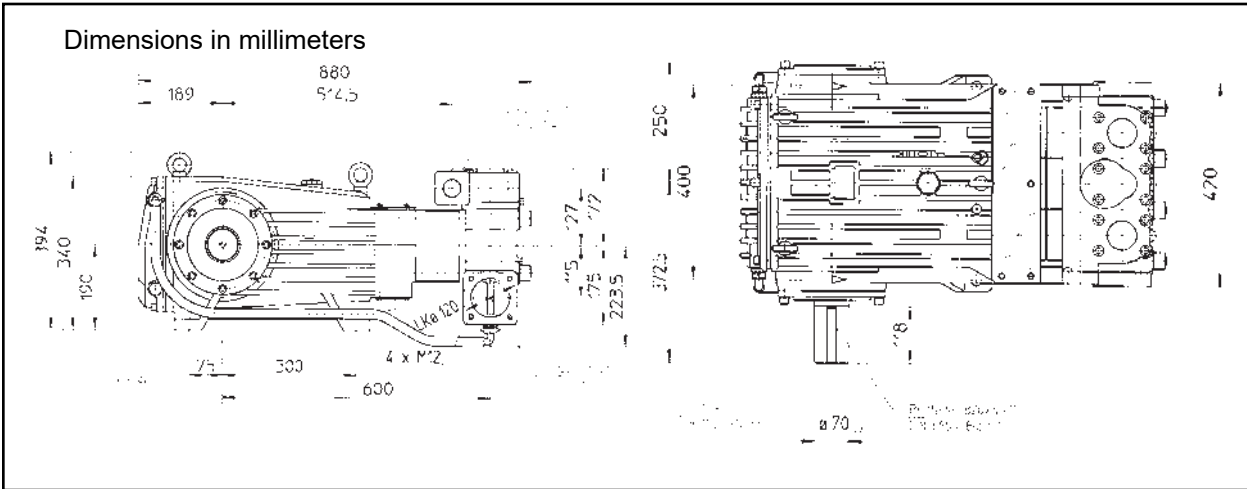
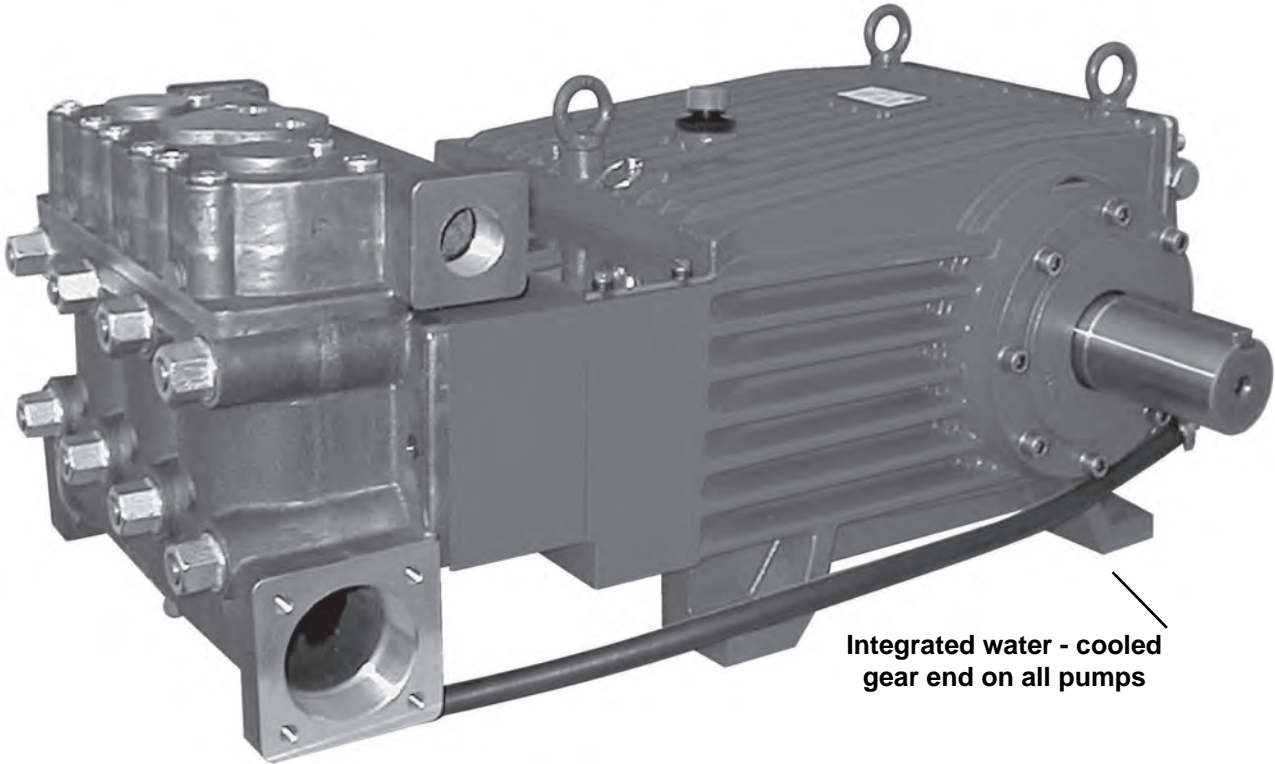
GP8135/40 Shown

GP8135/GP8145 - Dimensions (mm)



GP8000 Series

High Flow Pumps



High Flow Pumps

Model	Flow	Pressure	Speed	Power Required	Plunger Diameter	Price
	GPM (LPM)	PSI (Bar)	RPM	HP (kW)	in (mm)	
GP8045	48.8 (185)	4350 (300)	580	146 (109)	1.77 (45)	\$36,020.00
GP8048	56.3 (213)	3770 (260)	580	148 (110)	1.89 (48)	\$36,020.00
GP8055 ⁺	75.3 (285)	3000 (200)	580	150 (112)	2.17 (55)	\$37,055.00
GP8055-Brine	74.8 (283)	3000 (200)	580	150 (112)	2.17 (55)	\$60,135.00
GP8060	90.0 (340)	2465 (170)	580	147 (110)	2.36 (60)	\$37,055.00
GP8060-Brine	89.8 (340)	2465 (170)	580	161 (120)	2.36 (60)	\$56,820.00
GP8065 ⁺	105.7 (400) / 120* (45.5)*	2000 (140)	580 / 657*	142 (106)	2.55 (65)	\$37,055.00
GP8065-Brine	105.7 (400)	2000 (140)	580	150 (112)	2.55 (65)	\$60,135.00
GP8076	132 (500)	1500 (100)	520	129 (96)	2.99 (76)	\$45,125.00
GP8265	127 (480)	1740 (120)	700	147 (106)	2.55 (65)	\$46,525.00

* Intermittent duty

- + GP8055-SSP - With Stainless Steel Plungers - \$39,125.00
- GP8065-SS - With Stainless Steel Plungers - \$40,470.00

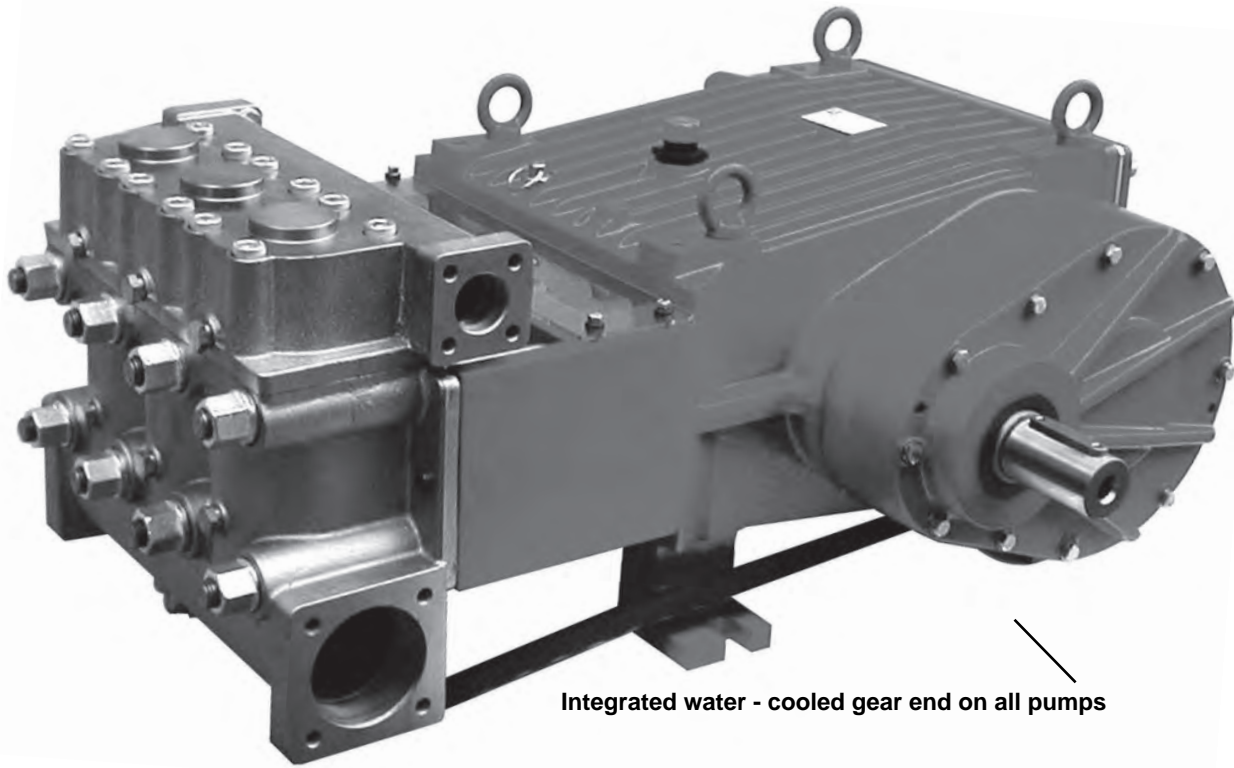
Repair Kits

Kit	Part Number	List Price
<u>Plunger Packing Kit:</u>		
GP8045:	09626	\$1,367.46
GP8048:	09627	\$1,606.85
GP8055:	09616	\$696.44
GP8060:	09617	\$1,431.27
GP8065/GP8265:	09586	\$1,205.76
GP8076:	09861	\$2,167.47
<u>Inlet Valve Kit:</u>		
GP8045/GP8048	09818	\$1,303.37
GP8055/GP8060/GP8065	09587	\$1,046.87
<u>Discharge Valve Kit:</u>		
GP8045/GP8048:	09819	\$1,466.69
GP8055/GP8060/GP8065:	09588	\$1,205.63
<u>Complete Valve Kit:</u>		
GP8076:	09862	\$3,135.77
GP8265:	09865	\$3,409.71
<u>Oil Seal Kits:</u>		
All other pumps:	09584	\$260.69
GP8076/GP8265:	09584A	\$321.48

Common Specifications & Materials

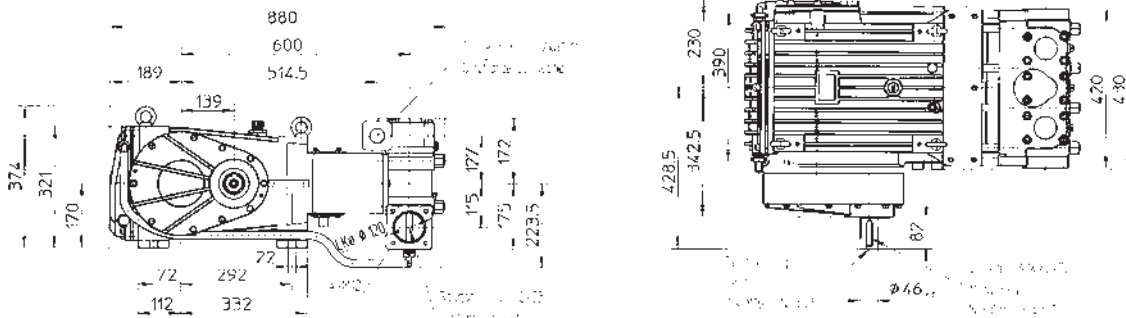
	U.S.	(Metric)
Stroke	2.83"	(72 mm)
Max. Inlet Temperature	86 °F	(30 °C)
Weight	749 lbs.	(340 kg)
Crankcase Oil Capacity	3.3 Gal.	(12.5 L)
Inlet Ports	(2) 3" BSP	
Outlet Ports	(2) 1-1/4" BSP	
Materials Used		
Manifold	Nickel Plated Spheroidal Cast Iron	
Manifold (-1000)	Bronze	
Manifold (-Brine)	Nickel Aluminum Bronze	
Plunger	Solid Ceramic Oxide	
Valves	Duplex Stainless Steel	
Seals	Nitrile with Fabric Reinforcing	
Crankcase	Spheroidal Cast Iron	

Gearbox w/Solid Pinion Shaft



Integrated water - cooled gear end on all pumps

Dimensions in millimeters



Gearbox w/Solid Pinion Shaft

Model	Flow	Pressure	Speed	Power Required	Plunger Diameter	Price
	GPM (LPM)	PSI (Bar)	RPM	HP (kW)	in (mm)	
GP8145	56.3 (213)	4350 (300)	580	148 (110)	1.89 (48)	\$39,850.00
GP8148	56.0 (213)	3770 (260)	580	148 (110)	1.89 (48)	\$39,850.00
GP8155	75.3 (285)	3000 (200)	580	145 (108)	2.17 (55)	\$39,850.00
GP8155-Brine	74.8 (283)	2900 (200)	580	150 (112)	2.17 (55)	\$60,135.00
GP8160	90.0 (337)	2500 (170)	580	147 (110)	2.36 (60)	\$39,850.00
GP8160-Brine	89.8 (340)	2465 (170)	580	153 (114)	2.36 (60)	\$60,135.00
GP8165	105.6 (400)/ 120 (455)*	2000 (140)	580/658*	142 (106)	2.55 (65)	\$39,850.00
GP8165-Brine	105.6 (400)	2000 (140)	580	146 (109)	2.55 (65)	\$60,135.00
GP8176	132 (500)	1500 (100)	520	129 (96)	2.99 (76)	\$47,770.00

* Intermittent duty

Repair Kits

Kit	Part Number	List Price
<u>Plunger Packing Kit:</u>		
(GP8045):	09626	\$1,367.46
(GP8048):	09627	\$1,606.85
(GP8055):	09616	\$696.44
(GP8060):	09617	\$1,431.27
(GP8065):	09586	\$1,205.76
<u>Inlet Valve Kit:</u>		
GP8045/GP8048	09818	\$1,303.37
GP8145/GP8148	09725	\$1,447.21
GP8055/GP8060/GP8065	09587	\$1,046.87
<u>Discharge Valve Kit:</u>		
GP8045/GP8048	09819	\$1,466.69
GP8145/GP8148	09726	\$1,560.87
GP8055/GP8060/GP8065	09588	\$1,205.63
Oil Seal Kit:	09584A	\$321.48

Common Specifications & Materials

	U.S.	(Metric)
Stroke	2.83"	(72 mm)
Max. Inlet Temperature	86 °F	(30 °C)
Weight	794 lbs	(360 kg)
Crankcase Oil Capacity	3.3 Gal	(12.5 L)
Crankcase Oil Capacity (gearbox)	4.2 Gal	(16.0 L)
Inlet Ports	(2) 3" BSP	
Outlet Ports	(2) 1-1/4" BSP	

Materials Used

Manifold Nickel Plated Spheroidal Cast Iron
 Manifold (-1000) Bronze
 Manifold (-Brine) Nickel Aluminum Bronze
 Plunger Solid Ceramic Oxide
 Valves Duplex Steel/Plastic Retainer
 Seals Nitrile with Fabric Reinforcing
 Crankcase Spheroidal Cast Iron

Gear Ratios	Input Speed
2.6	1500 RPM
3.1	1800 RPM
3.8	2200 RPM
4.5	2600 RPM

Gearbox also available in Reverse Position

GP8100 Series

High Flow Pump - Gearbox w/Solid Pinion Shaft

Model	Flow	Pressure	Speed	Power Required	Plunger Diameter	Price
	GPM (LPM)	PSI (Bar)	RPM	HP (kW)	in (mm)	
GP8155GB-180	75.3 (285)	3000 (200)	580	150 (112)	2.17 (55)	\$41,295.00
GP8160GB-180	90.0 (340)	2500 (170)	580	155 (116)	2.36 (60)	\$41,295.00
GP8165GB-180	105.7 (400)	2000 (140)	580	153 (114)	2.55 (65)	\$41,295.00

Common Specifications & Materials

	U.S.	(Metric)
Stroke	2.83"	(72 mm)
Max. Inlet Temperature.....	86 °F	(30 °C)
Weight (approx.).....	775 lbs	(352 kg)
Crankcase Oil Capacity.....	4.2 Gal...	(16.0 Liters)
Inlet Ports	(2) 3" BSP	
Outlet Ports.....	(2) 1-1/4" BSP	

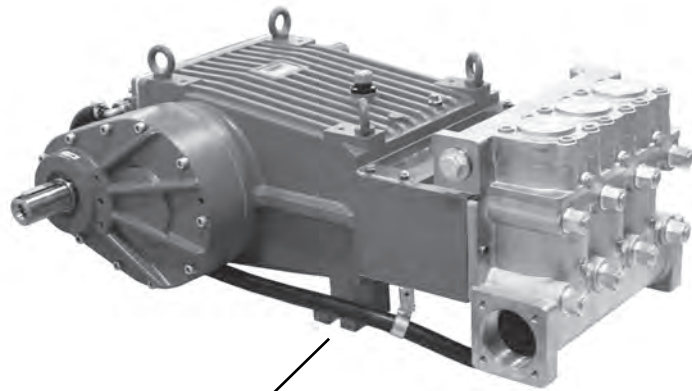
Materials Used

Manifold.....	Nickel Plated Spheroidal Cast Iron
Plunger.....	Solid Ceramic Oxide
Valves.....	Duplex Stainless Steel
Seals	Nitrile with Fabric Reinforcing
Crankcase	Spheroidal Cast Iron

Gear Ratios Input Speed

2.6.....	1500 RPM
3.1.....	1800 RPM
3.8.....	2200 RPM
4.5.....	2600 RPM

Gearbox in Reverse Position

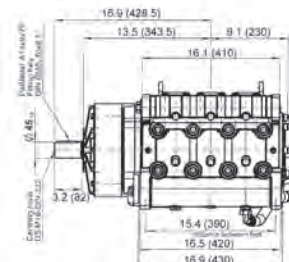
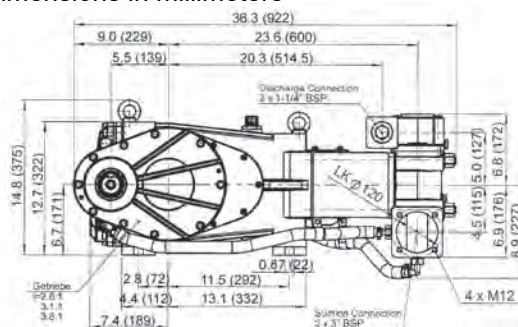


Integrated water - cooled gear end on all pumps

Repair Kits

Kit	Part Number	List Price
Plunger Packing Kit :		
(GP8155):	09616	\$696.44
(GP8160):	09617	\$1,431.27
(GP8165):	09586	\$1,205.76
Inlet Valve Kit:	09587	\$1,046.87
Discharge Valve Kit:	09588	\$1,205.63
Oil Seal Kit:	09584A	\$321.48

Dimensions in millimeters



GP8100 Series

Hydraulic Drive Pumps with Splined Shaft

Model	Flow	Pressure	Speed	Power Required	Plunger Diameter	Price
	GPM (LPM)	PSI (Bar)	RPM	HP (kW)	in (mm)	
GP8155GBHS	75.3 (285)	3000 (200)	580	145 (108)	2.17 (55)	\$41,400.00
GP8160GBHS	90.0 (340)	2500 (170)	580	147 (110)	2.36 (60)	\$41,400.00
GP8165GBHS	106.0 (400)	2000 (140)	580	142 (106)	2.55 (65)	\$41,400.00

Common Specifications & Materials

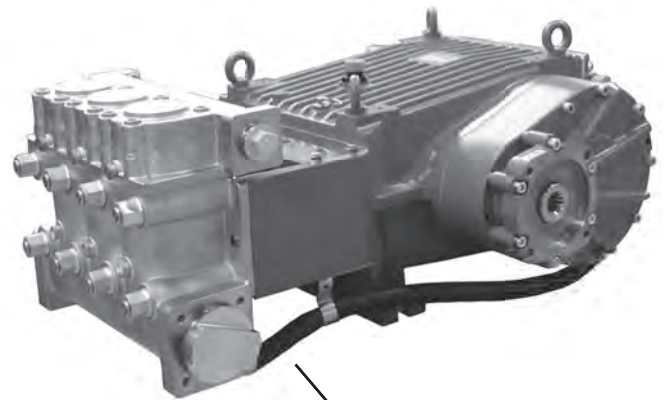
	U.S.	(Metric)
Stroke	2.83"	(72 mm)
Max. Inlet Temperature	86 °F	(30 °C)
Weight (w/o gearbox)	793 lbs	(360 kg)
Crankcase Oil Capacity	4.2 Gal	(16.0 Liters)
Inlet Ports	(2) 3" BSP	
Outlet Ports	(2) 1-1/4" BSP	

Materials Used

Manifold Nickel Plated Spheroidal Cast Iron
 Plunger Solid Ceramic Oxide
 Valves Duplex and Standard Stainless Steel
 Seals Nitrile with Fabric Reinforcing
 Crankcase Spheroidal Cast Iron

Gear Ratio **3.8:1**

Gearbox also available in Reverse Position

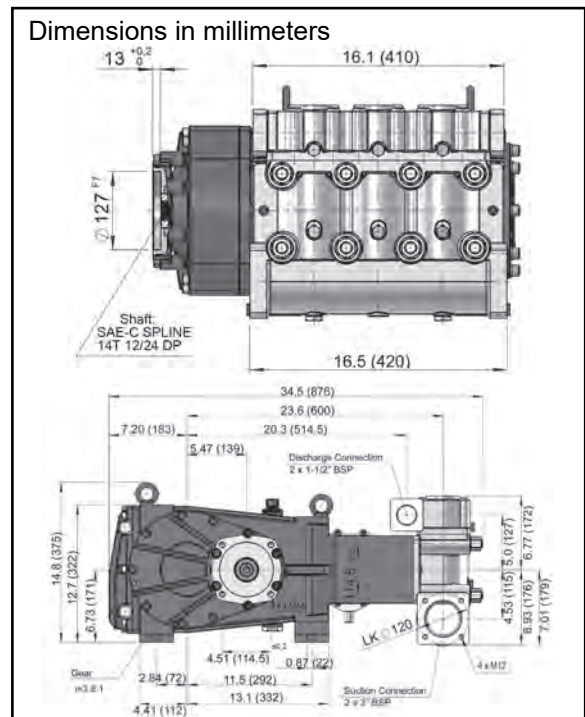


Integrated water - cooled gear end on all pumps

Repair Kits / Accessories

Kit	Part Number	List Price
Plunger Packing Kit		
(GP8155):	09616	\$696.44
(GP8160):	09617	\$1,431.27
(GP8165):	09586	\$1,205.76
Inlet Valve Kit:	09587	\$1,046.87
Discharge Valve Kit:	09588	\$1,205.63
Oil Seal Kit:	09584A	\$321.48
Anti-Seize:	03325*	\$7.22

*Commercial Discount



Specialty Pumps:

-Seawater/Brine Water Pumps

-Corrosion Resistant Pumps

-High Temperature Pumps (220 °F)

-High Temperature Pumps (195 °F)

-CO₂ Pumps

-Machine Tool Pumps

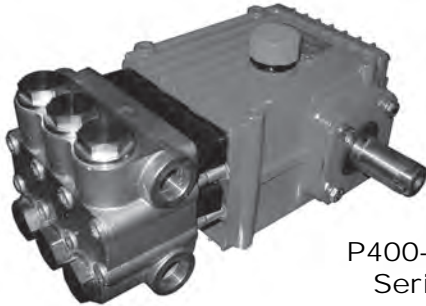
-Bentonite Pumps

-Pentane Pumps

(pages 83 to 91)

Nickel Aluminum-Bronze

These pumps can withstand the corrosive effect of certain types of fluid. Built with either Nickel-Aluminum-Bronze, AISI 316 stainless steel or Duplex stainless steel. Typical applications for these pumps are reverse osmosis (desalination), brine pumping, waste-water injection, chemical processing, humidification, misting, and degreasing/cleaning for industrial applications.



P400-3100 Series



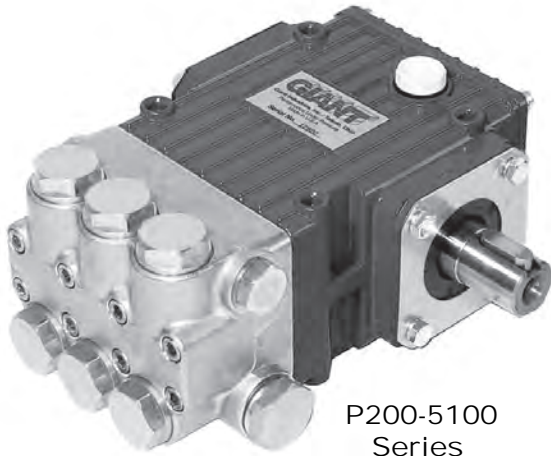
GP7155-3100 Pump

Model	Flow	Pressure	Speed	Power Required	Plunger Diameter	Price
	GPM (LPM)	PSI (Bar)	RPM	HP (kW)	in (mm)	
P230-3100	1.1 (4.2)	2200 (150)	1750	1.5 (1.1)	0.71 (18)	\$1,845.00
P221-3100	2.3 (8.9)	2200 (150)	1750	3.3 (2.5)	0.71 (18)	\$1,845.00
P217-3100	3.3 (12.5)	2200 (150)	3450	5.0 (3.7)	0.71 (18)	\$1,845.00
P218-3100	3.4 (12.8)	2200 (150)	1750	4.7 (3.5)	0.71 (18)	\$1,845.00
P219-3100	4.2 (15.9)	2200 (150)	1750	5.8 (4.3)	0.71 (18)	\$1,845.00
P220-3100	4.7 (17.6)	2200 (150)	1750	6.5 (4.9)	0.71 (18)	\$1,845.00
P55-3100	4.8 (18.1)	1900 (130)	1420	6.3 (4.7)	0.71 (18)	\$2,825.00
P450-3100	5.5 (21)	5100 (350)	1450	19.2 (14.3)	0.71 (18)	\$5,815.00
P56-3100	6.1 (23.0)	1900 (130)	1420	8.0 (6.0)	0.71 (18)	\$2,825.00
P435-3100	6.6 (25)	3625 (250)	1450	16.6 (12.4)	0.71 (18)	\$5,815.00
P423-3100	8.2 (31.1)	2900 (200)	1450	16.4 (12.2)	0.87 (22)	\$5,815.00
P422-3100	9.9 (37.5)	2610 (180)	1450	17.8 (13.3)	0.87 (22)	\$5,815.00
P425-3100	10.6 (40.4)	2500 (170)	1450	18.1 (13.5)	0.98 (25)	\$5,815.00
P420-3100	12.8 (48.4)	2200 (150)	1450	19.2 (14.3)	0.98 (25)	\$5,815.00
MP4130-3100	15.4 (58.3)	1600 (110)	1100	17.0 (12.7)	1.2 (30)	\$9,420.00
MP4135-3100	18.0 (68.1)	1600 (110)	1100	19.9 (14.8)	1.2 (30)	\$9,420.00
LP250A-3100	25.7 (97.3)	2030 (140)	1000	36.0 (26.9)	1.3 (32)	\$12,835.00
LP122A-3100	35.4 (134.0)	1300 (90)	800	31.7 (23.6)	1.7 (42)	\$12,835.00
GP6145-3100	46.5 (175.9)	1740 (120)	800	55.8 (41.6)	1.8 (45)	\$26,080.00
GP8045-3100	48.9 (185)	4350 (185)	580	146.7 (109.4)	1.8 (45)	\$72,000.00
GP8048-3100	56.3 (215)	3770 (260)	580	146.4 (109.2)	1.9 (48)	\$72,000.00
GP7155-3100	65.8 (249.1)	1500 (100)	700	65.7 (49.0)	2.2 (55)	\$39,745.00
GP8055-3100	74.8 (285)	2900 (200)	580	161.8 (120.7)	2.2 (55)	\$72,000.00
GP8060-3100	90.0 (340)	2465 (170)	580	153.0 (114.1)	2.4 (60)	\$72,000.00
GP8065-3100	105.6 (400)	2030 (140)	580	150.0 (111.9)	2.6 (65)	\$72,000.00

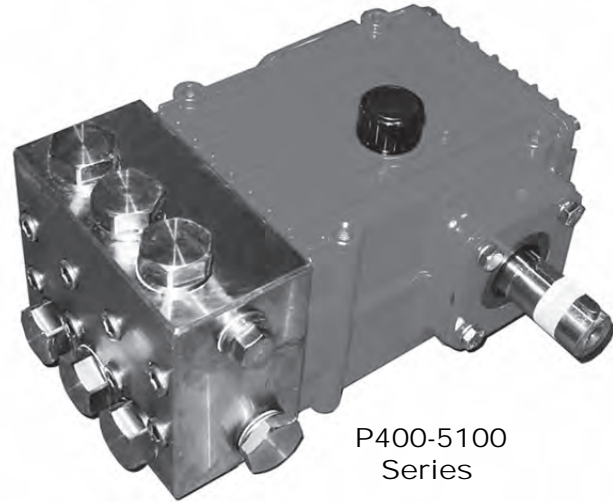
Corrosion Resistant Pumps



AISI 316 Stainless Steel



P200-5100 Series



P400-5100 Series

Model	Flow	Pressure	Speed	Power Required	Plunger Diameter	Price
	GPM (LPM)	PSI (Bar)	RPM	HP (kW)	in (mm)	
P205-5100 ¹	0.38 (1.4)	2500 (170)	1750	0.7 (0.5)	0.47 (12)	\$2,340.00
P206-5100 ⁶	0.73 (2.8)	2200 (150)	1750	1.0 (0.7)	0.47 (12)	\$2,340.00
P230-5100 ^{2,4}	1.1 (4.2)	2200 (150)	1750	1.7 (1.2)	0.71 (18)	\$2,340.00
P209-5100 ⁶	1.5 (5.7)	2200 (150)	1750	2.1 (1.6)	0.47 (12)	\$2,340.00
P227-5100	2.1 (8.0)	2200 (150)	1750	2.9 (2.2)	0.71 (18)	\$2,340.00
P221-5100 ^{1,5}	2.3 (8.9)	2200 (150)	1750	3.5 (2.6)	0.71 (18)	\$2,340.00
P217-5100 ^{1,5}	3.3 (12.5)	2200 (150)	3450	5.0 (3.7)	0.71 (18)	\$2,340.00
P218-5100	3.4 (12.8)	2200 (150)	1750	5.2 (3.8)	0.71 (18)	\$2,340.00
P55-5100 ^{3*}	3.9 (14.7)	2320 (160)	1420	7.8 (5.8)	0.71 (18)	\$5,000.00
P219-5100 ^{1,3,4}	4.2 (15.9)	2200 (150)	1750	6.4 (4.8)	0.71 (18)	\$2,340.00
P220-5100 ^{1,4}	4.7 (17.6)	2200 (150)	1750	7.1 (5.3)	0.71 (18)	\$2,340.00
P450-5100 ^{3,4,5}	5.5 (20.8)	5075 (350)	1450	19.2 (14.3)	0.71 (18)	\$8,785.00
P56-5100 ^{3,7}	6.1 (23.1)	1885 (130)	1420	7.9 (5.9)	0.79 (20)	\$5,000.00
P435-5100	6.6 (25.0)	3625 (250)	1450	16.6 (12.4)	0.71 (18)	\$7,625.00
P423-5100	8.2 (31.1)	3000 (200)	1450	16.4 (12.2)	0.87 (22)	\$8,760.00
LP600-5100	9.8 (37.0)	5800 (400)	1000	39.5 (29.5)	0.79 (20)	\$15,950.00
P422-5100	9.9 (37.3)	2600 (180)	1450	17.7 (13.2)	0.87 (22)	\$8,760.00
P425-5100	10.6 (40.4)	2500 (170)	1450	18.1 (13.5)	0.98 (25)	\$7,625.00
P420-5100 ^{1,3}	12.8 (48.4)	2200 (150)	1450	19.2 (14.3)	0.98 (25)	\$7,625.00

¹ (-5111) 316 SS with Viton Packing and O-Rings

² (-5120) 316 SS with Teflon Packing

³ (-5121) 316 SS with Teflon Packing and Viton O-Rings

⁴ (-5123) 316 SS with Teflon Seals and EPDM O-Rings

⁵ (-5130) 316 SS with High Temp Seals

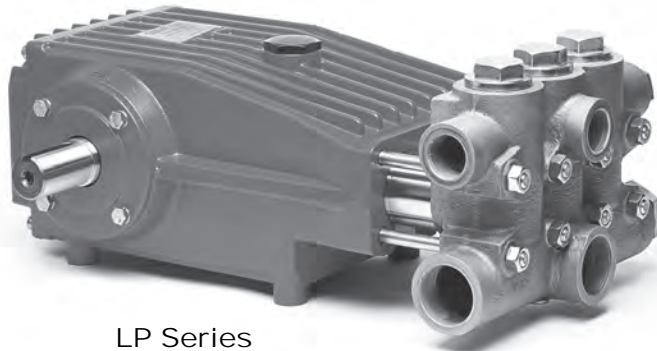
⁶ (-5180) 316 SS with Teflon Weep Seals and Nitrile V-Sleeves

⁷ (-5181) 316 SS with Teflon V-Sleeves

* Commercial Discount

Corrosion Resistant Pumps

AISI 316 Stainless Steel



LP Series



GP Series

Model	Flow	Pressure	Speed	Power Required	Plunger Diameter	Price
	GPM (LPM)	PSI (Bar)	RPM	HP (kW)	in (mm)	
MP4124-5100	12.8 (48.6)	2610 (180)	1450	23.0 (17.1)	0.94 (24)	\$14,900.00
LP301A-5100	14.2 (53.6)	3900 (270)	1000	39.2 (29.2)	0.94 (24)	\$15,950.00
MP4126-5100	17.9 (67.7)	1600 (110)	1100	20.4 (15.2)	1.2 (30)	\$14,900.00
LP200-5100	19.1 (72.2)	3000 (200)	1000	39.5 (29.5)	1.1 (28)	\$15,950.00
LP250A-5100	26 (98.3)	2200 (150)	1000	39.4 (29.4)	1.3 (32)	\$15,950.00
GP5132-5100	27.7 (104.9)	2900 (200)	1000	57.4 (42.8)	1.3 (32)	\$21,840.00
GP8035-5100	29 (110)	7250 (500)	580	145.5 (105.5)	1.4 (35)	\$81,195.00
LP121A-5100 ¹	32.5 (123.1)	1740 (120)	1000	39.0 (29.1)	1.4 (36)	\$15,950.00
GP5136-5100	33.8 (127.8)	2320 (160)	910	54.0 (40.3)	1.4 (36)	\$21,840.00
LP122A-5100	35.4 (134.0)	1300 (90)	800	33.1 (24.7)	1.7 (42)	\$17,490.00
GP7142-5100	38.4 (145.2)	2600 (180)	700	69.0 (51.5)	1.7 (42)	\$40,365.00
GP8040-5100	39.6 (150)	5510 (380)	580	150.5 (112.2)	1.6 (40)	\$81,195.00
GP5145-5100	43.5 (164.6)	1450 (100)	750	43.5 (32.5)	1.8 (45)	\$21,840.00
GP8045-5100	48.9 (185)	4350 (300)	580	146.7 (109.4)	1.8 (45)	\$81,195.00
GP7150-5100	54.4 (205.8)	1900 (130)	700	70.6 (52.7)	2.0 (50)	\$40,365.00
GP8048-5100	56.3 (213)	3770 (260)	580	146.4 (109.2)	1.9 (48)	\$81,195.00
GP7155-5100	65.8 (249.1)	1500 (100)	700	65.7 (49.0)	2.2 (55)	\$47,920.00
GP8055-5100	74.8 (283)	3000 (200)	580	161.8 (120.7)	2.2 (55)	\$81,195.00
GP8060-5100	90 (340)	2465 (170)	580	153.0 (114.1)	2.4 (60)	\$81,195.00
GP8065-5100	105.6 (400)	2030 (140)	580	150.0 (111.9)	2.6 (65)	\$81,195.00

¹ (-5123) 316 SS with Teflon Seals and EPDM O-Rings

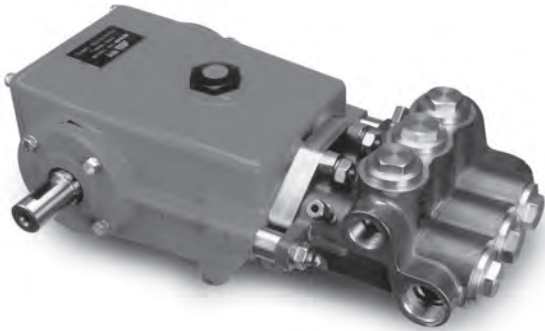
High Temperature/Boiler Feed Pumps 220 Degree Rating



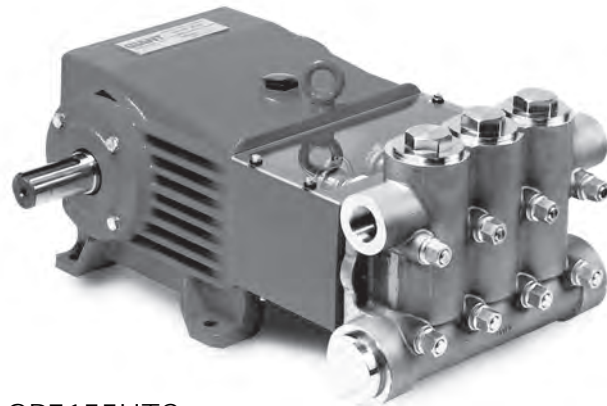
P56HT



LP121HT/LP121HTC



MP4130HTC



GP7155HTC

Model	Flow	Pressure	Speed	Power Required	Plunger Diameter	Price
	GPM (LPM)	PSI (Bar)	RPM	HP (kW)	in (mm)	
P46HT*	2.5 (9.3)	870 (60)	900	0.9 (0.7)	0.71 (18)	\$1,655.00
P56HT*	3.2 (12.2)	870 (60)	750	1.9 (1.4)	0.79 (20)	\$2,275.00
SP100HT	5.9 (22.5)	870 (60)	750	3.5 (2.6)	1.02 (26)	\$4,245.00
MP4130HTC	10.5 (39.7)	1160 (80)	750	8.4 (6.2)	1.18 (30)	\$8,150.00
MP4126HTC	12.2 (46.2)	1160 (80)	750	9.8 (7.3)	1.18 (30)	\$10,105.00
MP4135HTC	12.2 (46.2)	1160 (80)	750	9.8 (7.3)	1.18 (30)	\$10,105.00
LP121HT	17.7 (66.8)	1160 (80)	570	14.6 (10.9)	1.42 (36)	\$10,870.00
LP121HTC	17.7 (66.8)	1160 (80)	570	14.6 (10.9)	1.42 (36)	\$16,570.00
LP121A-4000HT	17.7 (66.8)	1160 (80)	570	14.6 (10.9)	1.42 (36)	\$17,330.00
GP7142HTC	25.1 (95.0)	1160 (80)	460	20.1 (15.0)	1.7 (42)	\$24,945.00
GP7142-4000HTC	25.1 (95.0)	1160 (80)	460	20.1 (15.0)	1.7 (42)	\$47,610.00
GP7155HTC	42.4 (160.3)	1160 (80)	460	34.9 (26.0)	2.17 (55)	\$46,295.00
GP7255AHTC	42.4 (160.3)	1160 (80)	460	34.9 (26.0)	2.17 (55)	\$33,740.00
GP8065HT-1000	75.3 (285)	1450 (80)	420	75.3 (56.1)	2.55 (65)	\$63,135.00

*Commercial Discount

High Temperature/High Pressure Pumps



195 Degree Rating



P200-0030 Series



P56HK



P300-0030 Series

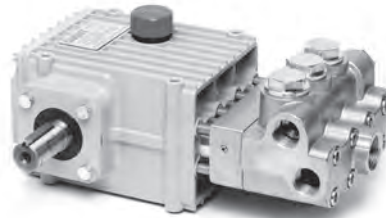


MP4130HK

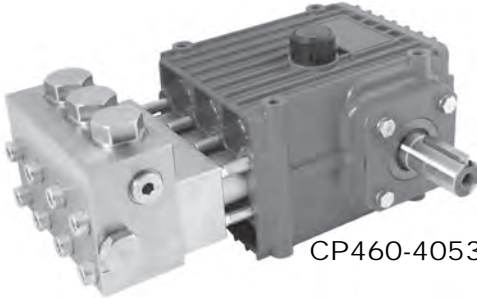
Model	Flow	Pressure	Speed	Power Required	Plunger Diameter	Price
	GPM (LPM)	PSI (Bar)	RPM	HP (kW)	in (mm)	
P230-0030	1.1 (4.2)	2000 (140)	1750	1.5 (1.1)	0.71 (18)	\$1,320.00
P217-0030	1.8 (6.8)	2000 (140)	1750	2.5 (1.9)	0.71 (18)	\$1,320.00
P221-0030	2.3 (8.9)	2000 (140)	1750	3.2 (2.4)	0.71 (18)	\$1,320.00
P49W-HK	2.7 (10.2)	2200 (150)	1420	4.1 (3.1)	0.71 (18)	\$1,775.00
P218-0030	3.4 (12.9)	2000 (140)	1750	4.7 (3.5)	0.71 (18)	\$1,320.00
P317-0030	3.5 (13.2)	2500 (175)	1750	6.0 (4.5)	0.71 (18)	\$1,365.00
P46W-HK	3.9 (14.7)	2200 (150)	1420	6.0 (4.5)	0.71 (18)	\$1,510.00
P219-0030	4.2 (15.9)	2000 (140)	1750	5.8 (4.3)	0.71 (18)	\$1,320.00
P220-0030	4.7 (17.8)	2000 (140)	1750	6.5 (4.8)	0.71 (18)	\$1,320.00
P316-0030	5.0 (18.9)	2500 (175)	1750	8.1 (6.0)	0.71 (18)	\$1,365.00
P319-0030	5.2 (19.7)	2500 (175)	1750	9.0 (6.8)	0.71 (18)	\$1,365.00
P455B-0030	5.5 (21.0)	4350 (300)	1450	19.3 (14.4)	0.71 (18)	\$3,105.00
<i>P450-0030</i>	5.5 (21.0)	5100 (350)	1450	19.8 (14.8)	0.71 (18)	\$3,105.00
P56W-HK	6.1 (23.1)	1900 (130)	1420	8.0 (6.0)	0.79 (20)	\$2,055.00
P56HTK	6.1 (23.1)	1900 (130)	1420	8.0 (6.0)	0.79 (20)	\$2,275.00
P435-0030	6.6 (25)	3625 (250)	1450	16.5 (12.3)	0.71 (18)	\$3,105.00
SP100HTK	7.1 (26.9)	870 (60)	900	4.7 (3.5)	1.02 (26)	\$4,020.00
SP100HK	11.2 (42.5)	1885 (130)	1420	14.6 (10.9)	1.02 (26)	\$4,245.00
<i>MP4130HK</i>	15.4 (58.2)	1600 (110)	1100	17.6 (13.1)	1.18 (30)	\$6,205.00



CP420/CP425



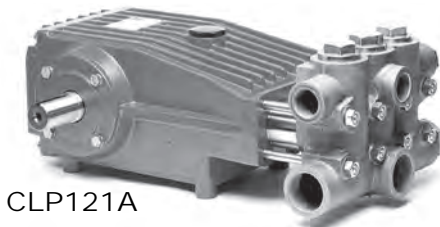
CP470



CP460-4053



CGP7555-1023



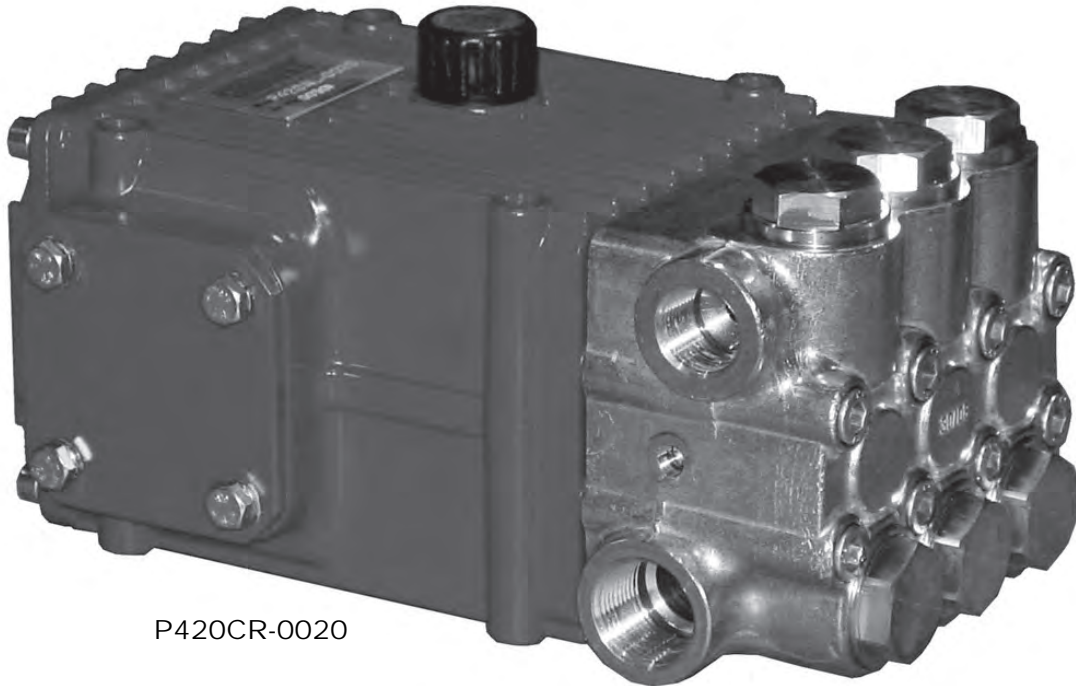
CLP121A



CGP7163

Model	Flow	Pressure	Speed	Power Required	Plunger Diameter	Price
	GPM (LPM)	PSI (Bar)	RPM			
<i>CP230-5123</i>	0.45 (1.7)	2000 (140)	750	0.7 (0.5)	0.71 (18)	\$3,520.00
<i>CP230</i>	0.5 (1.8)	2000 (140)	750	0.7 (0.5)	0.71 (18)	\$1,450.00
<i>CP217</i>	0.73 (2.7)	2000 (140)	750	1.0 (0.8)	0.71 (18)	\$1,450.00
<i>CP217-5123</i>	0.73 (2.7)	2000 (140)	750	1.0 (0.8)	0.71 (18)	\$3,520.00
<i>CP218</i>	1.4 (5.3)	2000 (140)	750	2.0 (1.5)	0.71 (18)	\$1,450.00
<i>CP218-5123</i>	1.4 (5.3)	2000 (140)	750	2.0 (1.5)	0.71 (18)	\$3,520.00
<i>CP220</i>	1.9 (7.3)	2000 (140)	750	2.7 (2.0)	0.71 (18)	\$1,450.00
<i>CP220-5123</i>	1.9 (7.3)	2000 (140)	750	2.7 (2.0)	0.71 (18)	\$3,520.00
<i>CP460-4053</i>	2.0 (7.5)	7250 (500)	750	10.0 (7.5)	0.55 (14)	\$7,835.00
<i>CP425</i>	5.5 (21.0)	2000 (140)	750	7.8 (5.8)	1.02 (25)	\$5,150.00
<i>CP425-5123</i>	5.5 (21.0)	2000 (140)	750	7.8 (5.8)	1.02 (25)	\$9,920.00
<i>CP420</i>	6.4 (24.3)	1740 (120)	750	7.7 (5.7)	1.02 (25)	\$5,150.00
<i>CP420-5123</i>	6.4 (24.3)	1740 (120)	750	7.7 (5.7)	1.02 (25)	\$9,920.00
<i>CP470</i>	9.2 (35.0)	1740 (120)	750	11.1 (8.3)	1.18 (30)	\$5,805.00
<i>CLP121A</i>	15.9 (60.0)	1740 (120)	500	19.1 (14.2)	1.42 (36)	\$17,875.00
<i>CGP7555-1023</i>	51.5 (195.0)	1500 (100)	550	55.2 (41.2)	2.17 (55)	\$47,870.00
<i>CGP7163</i>	61.8 (233.8)	1160 (80)	500	47.4 (35.3)	2.48 (63)	\$46,115.00

High pressure pumps that are used in the machining process will assist manufactures in the production of various metallic parts. Because machine tool coolant has special characteristics, special designs are often used to make sure that the pumps operate as needed. These pumps will help a machine cut metal faster and with more consistency.



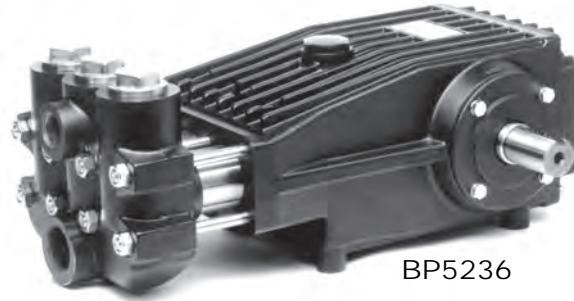
P420CR-0020

Model	Flow	Pressure	Speed	Power Required	Plunger Diameter	Price
	GPM (LPM)	PSI (Bar)	RPM			
<i>P423CR-0020</i>	8.2 (31.1)	2900 (200)	1450	16.4 (12.2)	0.87 (22)	\$3,060.00
<i>P420CR-0020</i>	12.8 (48.4)	2175 (150)	1450	19.2 (14.3)	0.98 (25)	\$3,060.00

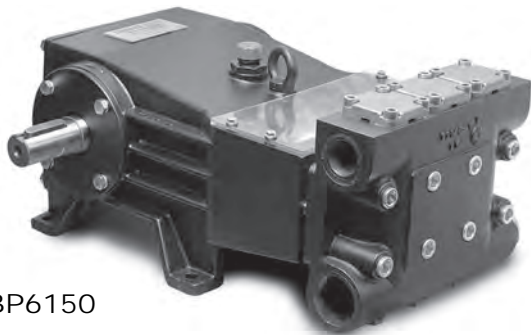
Bentonite Pumps



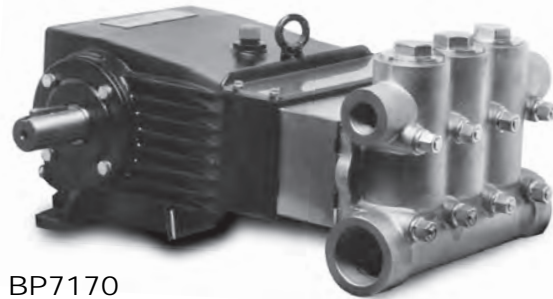
BP100



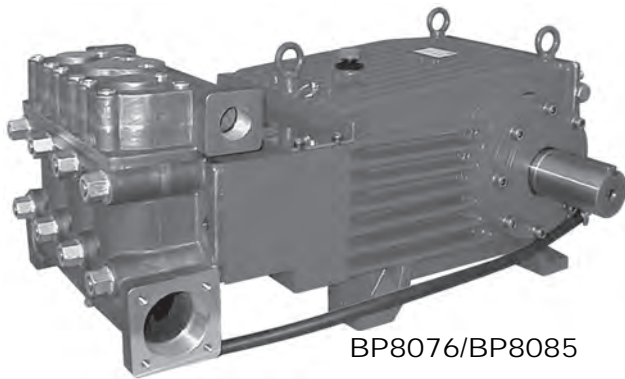
BP5236



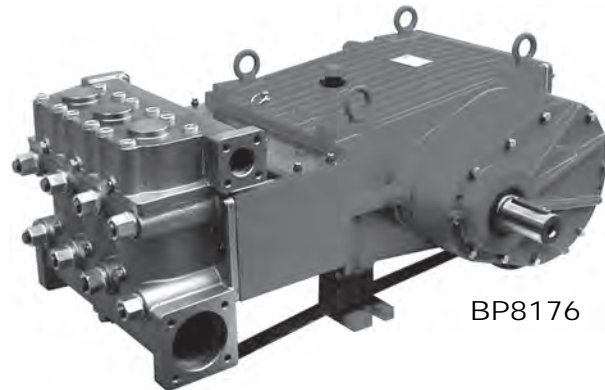
BP6150



BP7170



BP8076/BP8085

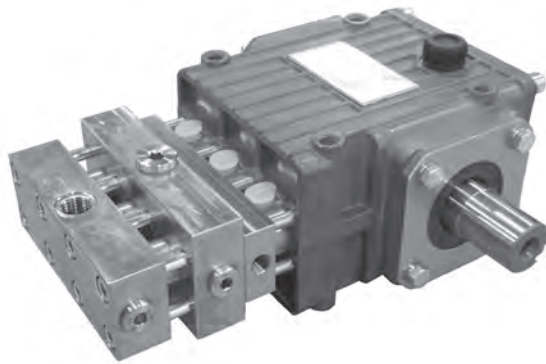


BP8176

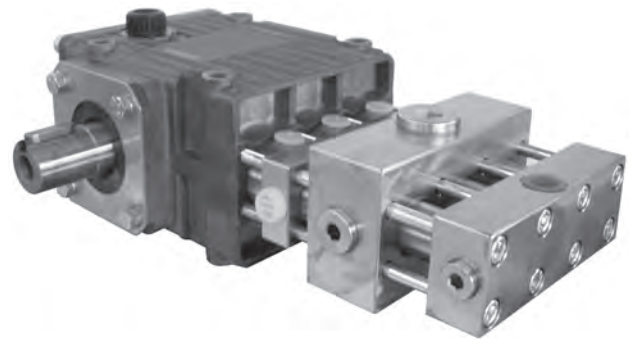
Model	Flow	Pressure	Speed	Power Required	Plunger Diameter	Price
	GPM (LPM)	PSI (Bar)	RPM	HP (kW)	in (mm)	
<i>BP100</i>	5.9 (22.5)	1885 (130)	750	8.0 (6.0)	1.02 (26)	\$3,640.00
<i>BP5236</i>	18.5 (70.0)	1450 (100)	570	18.5 (13.8)	1.42 (36)	\$10,325.00
<i>BP6150</i>	42.3 (160)	1500 (100)	600	43.8 (32.7)	1.97 (50)	\$20,105.00
<i>BP7170</i>	84.5 (320)	1015 (70)	560	59.2 (44.2)	2.76 (70)	\$30,445.00
<i>BP7171</i>	105.7 (400)	1015 (70)	700	74.0 (55.2)	2.76 (70)	\$36,325.00
<i>BP8076</i>	132 (500)	1500 (100)	520	129 (96)	2.99 (76)	\$50,715.00
<i>BP8176</i>	132 (500)	1500 (100)	520	129 (96)	2.99 (76)	\$55,270.00
<i>BP8085</i>	171.7 (650)	1160 (80)	530	134 (100)	3.3 (85)	\$53,100.00

Pentane Pumps

High pressure pumps that are used for pumping media such as isocyanate, Freon, pentane, polyol and catalysts used in the manufacturing of polyurethane products (including insulating materials, automobile components, plastic panels, etc.).



P201-4100 Series

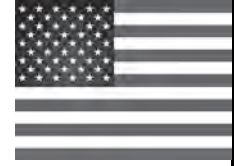


P202-4100 Series
P204-4100 Series

Model	Flow	Pressure	Speed	Power Required	Plunger Diameter	Price
	GPM (LPM)	PSI (Bar)	RPM	HP (kW)	in (mm)	
P201-4120	0.4 (1.5)	3200 (220)	1450	0.94 (0.7)	0.47 (12)	\$14,455.00
P201-4121	0.4 (1.5)	3200 (220)	1450	0.94 (0.7)	0.47 (12)	\$14,455.00
P201-4123	0.4 (1.5)	3200 (220)	1450	0.94 (0.7)	0.47 (12)	\$14,455.00
P201-4127	0.4 (1.5)	3200 (220)	1450	0.94 (0.7)	0.47 (12)	\$18,745.00
P202-4120	1.27 (4.8)	3200 (220)	1450	2.8 (2.1)	0.47 (12)	\$14,455.00
P202-4121	1.27 (4.8)	3200 (220)	1450	2.8 (2.1)	0.47 (12)	\$14,455.00
P204-4120	1.8 (6.8)	3200 (220)	1450	4.0 (3.0)	0.47 (12)	\$14,455.00
P204-4121	1.8 (6.8)	3200 (220)	1450	4.0 (3.0)	0.47 (12)	\$14,455.00

Optional Materials of O-Rings

- 4120 = Nitrile O-Rings
- 4121 = Viton O-Rings
- 4123 = EPDM O-Rings
- 4127 = Isolast O-Rings



Safe

4:1 Burst pressure - 20,000 PSI

Maintainable

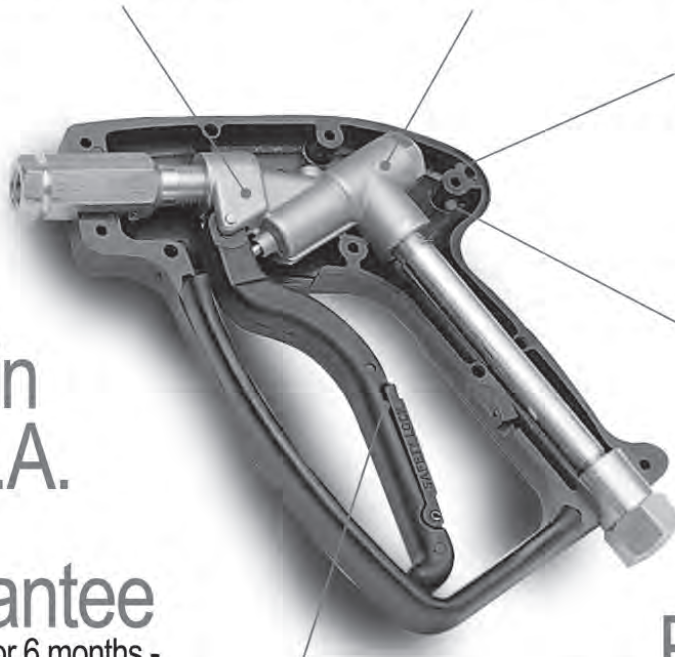
Easy to repair - 5 minutes

Value

Competitively Priced

Durability

Housing withstands the toughest abuse



Custom Made

Private labeling available



Made in the U.S.A.

Guarantee

Guaranteed for 6 months - 2 times the competition

Versatile

Weep (blue trigger) or non-weep (black trigger)

Reliable

Hundreds of thousands of cycles

Common Specifications

	U.S.	(Metric)
Flow	10 GPM.....	(38 LPM)
Pressure	5000 PSI.....	(350bar)
Pressure (21280B only).....	1500 PSI.....	(100bar)
Temp.....	300 °F.....	(150 °C)
Temp (21280B only)	250 °F.....	(121 °C)
Inlet Fitting.....		3/8" NPT
Discharge Fitting.....		1/4" NPT
Weight	1.8 lbs.....	(0.82 kg)

Shut-Off Guns

Model	Weep	Discharge Fitting	Inlet Size	Discharge Size	Special Features	Order Qty	List Price
21250B	N	Stainless Steel	3/8" FNPT	1/4" FNPT	Heavy Duty Housing	20	\$66.05
21250B-08-08SS	N	Stainless Steel			SS Inlet	20	\$97.30
21250-4000	N	Stainless Steel			SS Inlet Fitting/Tube	20	\$97.30
21250B-4000-CR	N	Stainless Steel	3/8" FNPT	1/4" FNPT	Ceramic Ball	20	\$104.05
21255B	Y	Stainless Steel	3/8" FNPT	1/4" FNPT	Heavy Duty Housing	20	\$66.05
21255B-001	Y	Stainless Steel			Viton O-Rings	20	\$75.55
21255-4000	Y	Stainless Steel			SS Inlet Fitting/Tube	20	\$97.30
21260A	N	None	3/8" FNPT	1/4" FNPT		20	\$46.30
21265A	Y	None	3/8" FNPT	1/4" FNPT		20	\$46.30
21280B	N	Stainless Steel	3/8" FNPT	1/4" FNPT	Plastic Ball	20	\$66.25
21290C	N	Plated Steel	3/8" FNPT	1/4" FNPT		20	\$52.30
21290C-001	N	Plated Steel	3/8" FNPT	1/4" FNPT	Viton O-Rings	20	\$61.85
21290CB	N	Brass	3/8" FNPT	1/4" FNPT	Brass Inlet	20	\$58.55
21290CC	N	Plated Steel	3/8" FNPT	1/4" FNPT	Blue Housing	20	\$55.10
21290C-CR	N	Plated Steel	3/8" FNPT	1/4" FNPT	Ceramic Ball	20	\$59.15
21295C	Y	Plated Steel	3/8" FNPT	1/4" FNPT		20	\$52.30
21295C-001	Y	Plated Steel			Viton O-Rings	20	\$61.85
21295CB	Y	Plated Steel	3/8" FNPT	1/4" FNPT		20	\$58.55
21295CC	Y	Plated Steel	3/8" FNPT	1/4" FNPT	Blue Housing	20	\$55.10
21295CX	Y	Plated Steel	3/8" FNPT	1/4" FNPT	XL Weep	20	\$52.30
21490	N	Brass	3/8" FNPT	1/4" FNPT	Heavy Duty Housing	20	\$54.35
21495	Y	Brass	3/8" FNPT	1/4" FNPT	Heavy Duty Housing	20	\$54.35
21495CB	Y	Brass	3/8" FNPT	1/4" FNPT	Heavy Duty Housing	20	\$60.55



21380



21381



21382

Linear Guns

Model	Flow	Pressure	Inlet Size	Discharge Size	Special Features	List Price
21380	10 GPM	4500 PSI	3/8" FNPT	1/4" FNPT		\$90.00
21380SS	10 GPM	4500 PSI	3/8" FNPT	1/4" FNPT	Stainless Steel Fittings	\$105.00
21380-08-08SS	10 GPM	4500 PSI	1/2" FNPT	1/2" FNPT	Stainless Steel Fittings	\$130.00
21380-12-12SS	10 GPM	4500 PSI	3/4" FNPT	3/4" FNPT	Stainless Steel Fittings	\$145.00
21382	27 GPM	2800 PSI	1/2" FNPT	1/2" FNPT		\$300.00
21381	32 GPM	4500 PSI	1/2" FNPT	1/2" FNPT		\$475.00



21650



21790



21795



21480



21650

Heavy Duty Shut-Off Guns

Model	Flow	Pressure	Inlet Size	Discharge Size	Special Features	List Price
21475	7.4 GPM	7250 PSI	3/8" FNPT	1/4" FNPT		\$415.00
21460	10.5 GPM	15,000 PSI	3/8" FNPT	3/8" FNPT		\$975.00
21480	15.8 GPM	8700 PSI	3/8" FBSP	1/4" FBSP		\$745.00
21480-E	15.9 GPM	8700 PSI	3/8" FBSP	1/4" FBSP	w/microswitch	\$745.00
21650	21 GPM	7250 PSI	1/2" FNPT	1/2" FNPT		\$515.00
21650-16	21 GPM	7250 PSI	1/2" FNPT	1/2" FNPT	w/16" lance and grip	\$720.00
21650-32	21 GPM	7250 PSI	1/2" FNPT	1/2" FNPT	w/32" lance and grip	\$810.00
21650-50	21 GPM	7250 PSI	1/2" FNPT	1/2" FNPT	w/50" lance and grip	\$1,045.00
21390-4000	10 GPM	5200 PSI	3/8" FNPT	1/2" FNPT		\$430.00
21790	31.7 GPM	1740 PSI	1/2" FBSP	1/2" FBSP		\$250.00
21790-16	31.7 GPM	1740 PSI	1/2" FBSP	1/2" FBSP	w/16" lance and grip	\$335.00
21790-32	31.7 GPM	1740 PSI	1/2" FBSP	1/2" FBSP	w/32" lance and grip	\$360.00
21795	52.8 GPM	2900 PSI	3/4" FBSP	1/2" FBSP		\$480.00



Long Range w/lance and nozzle

Model	Flow	Pressure	Inlet Size	List Price
21915A-XX	10 GPM	3650 PSI	3/8" BSP	\$340.00
21910-XX	21 GPM	1850 PSI	1/2" BSP	\$555.00
21920-XX	32 GPM	1740 PSI	1/2" BSP	\$565.00



Gun Assemblies

Model	Flow	Pressure	Inlet Size	List Price
21460-06G-04-25	10.5 GPM	15,000 PSI	1/4" FNPT	\$2,105.00



Dump Guns

Model	Flow	Pressure	Inlet Size	List Price
27510	15 GPM	15,000 PSI	1/2" MNPT	\$3,423.25
21470	10 GPM	40,000 PSI	9/16" HP	\$2,500.70

Straight, Stainless Steel Lances



Model Number	Size Inches	Pressure PSI (bar)	Thread Size Inches (MNPT)	Weight lbs.	Order Quantity	List Price U.S \$
21732	6	7250 (500)	1/4"	0.20	10	\$7.10
21732-08	6	7250 (500)	1/2"	0.4	10	\$7.10
21784	8	7250 (500)	1/4"	0.26	10	\$9.65
21733	12	7250 (500)	1/4"	0.41	10	\$12.20
21733-08	12	7250 (500)	1/2"	0.8	10	\$18.20
21734	15.5	7250 (500)	1/4"	0.53	10	\$15.20
21734-08	15.5	7250 (500)	1/2"	1.0	10	\$44.75
21782	17	7250 (500)	1/4"	0.55	10	\$16.55
21783	19	7250 (500)	1/4"	0.65	10	\$18.15
21735	24	7250 (500)	1/4"	0.82	10	\$22.50
21735-08	24	7250 (500)	1/2"	1.6	10	\$38.35
21736	36	7250 (500)	1/4"	1.23	10	\$32.75
21736-06	36	7250 (500)	3/8"	1.70	10	\$56.45
21736-08	36	7250 (500)	1/2"	2.4	10	\$101.50
21737	48	7250 (500)	1/4"	1.64	10	\$43.00
21737-06	48	7250 (500)	3/8"	2.27	10	\$74.60
21737-08	48	7250 (500)	1/2"	3.2	10	\$134.65
21738	60	7250 (500)	1/4"	2.05	10	\$53.25
21738-06	60	7250 (500)	3/8"	2.84	10	\$92.85
21738-08	60	7250 (500)	1/2"	4.0	10	\$167.85
21739	72	7250 (500)	1/4"	2.46	10	\$63.50
21739-06	72	7250 (500)	3/8"	3.41	10	\$111.00
21739-08	72	7250 (500)	1/2"	4.8	10	\$201.00
21741*	84	7250 (500)	1/4"	2.87	10	\$79.65
21741-08*	84	7250 (500)	1/2"	5.6	10	\$234.15
21754*	96	7250 (500)	1/4"	3.28	10	\$89.90
21781*	120	7250 (500)	1/4"	4.10	10	\$110.40
21781-08*	120	7250 (500)	1/2"	10.5	10	\$182.05

*These models are 2 piece lances

21719-06-15K	60"	15,000 (1000)	3/8"	12		\$1,184.80
--------------	-----	---------------	------	----	--	------------

All Giant Single Tube Lances can be cut to custom lengths. Please contact Giant Industries for custom pricing.

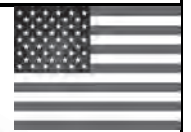
Straight, Stainless Steel with 12" Adj. Handle



Model Number	Size Inches	Pressure PSI (bar)	Thread Size Inches (MNPT)	Weight lbs.	Order Quantity	List Price U.S \$
21742	15.5"	7250 (500)	1/4"	0.83	10	\$20.20
21743	24"	7250 (500)	1/4"	1.12	10	\$27.50
21744	36"	7250 (500)	1/4"	1.53	10	\$37.75
21745	48"	7250 (500)	1/4"	1.94	10	\$47.95
21746	60"	7250 (500)	1/4"	2.35	10	\$58.25
21747	72"	7250 (500)	1/4"	2.76	10	\$68.50
21749*	84"	7250 (500)	3/8"	3.17	10	\$84.60
21759*	96"	7250 (500)	1/4"	4.08	10	\$94.85
21759-2G (2 grips)*	96"	7250 (500)	3/8"	4.11	10	\$99.90

*These lances come in 2 pieces

Lance Grips



Model	Size	Weight (lbs)	Order Quantity	List Price
21701A	12"	0.3	5	\$8.45
21704 side grip	1/4"	0.45	5	\$38.25
21705 side grip	1/2"	0.4	5	\$29.40



21704

21701A

Bent, Single Tube Lance, 30°



Model	Size	Weight (lbs)	Version	List Price
03327	12"	0.40	Standard	\$12.20
21762B	35.5"	1.25	Standard	\$46.50
21762B-1	35.5"	1.70	Side Grip	\$100.30
21762B-2	35.5"	1.30	Quick Disconnect	\$62.00
21762B-3	35.5"	1.75	Quick Disconnect and Side Grip	\$115.80
21736-B	36"	2.4	Standard	\$32.75

Bent, Double Tube Lance, 30°



Model	Size	Weight (lbs)	Notes	List Price
21780A-S	35.3"	2.8	Stainless Steel Seat	\$160.00

0° Rotating Nozzles



Standard Rotating Nozzles

27530 Series

List Price \$90.00+

	U.S.	(Metric)
Maximum Pressure.....	3000 PSI	(200 bar)
Maximum Flow	3.9 GPM	(33 LPM)
Max Temperature.....	195 °F	(95 °C)
Bearing		Plastic
Nozzle.....		Ceramic
Nozzle Sizes.....		025-045
Spray Angle		20°
Inlet.....		1/4" BSP
Weight	0.4 lbs.	(0.20 kg)
Kit Series		09790-XX

XX = nozzle/kit size (2.0, 3.0, 3.5, 4.0, 4.5)
 *Sold in lots of 100 pieces or more



27530

23800 Series

List Price \$100.00

23800C Series (with cover)

List Price \$100.00

	U.S.	(Metric)
Maximum Pressure.....	3700 PSI	(255 bar)
Maximum Flow	8.7 GPM	(33 LPM)
Max Temperature.....	195 °F	(95 °C)
Bearing		Ceramic
Nozzle.....		Ceramic
Nozzle Sizes.....		020-090
Spray Angle		20°
Inlet.....		1/4" BSP
Weight	0.7 lbs.	(318 g)
Kit Series		09511-XX

XX = nozzle/kit size (2.0, 2.5, 3.0, 3.5, 4.0, 4.5, 5.5, 6.0, 6.5, 7.0, 7.5, 8.0, 9.0, 10.0, 12.0)



23800

23810 Series

List Price \$80.00+

23810C Series (with cover)

List Price \$85.00*

	U.S.	(Metric)
Maximum Pressure.....	3700 PSI	(255 bar)
Maximum Flow	11 GPM	(42 LPM)
Max Temperature.....	195 °F	(90 °C)
Bearing		Ceramic
Nozzle.....		Ceramic
Nozzle Sizes.....		020-200
Spray Angle		20°
Inlet.....		1/4" BSP
Weight	0.7 lbs.	(318 g)
Kit Series		09730-XX

XX = nozzle/kit size (3.0 and 6.0)
 *Sold in lots of 50 pieces or more *Contact Giant for color options



23810

22040B Series

List Price \$110.00

22040B-XX-QDP Assemblies

List Price \$135.00

	U.S.	(Metric)
Maximum Pressure.....	3700 PSI	(255 bar)
Maximum Flow	12 GPM	(45 LPM)
Max Temperature.....	195 °F	(95 °C)
Bearing		Ceramic
Nozzle.....		Ceramic
Nozzle Sizes.....		020-200
Spray Angle		20°
Inlet.....		1/4" BSP
Weight	0.7 lbs.	(0.32 kg)
Kit Series		09440A-XX

XX = nozzle/kit size (2.0, 2.5, 3.0, 3.5, 4.0, 4.5, 5.0, 5.5, 6.0, 6.5, 7.0, 8.0, 9.0, 10.0, 11.0, 12.0, 15.0, 18.0, 20.0)



22040B

0° Rotating Nozzles



Standard Rotating Nozzles

24036 Series

List Price \$195.00

	U.S.	(Metric)
Maximum Pressure.....	3200 PSI	(220 bar)
Maximum Flow	6.1 GPM	(25 LPM)
Max Temperature.....	212 °F	(100 °C)
Bearing		Ceramic
Nozzle.....		Ceramic
Nozzle Sizes.....		020-055
Spray Angle		30°
Inlet.....		1/4" BSP
Weight	1.1 lbs.	(0.49 kg)
Kit: (see below).....		09795-XX

*XX = nozzle/kit size (2.0, 3.0, 3.5, 4.0, 4.5, 5.0, 5.5, 6.0, 6.5, 7.0, 7.5)



24036

22800 Series

List Price \$300.00

	U.S.	(Metric)
Maximum Pressure.....	3700 PSI	(255 bar)
Maximum Flow	5.3 GPM	(20 LPM)
Max Temp	195 °F	(90 °C)
Bearing		Ceramic
Nozzle.....		Ceramic
Nozzle Sizes.....		020-055
Spray Angle		40°
Inlet.....		1/4" BSP
Kit Series		09800-XX

*XX = nozzle/kit size (2.0, 2.5, 3.0, 3.5, 4.0, 4.5, 5.5, 6.0, 6.5, 7.0, 7.5)



22800

23900 Series

List Price \$145.00

	U.S.	(Metric)
Maximum Pressure.....	4500 PSI	(310 bar)
Maximum Flow	6.3 GPM	(24 LPM)
Max Temperature.....	195 °F	(90 °C)
Bearing		Ceramic
Nozzle.....		Ceramic
Nozzle Sizes.....		020-100
Spray Angle		20°
Inlet.....		1/4" BSP
Weight	1.0 lbs.	(450 g)
Kit Series		09615-XXX*

XXX = nozzle/kit size (3.0, 3.5, 4.0, 4.5, 5.0, 5.5, 6.0, 6.5, 7.0)



23900

22060A Series

List Price \$175.00 (Sizes 2.0-12.0)

\$210.00 (Sizes 15,18,20)

22060A-XX-08 Series

List Price \$220.00/\$260.00 (15-20)

22060A-XX-F-QDP Assemblies

List Price \$230.00

22060A-XX-F-QDP (15, 18, 20)

List Price \$315.00

	U.S.	(Metric)
Maximum Pressure.....	6000 PSI	(400 bar)
Maximum Flow	18.7 GPM	(83 LPM)
Max Temperature.....	195 °F	(90 °C)
Bearing		Ceramic
Nozzle.....		Ceramic
Nozzle Sizes.....		020-200
Spray Angle		20°
Inlet (22060A).....		1/4" BSP
Weight	1.3 lbs.	(590 g)
Kit (see below).....		09240A-XX*

*XX = nozzle/kit size (2.0, 2.5, 3.0, 3.5, 4.0, 4.5, 5.0, 5.5, 6.0, 6.5, 7.0, 7.5, 8.0, 9.0, 10.0, 11.0, 12.0, 15.0, 18.0, 20.0)



22060A



22060A-XX-F-QDP

0° Rotating Nozzles



Standard Rotating Nozzles

22400 Series

List Price \$1,170.00

	U.S.	(Metric)
Maximum Pressure.....	7250 PSI	(500 bar)
Maximum Flow	16.2 GPM	(61 LPM)
Max Temp	195 °F	(90 °C)
Bearing		Hard Metal
Nozzle.....		Hard Metal
Nozzle Sizes.....		020-120
Spray Angle		20°
Inlet.....		1/4" BSP
Weight	2.0 lbs.	(950 g)
Kit (see below).....		09485-XX

XX = nozzle size (2.0, 2.5, 3.0, 3.5, 4.0, 4.5, 5.0, 5.5, 6.0, 6.5, 7.0, 7.5, 8.0, 9.0, 10.0, 11.0, 12.0)



22400

23750 Series

List Price \$2,520.00 (sizes 2.0 and 3.5)

List Price \$2,685.00 (sizes 3.0 and 4.0-7.0)

	U.S.	(Metric)
Maximum Pressure.....	10,150 PSI	(700 bar)
Maximum Flow	16.2 GPM	(61 LPM)
Max Temperature.....	195 °F	(90 °C)
Bearing		Hard Metal
Nozzle.....		Hard Metal
Nozzle Sizes.....		020-120
Spray Angle		20°
Inlet.....		1/4" BSP
Weight	2.0 lbs.	(950 g)
Kit (see below).....		09555-XXX

*XX = nozzle size (2.0, 2.5, 3.0, 3.5, 4.0, 4.5, 5.0, 5.5, 6.0, 6.5, 7.0)



23750

23850 Series

List Price \$4,150.00 (sizes 2.0-2.5)

List Price \$4075.00 (size 5.5)

List Price \$4,195.00 (sizes 3.0-6.5 except 5.5)

List Price \$4,555.00 (sizes 1.5, 1.8 and 7.0-12.0)

	U.S.	(Metric)
Maximum Pressure.....	15,000 PSI	(1000bar)
Maximum Flow	22.8 GPM	(86 LPM)
Max Temperature.....	195 °F	(90 °C)
Bearing		Hard Metal
Nozzle.....		Hard Metal
Nozzle Sizes.....		020-120
Spray Angle		20°
Inlet.....		1/4" BSP
Weight	3.75 lbs.	(1.70 kg)
Kit (see below).....		09545-XXX

*XXX = nozzle/kit size (1.5, 1.8, 2.0, 2.5, 3.0, 3.5, 4.0, 4.5, 5.0, 5.5, 6.0, 6.5, 7.0, 7.5, 8.0, 9.0, 10.0, 11.0, 12.0)



23850

0° Rotating Nozzles



Oscillating Nozzles

22000 Series

List Price \$175.00

	U.S.	(Metric)
Maximum Pressure.....	3700 PSI	(255 bar)
Maximum Flow	5.3 GPM	(20 LPM)
Max Temperature.....	195 °F	(95 °C)
Bearing		Ceramic
Nozzle.....		Ceramic
Nozzle Sizes.....		020-055
Spray Angle		26°
Inlet.....		1/4" BSP
Kit Series09805-XX

XX = nozzle/kit size (2.5, 3.0, 3.5, 4.5, 5.0, 5.5, 6.5)



22000

22700 Series

List Price \$150.00

	U.S.	(Metric)
Maximum Pressure.....	3700 PSI	(255 bar)
Maximum Flow	5.3 GPM	(20 LPM)
Max Temperature.....	195 °F	(95 °C)
Bearing		Ceramic
Nozzle.....		Ceramic
Nozzle Sizes.....		020-055
Spray Angle		24°
Inlet.....		1/4" BSP
Weight	1.4 lbs.	(0.64 kg)
Kit09470-XX

XX = nozzle/kit size (2.0, 3.0, 3.5, 4.0, 4.5, 5.0, 5.5, 6.0)



22700
Brown cover

Hydroexcavating Nozzles

23000 Series Slow Rotating

List Price \$175.00*
\$210.00** \$260.00***

	U.S.	(Metric)
Maximum Pressure.....	3600 PSI	(248 bar)
Maximum Flow	22 GPM	(83 LPM)
Max Temperature.....	195 °F	(90 °C)
Bearing		Ceramic
Nozzle.....		Ceramic
Nozzle Sizes.....		020-060
Spray Angle		20°
Inlet.....		1/4" BSP
Weight	1.4 lbs.	(0.64 g)
Kit Series09620-XX

XX = nozzle/kit size (2.0, 2.5, 3.0, 3.5, 4.0, 4.5, 5.0, 5.5, 6.0)

*Sizes 2.0-6.0 (except 2.5 which is \$245.00)

**Size 10.0

***Size 30.0



23000

Sewer Cleaning Nozzles



23820-02-25 (-40 or -60)	List Price \$341.25
23820-02-30 (-40 or -60)	List Price \$358.60
23820-02-35 (-40 or -60)	List Price \$274.90

	U.S.	(Metric)
Maximum Pressure.....	2175 PSI	(150 bar)
Maximum Flow (-40).....	2.9 GPM	(11.0 LPM)
Maximum Flow (-60).....	4.3 GPM	(16.4 LPM)
Max Temperature.....	104 °F	(40 °C)
Bearing	Ceramic	
Nozzle.....	Ceramic	
Spray Angle (Forward).....	20°	
Spray Angle (Backward).....	20°	
Inlet.....	1/8" FBSP	

XX = nozzle/kit size (2.5, 3.0, 3.5, 3.8, 4.0, 6.9, 5.5, 9.5)



23820

23820-08 Series	List Price \$682.45
23820-16 Series	List Price \$840.00

	U.S.	(Metric)
Maximum Pressure.....	4350 PSI	(300 bar)
Maximum Flow (23820-08-69).....	18.2 GPM	(69 LPM)
Maximum Flow (23820-08-95).....	25.1 GPM	(95 LPM)
Maximum Flow (23820-08-69).....	18.2 GPM	(69 LPM)
Max Temperature.....	195 °F	(90 °C)
Bearing	Ceramic	
Nozzle.....	Ceramic	
Spray Angle (Forward).....	24°	
Spray Angle (Backward).....	40°	
Inlet (-08).....	1/2" BSP	
Inlet (-16).....	1" BSP	
Weight (-08).....	0.7 lbs.	(300 g)
Weight (-16).....	1.8 lbs.	(800 g)
Kit Series (-08).....	09780-XX	
Kit Series (-16).....	09827-XX	

XX = nozzle/kit size (2.5, 3.0, 3.5, 3.8, 4.0, 6.9, 5.5, 9.5)



23820-08



23820-16

Turbo Nozzle Filters

Model Number	Description	Weight lbs. (kg)	List Price U. S. (\$)	Order Quantity
22175	1/4" NPT x 1/4" FNPT (50 mesh)	0.16 (0.07)	\$21.00	10
22175-BSP	1/4" NPT x 1/4" FBSP (50 mesh)	0.16 (0.07)	\$21.00	10
22175-08	1/4" NPT x 1/2" FNPT (50 mesh)	0.29 (0.13)	\$36.55	10
22175-4000	1/4" NPT x 1/4" FNPT (50 mesh, SS)	0.40 (0.18)	\$28.50	10

Rated up to 5000 PSI



22175

Turbo Nozzle Holders

Model Number	Description	Weight lbs. (kg)	List Price U. S. (\$)	Order Quantity
05875	1/4" MNPT	0.35 (0.16)	\$24.30	10
05875-04	2X1/4" MNPT	0.35 (0.16)	\$24.30	10
05875-04-4000	2x1/4" MNPT, Stainless Steel	0.34 (0.15)	\$41.35	10

Rated up to 5000 PSI / up to 30° angle



05875

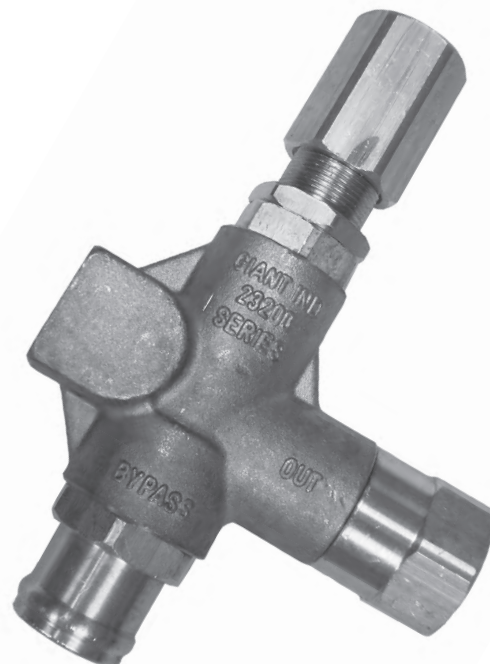
Pressure Actuated Unloaders



Model Number	Flow GPM (LPM)	Pressure PSI (bar)	Temp °F (°C)	Discharge FNPT in.	Inlet FNPT in.	Bypass in.	Weight lbs.	Order Qty	List Price U.S \$
23275	6.6 (24)	2000 (140)	194 (90)	3/8	1/2	Internal	2.0	2	\$130.40
23285	6.6 (24)	2000 (140)	194 (90)	3/8	1/2	Internal	2.0	2	\$130.40
23295	6.6 (24)	2000 (140)	194 (90)	3/8	3/8	3/8 FNPT	1.8	10	\$130.40
23270	6.6 (24)	4000 (276)	194 (90)	3/8	1/2	Internal	2.0	2	\$130.40
23270-01	6.6 (24)	4000 (276)	194 (90)	3/8	1/2	Internal	2.0	2	\$136.55
23280	6.6 (24)	4000 (276)	194 (90)	3/8	1/2	Internal	2.0	2	\$130.40
23280-01	6.6 (24)	4000 (276)	194 (90)	3/8	1/2	Internal	2.0	2	\$136.55
23290	6.6 (24)	4000 (276)	194 (90)	3/8	3/8	3/8 FNPT	1.8	10	\$130.40
23290-01	6.6 (24)	4000 (276)	194 (90)	3/8	3/8	3/8 FNPT	1.8	10	\$136.55
23270/23280 with fixed injector								2	\$135.15
23270/23280 with adjustable injector								2	\$137.35
23270H/23280H comes with Handwheel								2	\$141.30
23290H comes with Handwheel								10	\$136.55



23270/23280
23275/23285
(Banjo Mount)



23290/23295

Pressure Actuated Unloaders



Model Number	Flow GPM (LPM)	Pressure PSI (bar)	Temp °F (°C)	Discharge FNPT in.	Inlet FNPT in.	Bypass in.	Weight lbs.	List Price U.S \$
22765A	5 (19)	4000 (275)	160 (70)	3/8	3/8	1/4 BSP	2.1	\$225.00
22765APM	5 (19)	4000 (275)	160 (70)	3/8	3/8	1/4 BSP	2.1	\$315.00
22760A	8 (30)	145-3050 (10-210)	160 (70)	3/8	3/8	1/4 BSP	2.1	\$160.00
22760L	8 (30)	600 (40)	160 (70)	3/8	3/8	1/4 BSP	2.1	\$160.00
22760APM	8 (30)	3000 (200)	160 (70)	3/8	3/8	1/4 BSP	2.1	\$185.00
22760A-SS	8 (30)	3000 (200)	160 (70)	3/8	3/8	1/4 BSP	2.1	\$180.00
22760-01	8 (30)	145-3050 (10-210)	195 (91)	3/8	3/8	1/4 BSP	2.1	\$200.00
22760-03	8 (30)	600 (40)	160 (70)	3/8	3/8	1/4 BSP	2.1	\$200.00
22240	10 (40)	150-2000 (10-140)	160 (70)	3/8	1/2 FNPT	Internal	1.4	\$116.06
25150	10.5 (40)	4100 (280)	195 (90)	3/8*	3/8*	3/8	1.5	\$100.00
22085	10.5 (40)	5100/5655 (350/390)	140 (60)	3/8	3/8 MNPT	1/2 BSP	10.8	\$285.00
22910A ^{1,2}	13.2 (50)	800 (55)	160 (70)	1/2	1/2	1/2 BSP	2.8	\$265.00
22911A ^{1,2}	13.2 (50)	1450 (100)	160 (70)	1/2	1/2	1/2 BSP	2.8	\$265.00
22912A ^{1,2,6}	13.2 (50)	2000 (140)	160 (70)	1/2	1/2	1/2 BSP	2.8	\$265.00
22913A ^{1,2}	13.2 (50)	3000 (200)	160 (70)	1/2	1/2	1/2 BSP	2.8	\$265.00
22230	15.9 (60)	11600 (800)	195 (90)	1/2	1/2	1/2 BSP	5.5	\$1,465.00
22950(H)	16 (61)	5800 (400)	160 (71)	1 FNPT	1 FNPT	1	17.5	\$2,385.00
22083 ³	21 (80)	2200 (150)	195 (90)	1/2	1/2	1/2	6.7	\$240.00
22082 ³	21 (80)	4100 (280)	195 (90)	1/2	1/2	1/2	6.7	\$240.00
22082-SS ³	21 (80)	4100 (280)	195 (90)	1/2	1/2	1/2	6.7 (3.0)	\$250.00
22083-SS ³	21 (80)	2200 (150)	195 (90)	1/2	1/2	1/2	6.7 (3.0)	\$280.00
22210	21.1 (80)	5800 (400)	158 (70)	1/2	1/2	1/2	2.2	\$855.00
22215	21.1 (80)	7250 (500)	158 (70)	1/2	1/2	1/2	2.2	\$975.00
22980	26.4 (100)	7250 (500)	160 (71)	1/2 BSP	3/4 BSP	1/2 BSP	15.4	\$1,935.00
22973C ^{5,7}	26.4 (100)	4060 (280)	160 (71)	3/4	3/4	3/4 BSP	6.7	\$650.00
22973CH	26.4 (100)	4060 (280)	160 (71)	3/4	3/4	3/4 BSP	6.7	\$750.00
22949(H)	32 (121)	3200 (221)	160 (71)	1 FNPT	1 FNPT	1	17.5	\$2,385.00
22974C	35.7 (135)	580 (40)	160 (71)	3/4	3/4	3/4 BSP	6.7	\$650.00
22971C ⁵	35.7 (135)	1740 (120)	160 (71)	3/4	3/4	3/4 BSP	6.7	\$650.00
22971CH	35.7 (135)	1740 (120)	160 (71)	3/4	3/4	3/4 BSP	6.7	\$750.00
22091	53 (200)	1015 (70)	195 (90)	1	1	1	4.4	\$630.00
22090	53 (200)	2200 (152)	195 (90)	1	1	1	4.4	\$690.00
22947(H)	60 (227)	1160 (80)	160 (71)	1 FNPT	1 FNPT	1	17.5	\$2,385.00
22948(H)	60 (227)	1600 (110)	160 (71)	1 FNPT	1 FNPT	1	17.5	\$2,385.00
22981	79.3 (300)	2200 (150)	190 (88)	1	1	3/4	15.4	\$1,935.00
22981-LF ⁴	79.3 (300)	2200 (150)	160 (71)	1 BSP	1 BSP	3/4 BSP	15.4	\$2,480.00
22982A	79.3 (300)	3000 (200)	190 (88)	1	1	3/4	15.4	\$1,935.00
22984	79.3 (300)	3000 (200)	160 (70)	1 FBSP	1 FBSP	3/4 FBSP	15.4	\$1,935.00
22109	120 (450)	4350 (300)	140 (60)	1-1/4 FNPT	1-1/4 FNPT	1-1/2 FNPT	13.3	\$2,460.00

¹ (H) with handwheel \$285.00

² (-01) with Viton seals \$290.00

³ 22083/22082 can be purchased with a Handwheel - Add an H to the part number and \$15.00 to the list price.

⁴ LF - Low Friction (better for lower pressure settings)

⁵ with Viton \$750.00

⁶ (-BSP) with BSP Threads \$265.00

⁷ (-BSP) with BSP Threads \$650.00

Pressure Actuated Unloaders



22760 (APM)
22765 (APM)



25150/25151



22085



22910A = Silver Springs
22911A = Yellow Springs
22912A = Red Springs
22913A = Orange Springs



22230



22082/22083



22210



22971C
22973C
22974C



22985



22090/22091



22947 = Silver Springs
22948 = Yellow Springs
22949 = Red Springs
22950 = Orange Springs



22980/22981/22982A



22109

Pressure Actuated Unloaders

Stainless Steel Versions

Model Number	Flow GPM (LPM)	Pressure PSI (bar) Rated/Permissible	Temp °F (°C)	Discharge FNPT in.	Inlet FNPT in.	Bypass in.	Weight lbs.	List Price U.S \$
22097-4000 ^A	21 (80)	2175/2465(150/170)	195 (90)	1/2	1/2	1/2	2.9 (1.3)	\$940.00
22097-5000 ^B	21 (80)	2200/2450(150/170)	195 (90)	1/2	1/2	1/2	2.6 (1.2)	\$1,785.00
22095-4000 ^A	21 (80)	5800/6500(400/450)	195 (90)	1/2	1/2	1/2	2.9 (1.3)	\$940.00
22095-5000 ^B	21 (80)	4050/4520(283/310)	195 (90)	1/2 BSP	1/2 BSP	1/2 BSP	2.6 (1.2)	\$1,785.00
22106-51	21 (80)	4060/4500(280/310)	195 (90)	1/2 BSP	1/2 BSP	1/2 BSP	6.7 (3.0)	\$1,445.00
22980-40 *	26 (98)	7250 (500)	190 (88)	1/2 NPT	3/4 NPT	1/2 NPT	15.4 (7.0)	\$6,450.00
22973C-40 *	26.4 (100)	4060 (280)	160 (71)	3/4 BSP	3/4 BSP	3/4 BSP	6.7 (3.0)	\$2,865.00
22973C-50 *	26.4 (100)	4060 (280)	160 (71)	3/4 BSP	3/4 BSP	3/4 BSP	6.7 (3.0)	\$6,540.00
22971C-40 *	35.7 (135)	1740 (120)	160 (71)	3/4 BSP	3/4 BSP	3/4 BSP	6.7 (3.0)	\$2,865.00
22971C-50 *	35.7 (135)	1740 (120)	160 (71)	3/4 BSP	3/4 BSP	3/4 BSP	6.7 (3.0)	\$6,540.00
22981-40*	79.3 (300)	2200 (152)	190 (88)	1	1	3/4	15.4 (7.0)	\$6,305.00

A = 303 Stainless Steel B = 316 Stainless Steel

- * -SS = Stainless Steel
- 01 = Unloader with Viton Seals
- 40 = Unloader with 303 S.S.
- 41 = Unloader with 303 S.S. and Viton O-Rings/Seals
- 50 = Unloader with 316 S.S.
- 51 = Unloader with 316 S.S. and Viton O-Rings/Seals
- 53 = Unloader with 316 S.S. and EPDM O-Rings/Teflon Backup Ring



22106-51



22971C-40
22971C-50
22973C-40
22973C-50



22095-4000
22095-5000
22097-4000
22097-5000



22981-40

Pressure Actuated Unloaders



Pneumatic Versions

Model Number	Flow GPM (LPM)	Pressure PSI (bar)	Temp °F (°C)	Discharge FNPT in.	Inlet FNPT in.	Bypass in.	Weight lbs.	List Price U.S \$
<i>22980P</i>	26.4 (100)	7250 (500)	158 (70)	1/2	3/4	1/2	22.0 (10)	\$3,740.00
<i>22973CP</i>	35.7 (135)	4060 (280)	160 (71)	3/4	3/4	3/4 BSP	8.0 (3.6)	\$2,705.00
<i>22971CP</i>	35.7 (135)	1740 (120)	160 (71)	3/4	3/4	3/4 BSP	8.0 (3.6)	\$2,705.00
22090P	53 (200)	2200 (150)	195 (90)	1	1	1	8.8 (4.0)	\$1,465.00
<i>22981P</i>	79.3 (300)	2200 (150)	158 (70)	1	1	3/4	22.0 (10)	\$3,740.00
<i>22981LFP*</i>	79.3 (300)	2200 (150)	158 (70)	1 BSP	1 BSP	3/4 BSP	15.4 (7.0)	\$3,740.00
<i>22982P</i>	79.3 (300)	2600 (180)	158 (70)	1	1	3/4	15.4 (7.0)	\$3,740.00
<i>22984P</i>	79.3 (300)	3000 (200)	160 (71)	1	1	3/4	15.4 (7.0)	\$3,740.00
<i>22860P</i>	106 (400)	2320 (160)	104 (40)	1-1/4	1-1/4	1-1/4	17.6 (8)	\$3,640.00

* "LF" - Low Friction (better for lower pressure settings)



22980P/22981P/22982P



22973CP



22090P



22860P

Pressure Actuated Regulators



Model Number	Flow GPM (LPM)	Pressure PSI (bar)	Temp °F (°C)	Inlet FNPT in.	Bypass in.	Weight lbs.	List Price U.S \$
22765AR	5 (19)	4000 (275)	160 (71)	3/8	1/4 BSP	2.1 (0.95)	\$225.00
22107-51	5.3 (20)	1813 (125)	194 (90)	1/4+	1/4+	7.6 (3.4)	\$285.00
22760AR	8 (30)	3045 (210)	160 (71)	3/8	1/4	2.1 (1.0)	\$160.00
22760LR	8 (30)	580 (40)	160 (71)	3/8	1/4	2.1 (1.0)	\$160.00
21906	10 (40)	150 (10)	160 (71)	3/8	3/8 FNPT	0.8 (0.4)	\$59.75
21906F	10 (40)	150 (10)	160 (71)	3/8	3/8 FNPT	0.8 (0.4)	\$62.50
21908	10 (40)	150 (10)	160 (71)	3/8	3/8 FNPT	0.8 (0.4)	\$59.75
21905	10 (40)	2000 (140)	160 (71)	3/8	3/8 FNPT	0.8 (0.4)	\$59.75
21905F	10 (40)	2000 (140)	160 (71)	3/8	3/8 FNPT	0.8 (0.4)	\$62.50
21907F	10 (40)	2000 (140)	160 (71)	1/4	1/4 FNPT	0.8 (0.4)	\$62.50
25165	10.5 (40)	1500 (100)	194 (90)	3/8**	1/4**	1.3 (0.6)	\$100.00
25160	10.5 (40)	4100 (283)	194 (90)	3/8**	1/4**	1.3 (0.6)	\$100.00
22235	10.6 (40)	4500 (310)	195 (90)	3/8	3/8	0.8 (0.4)	\$100.00
22910AR ¹	13 (49)	800 (55)	160 (71)	1/2	1/2	2.8 (1.3)	\$265.00
22911AR ¹	13 (49)	1400 (97)	160 (71)	1/2	1/2	2.8 (1.3)	\$265.00
22912AR ¹	13 (49)	2400 (165)	160 (71)	1/2	1/2	2.8 (1.3)	\$265.00
22913AR ^{1,2}	13 (49)	3000 (207)	160 (71)	1/2	1/2	2.8 (1.3)	\$265.00
22950R	16.0 (61)	5800 (400)	160 (71)	1	1/2 FNPT	17.5 (8.0)	\$2,385.00
22083R	21.1 (80)	2320 (160)	140 (60)	1/2	1/2 FNPT	6.7 (3.0)	\$240.00
22082R	21.1 (80)	4060 (280)	140 (60)	1/2	1/2 FNPT	6.7 (3.0)	\$240.00
22980R	26 (98)	8700 (600)	160 (71)	3/4+	1/2	15.4 (7.0)	\$1,935.00
22973CR ³	26.4 (100)	4060 (280)	160 (71)	3/4	3/4	6.7 (3.0)	\$650.00
22949R ³	32 (120)	3200 (220)	160 (71)	1	1	17.5 (8.0)	\$2,385.00
22974R	35.7 (135)	580 (40)	160 (71)	3/4	3/4	6.7 (3.0)	\$650.00
22971CR	35.7 (135)	1740 (120)	160 (71)	3/4	3/4	6.7 (3.0)	\$650.00
22090R	53 (200)	2200 (152)	195 (90)	1	1 FNPT	4.6 (2.1)	\$690.00
22105	53 (200)	2600 (180)	194 (90)	3/4	1/2 FNPT	1.8 (0.8)	\$310.00
22948R ³	60 (227)	1600 (110)	160 (71)	1	1	17.5 (8.0)	\$2,385.00
22191-A	66 (250)	1000 (70)	140 (60)	1**	1**	4.1 (1.9)	\$2,400.00
22191-B	66 (250)	1740 (120)	140 (60)	1**	1**	4.1 (1.9)	\$2,400.00
22191-C	66 (250)	3000 (200)	140 (60)	1**	1**	4.1 (1.9)	\$2,400.00
22191-D	66 (250)	4060 (280)	140 (60)	1**	1 MBSP	4.1 (1.9)	\$2,400.00
22981R ⁴	79.3 (300)	2200 (152)	190 (88)	1+	3/4	15.4 (7.0)	\$1,935.00
22982R	79.3 (300)	3000 (200)	190 (88)	1+	3/4	15.4 (7.0)	\$1,935.00
22984R	79.3 (300)	3000 (200)	160 (71)	1**	1**	15.4 (7.0)	\$1,935.00
22109R	120 (450)	4800 (330)	194 (90)	1-1/4**	1-1/2	13.3 (6.0)	\$2,460.00

** FBSP (not FNPT)

+ BSPP (not FNPT)

¹ (H) with handwheel \$285.00

² (-01) with Viton seals \$290.00

³ (H) with handwheel \$2,385.00

⁴ (H) with handwheel \$750.00

⁵ (-LF) Low Friction (better for lower pressures) \$2,480.00

Pressure Actuated Regulators



22760AR/
22760LR



Lot
Size
10

21905/
21906/
21908



Lot
Size
10

21905F/
21908F



25165



22235



22910AR = Silver Springs
22911AR = Yellow Springs
22912AR = Red Springs
22913AR = Orange Springs



22950R



22980R-30



22973CR



22105



22191

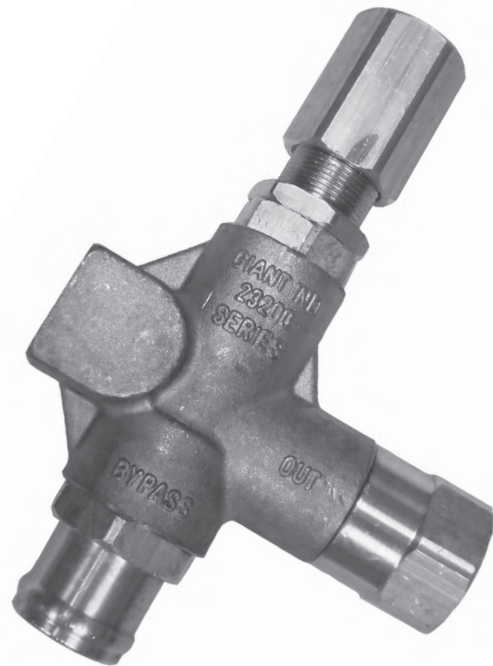
Pressure Actuated Regulators



Model Number	Flow GPM (LPM)	Pressure PSI (bar)	Temp °F (°C)	Discharge FNPT in.	Inlet FNPT in.	Bypass in.	Weight lbs.	Order Qty	List Price U.S \$
23275R	6.6 (24)	2000 (140)	194 (90)	3/8	1/2	Internal	2.0	2	\$130.40
23295R	6.6 (24)	2000 (140)	194 (90)	3/8	3/8	3/8 FNPT	1.8	10	\$130.40
23270R	6.6 (24)	4000 (276)	194 (90)	3/8	1/2	Internal	2.0	2	\$130.40
23280R	6.6 (24)	4000 (276)	194 (90)	3/8	1/2	Internal	2.0	2	\$130.40
23290R	6.6 (24)	4000 (276)	194 (90)	3/8	3/8	3/8 FNPT	1.8	10	\$130.40



23270/23280
23275/23285
(Banjo Mount)



23290/23295

Pressure Actuated Regulators

Stainless Steel Versions

Model Number	Flow GPM (LPM)	Pressure PSI (bar)	Temp °F (°C)	Inlet FNPT in.	Bypass in.	Weight lbs.	List Price U.S \$
22107-51	5.3 (20)	1813 (125)	194 (90)	1/4 ⁺	1/4	7.6 (3.4)	\$285.00
22098-4000	21 (79)	2200 (152)	194 (90)	1/2	1/2 FNPT	2.8 (1.3)	\$940.00
22096-4000	21 (79)	5800 (400)	194 (90)	1/2	1/2 FNPT	2.8 (1.3)	\$940.00
22098-5000	21 (79)	2200 (152)	194 (90)	1/2	1/2 FNPT	2.8 (1.3)	\$1,785.00
22096-5000	21 (79)	4000 (275)	194 (90)	1/2	1/2 FNPT	2.8 (1.3)	\$1,785.00
22980R-40	26 (98)	10,000 (690)	190 (88)	3/4 ⁺	1/2	15.4 (7.0)	\$6,450.00
22973CR-40	26.4 (100)	4060 (280)	160 (70)	3/4 ⁺	3/4" BSP	11.0 (5.0)	\$2,865.00
22973CR-50	26.4 (100)	4060 (280)	160 (70)	3/4 ⁺	3/4" BSP	11.0 (5.0)	\$6,540.00
22971CR-40	35.7 (135)	1740 (120)	160 (70)	3/4 ⁺	3/4" BSP	11.0 (5.0)	\$2,865.00
22971CR-50	35.7 (135)	1740 (120)	160 (70)	3/4 ⁺	3/4" BSP	11.0 (5.0)	\$6,540.00
22981R-40	79.3 (300)	2200 (152)	190 (88)	1	3/4	15.4 (7.0)	\$6,305.00

*BSPP (not FNPT)

A = 303 Stainless Steel B = 316 Stainless Steel

- *-H = Handwheel
- SS = Stainless Steel
- 01 = Unloader with Viton Seals
- 40 = Unloader with 303 S.S.
- 41 = Unloader with 303 S.S. and Viton O-Rings/Seals
- 50 = Unloader with 316 S.S.
- 51 = Unloader with 316 S.S. and Viton O-Rings/Seals
- 53 = Unloader with 316 S.S. and EPDM O-Rings/Teflon Backup Ring



22107-51



22098-4000/
22096-4000/
22098-5000/
22096-5000



22971CR-40
22971CR-50
22973CR-40
22973CR-50

Pneumatic Versions

Model Number	Flow GPM (LPM)	Pressure PSI (bar)	Temp °F (°C)	Discharge FBSP in.	Inlet FBSP in.	Bypass in.	List Price U.S \$
22980PR	26.4 (100)	7250 (500)	150 (70)	1/2	3/4	1/2	\$3,740.00
22981PR	79.3 (300)	2200 (150)	150 (70)	1	1	3/4	\$3,740.00
22982PR	79.3 (300)	3000 (180)	150 (70)	1	1	3/4	\$3,740.00



Flow Actuated Unloaders



Model Number	Flow GPM (LPM)	Pressure PSI (bar)	Temp °F (°C)	Inlet Fitting	Discharge Fitting	Weight lbs (kg)	List Price U.S \$
22648	1.5-4.0 (5.7-15)	0-3000 (0-207)	160 (70)	3/4" FNPT	3/4" FNPT	2 (0.9)	\$217.35
22648A	1.5-4.0 (5.7-15)	0-3000 (0-207)	160 (70)	3/4" FNPT	3/4" FNPT	2 (0.9)	\$263.90
22650	3.0-4.5 (12-17)	0-3000 (0-207)	160 (70)	3/4" FNPT	3/4" FNPT	2 (0.9)	\$217.35
22650A	3.0-4.5 (12-17)	0-3000 (0-207)	160 (70)	3/4" FNPT	3/4" FNPT	2 (0.9)	\$263.90
22655	3.0-5.5 (12-21)	0-3000 (0-207)	160 (70)	3/4" FNPT	3/4" FNPT	2 (0.9)	\$217.35
22654A	3.5-4.8 (13-18)	3000-4000 (207-276)	160 (70)	3/4" FNPT	3/4" FNPT	2 (0.9)	\$263.90
22656	4.5-6.5 (17-25)	0-3000 (0-207)	160 (70)	3/4" FNPT	3/4" FNPT	2 (0.9)	\$217.35
22647	5.5-6.5 (21-25)	0-3000 (0-207)	160 (70)	3/4" FNPT	3/4" FNPT	2 (0.9)	\$217.35



22600 Series



Industrial Flow Actuated Unloaders

Model Number	Flow GPM (LPM)	Pressure PSI (bar)	Temp °F (°C)	Inlet Fitting	Discharge Fitting	Bypass Fitting	Weight lbs.	List Price U.S \$
22665	13 (49)	7250 (500)	140 (60)	1/2 FNPT	1/2 FNPT	1/2 FNPT	9 (4.1)	\$2,855.00
<i>22675-M24</i>	13 (49)	15,000 (1034)	140 (60)	M24 x 1.5	M24 x 1.5	1/2 MNPT	9.7 (4.4)	\$4,275.00
<i>22675-F26</i>	13 (49)	15,000 (1034)	140 (60)	F26 x 1.5	F26 x 1.5	1/2 MNPT	9.7 (4.4)	\$4,275.00
<i>22675-08-08</i>	13 (49)	15,000 (1034)	140 (60)	1/2 MNPT	1/2 MNPT	1/2 MNPT	9.7 (4.4)	\$4,275.00

22665



22675 Series



Accumulators



Model Number	Body/Bladder Construction	Pressure (PSI)	Gas Volume	Inlet Fitting (MNPT)	Weight lbs. (kg)	Order Qty	List Price U.S \$
22050	303 S.S./Buna-N	3000	5.6 in ³	3/8" FNPT	3.6 (1.4)	1	\$302.95
22050-5100	316 S.S./Buna-N	3000	5.6 in ³	3/8" FNPT	3.6 (1.4)	1	\$321.40
22050A	316 S.S./Buna-N	2700	6.75 in ³	1/2"	5.2 (2.4)	1	\$286.70
22050A-0010	316 S.S./Viton	2700	6.75 in ³	1/2"	5.2 (2.4)	1	\$286.70
22050A-0033	316 S.S./Buna-N	2700	6.75 in ³	1/2"	5.2 (2.4)	1	\$216.40
22050A-5100	316 S.S./Buna-N	2700	6.75 in ³	1/2"	5.2 (2.4)	1	\$244.50
22155A	316 S.S./Buna-N	2700	9.1 in ³	3/4"	4.6 (2.1)	1	\$293.40
22155A-5100	316 S.S./Buna-N	2700	9.1 in ³	3/4"	4.6 (2.1)	1	\$322.65
22155	303 S.S./Buna-N	2700	9.1 in ³	3/4" FNPT	4.6 (2.1)	1	\$297.75
22155-5100	303 S.S./Buna-N	2700	9.1 in ³	3/8" FNPT	4.6 (2.1)	1	\$453.05
22188	Chrome-Moly Steel/Buna-N	5000	1 qt	3/4" FNPT	9.5 (4.3)	1	\$1,662.75
22188-5100	Stainless Steel/Buna-N	5000	1 qt	3/4" FNPT	9.5 (4.3)	1	\$6,696.45
22189	Chrome-Moly Steel/Buna-N	3000	1 qt	3/4" FNPT	9.5 (4.3)	1	\$1,532.30
22189-5100	Stainless Steel/Buna-N	3000	1 qt	3/4" FNPT	9.5 (4.3)	1	\$3,630.00
22156	Chrome-Moly Steel/Buna-N	3000	214 in ³	1-1/4" FNPT	32 (14.5)	1	\$3,015.75
22156-0100	Marine Epoxy/SS/Buna-N	3000	214 in ³	1-1/4" FNPT	32 (14.5)	1	\$3,015.75
22156-7000	Nickel-Plated/SS/Buna-N	3000	214 in ³	1-1/4" FNPT	32 (14.5)	1	\$3,015.75
22156-0103	Marine Epoxy/SS/EPR	3000	214 in ³	1"	32 (14.5)	1	\$3,015.75
22152-0100	Marine Epoxy/SS/Nitrile	3000	1106 in ³	2" FNPT	76 (34.5)	1	\$5,096.85
22149	Forged Steel/Nitrile	3000	32.8 in ³	3/4" FNPT	33 (15.0)	1	\$3,363.50
22149-0100	Marine Epoxy/SS/Buna-N	3000	32.8 in ³	3/4" FNPT	33 (15.0)	1	\$5,477.20
09842 - Accumulator Charging Kit, Complete (22149, 22152, 22156, 22188 and 22189)							\$656.40
09843 - Accumulator Charging Kit, without Hose assembly (22149, 22152, 22156, 22188 and 22189)							\$277.89
20001 - Accumulator Charging and Gauging Kit (22050 and 22155 Models)							\$614.00



22050



22155



22050A



22188/
22189

Pop-Off Valves/Relief Valves



Model Number	Description	Pressure PSI (bar)	Order Qty	List Price U.S \$
22530A	3/8", Silver Spring (5)	1200 (83)	10	\$15.80
22530A-5100	3/8", Yellow Spring, 316 S.S.	1200 (83)	10	\$57.15
22550A	1/4", Silver Spring (1)	1200 (83)	10	\$15.80
22550A-5100	1/4", Yellow Spring, 316 S.S.	1200 (83)	10	\$57.15
22531A	3/8", Red Spring (6)	2400 (165)	10	\$15.80
22531A-5100	3/8", Purple Spring, 316 S.S.	2400 (165)	10	\$57.15
22560A	1/4", Red Spring (2)	2400 (165)	10	\$15.80
22532A	3/8", Orange Spring (7)	3600 (248)	10	\$15.80
22532A-5100	3/8", Black Spring, 316 S.S.	3600 (248)	10	\$57.15
22565A	1/4", Orange Spring (3)	3600 (248)	10	\$15.80
22533A	3/8", Blue Spring (8)	5000 (345)	10	\$15.80
22533A-5100	3/8", Green Spring, 316 S.S.	5000 (345)	10	\$57.15
22568	1/4", Blue Spring (4)	5000 (345)	10	\$15.80
22568-5100	1/4", Green Spring, 316 S.S.	5000 (345)	10	\$57.15
22533B	1/4" MNPT, Blue Spring	6000 (414)	10	\$15.80
22568B	1/4" MNPT, Blue Spring	6000 (414)	10	\$15.80



22530
SERIES

Flow: 10 GPM (40 LPM), Temp: 195 °F (90 °C), Weight: 0.3 lbs. (0.14 kg)

Industrial Pressure Relief Valves

Model Number	Description	Flow GPM (LPM)	Pressure PSI (bar)	Temp. °F (°C)	List Price U.S \$
23140	Heavy Duty Valve	13 (49)	15,000 (1034)	104 (40)	\$1,645.00



23140

Filter/Strainer

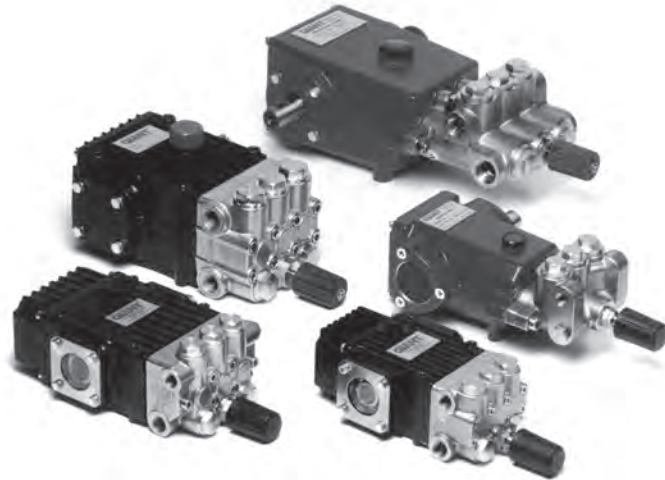
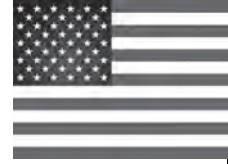
Model Number	Description	List Price U.S \$
22145C	Inlet Filter, 1/2" FBSP, 300 micron	\$30.00
04755	Y-Strainer, 3/4", Bronze	\$108.70
03313	Y-Strainer, 1-1/4", 60 mesh	\$388.30



22145C



03313/
04755



Model Number	Pulsator Valve For:	List Price U.S \$
08199	P200	\$59.75
22733	MP4130	\$163.00
<i>22734</i>	MP4120/MP4124	\$163.00
<i>22734SB</i>	MP4120/MP4124 w/solenoid	\$434.70
<i>22734SB-DC</i>	MP4120/MP4124 w/solenoid & deutsch connector	\$434.70
22735	P420/P422	\$163.00
<i>22735SB</i>	P420/P422/P423/P425	\$391.25
22736	P316/P317/P319	\$59.75
<i>22737</i>	LP301A/LP600	\$163.00
<i>22737S</i>	LP301A w/solenoid	\$434.70
<i>22737SB</i>	LP301A w/solenoid valve and cover	\$434.70
<i>22737SB-DC</i>	LP301A w/solenoid & deutsch connector	\$455.60
22738	P54/P58/P59	\$67.20
22739	P321/P314	\$59.75
22740	LP350/LP400/LP450	\$163.00
22741	LP123	\$163.00
<i>22741SB</i>	LP123 w/solenoid	\$391.25
22742	GP5128/GP5132/GP5142/GP5145	\$269.00
<i>22742SB</i>	GP5128/GP5132/GP5142/GP5145 w/solenoid & cover	\$391.25
22743	P435B/P455B	\$122.30
22744	P420/P422/P423-HP	\$163.00
22745	LP305	\$163.00
22746	GP7100/GP7600 High Flow	\$269.00
<i>22746SB</i>	GP7100/GP7600 High Flow	\$391.25
<i>22747</i>	SP100W	\$163.00
22748	GP8000/GP8100 High Flow	\$391.25

Electric Clutch

Model Number	Electric Clutch For:	List Price U.S \$
23910	P200 & P300	\$745.20
23920	P54, P55, P56, P58, P59 Pumps	\$744.80
23930	P46 Pumps	\$744.80
23940	P400 Series Pumps	\$1,025.25
23960	MP Series Pumps	\$978.05
23970	P57 Pump	\$744.75



Pump Oil

Model Number	Description	List Price U.S \$
01153	Giant Oil, 20W-50 (1 Quart)	\$21.75
01154	Industrial Gear Oil, 80W-90 (1 Gallon)	\$72.85
01157	Food Grade for CO2 (1 Quart)	\$96.20
01157-2.5	Food Grade for CO2 (2.5 Gallon)	\$695.05
01158	Gear Guard 220 (1 Gallon)	\$63.30
01159	Gear Guard 220 (2.5 Gallon)	\$67.95



Foot Valve

Item	Flow GPM (LPM)	Pressure PSI (bar)	Temp F (C)	Weight lbs. (kg)	List Price U.S \$
21515	10 (38)	5000 (345)	300 (149)	10.3 (4.7)	\$353.20



Thermal Relief Valves

**Flow: 8 GPM (30 LPM), Pressure: 90 PSI (6.2 bar),
Temp: 140 °F (60 °C), Weight: 0.3 lbs. (0.14 kg)**



Model Number	Description	List Price U.S \$
23422B	1/2" NPT Thermal Relief Valve	\$9.95
23421B	3/8" NPT Thermal Relief Valve	\$10.35
23420B	1/4" NPT Thermal Relief Valve	\$10.35



Drain Valves

Model Number	Description	List Price U.S \$
22320	GP8000 Valve Lifters	\$665.00
22321	GP7000 Valve Lifters	\$665.00



Pressure Switches



195 °F, IP55, 3 Wire

Model Number	Inlet Size	Material	Actuation Pressure	Pressure PSI (bar)	Weight lbs. (kg)	List Price U.S \$
25166	1/8" MBSP	Brass	210 PSI	4100 (283)	0.3 (0.14)	\$30.80
25167	1/8" MBSP	Brass	360 PSI	4100 (283)	0.3 (0.14)	\$30.80
25168	1/8" MBSP	Brass	580 PSI	4100 (283)	0.3 (0.14)	\$30.80
25169	1/4" MBSP	Brass	210 PSI	4100 (283)	0.3 (0.14)	\$30.80
25153	1/4" MBSP	Brass	580 PSI	4100 (283)	0.3 (0.14)	\$30.00
25171	3/8" MBSP	Brass	210 PSI	4100 (283)	0.3 (0.14)	\$45.00
25172	3/8" MBSP	Brass	360 PSI	4100 (283)	0.3 (0.14)	\$30.80
25173	3/8" MBSP	Brass	580 PSI	4100 (283)	0.3 (0.14)	\$30.80
23174	1/4" MNPT	S.S.	25 PSI	3650 (248)	0.3 (0.14)	\$70.65
23175A-4000	1/4" MNPT	S.S.	580 PSI	3650 (248)	0.6 (0.27)	\$126.25
23176A-4000	3/8" BSP	S.S.	360 PSI	3650 (248)	0.6 (0.27)	\$69.95
23177-4000	3/8" MBSP	S.S.	580 PSI	8700 (600)	0.6 (0.27)	\$41.85
23178-4000	3/8" MNPT	S.S.	360 PSI	4000 (280)	0.6 (0.26)	\$45.00

Injectors

Model Number	Description	Nozzle Size*	Orifice (mm)	Order Qty	List Price U.S \$
25170-1.8	Fixed Injector	9	1.8	10	\$22.80
25170-1.8A	Adjustable Injector	9	1.8	10	\$31.50
25170-2.1	Fixed Injector	12	2.1	10	\$22.80
25170-2.1A	Adjustable Injector	12	2.1	10	\$31.50
25170-2.3	Fixed Injector	15	2.3	10	\$22.80
25170-2.3A	Adjustable Injector	15	2.3	10	\$31.50

Pressure: 4000 PSI (275 bar), Temperature 194 °F (90 °C)

Inlet/outlet: 3/8" MNPT, Weight: 0.3 lbs. (0.14 kg)

*Minimum nozzle size required for operation

Fixed



Adjustable



Pressure Gauges

These are Giant Industries' most common sizes of pressure gauges. Additional sizes are available. Contact Giant Industries for more information.

Part Number	Range - PSI (bar)	List Price U.S \$
Brass, 1/4" Lower		
25000-04-100	0-100 (0-7)	\$120.90
25000-04-1000	0-1000 (0-70)	\$120.90
25000-04-2000	0-2000 (0-138)	\$120.90
25000-04-3000	0-3000 (0-206)	\$120.90
25000-04-4000	0-4000 (0-275)	\$120.90
25000-04-5000	0-5000 (0-345)	\$120.90
25000-04-6000	0-6000 (0-415)	\$120.90
<i>25000-04-15000</i>	0-15000 (0-1034)	\$1,375.00
Brass, 1/4" Back		
25000-04B-1000	0-1000 (0-70)	\$128.30
25000-04B-2000	0-2000 (0-138)	\$128.30
25000-04B-3000	0-3000 (0-206)	\$128.30
25000-04B-4000	0-4000 (0-275)	\$128.30
25000-04B-5000	0-5000 (0-345)	\$128.30
25000-04B-6000	0-6000 (0-415)	\$128.30
25000-04B-10000	0-10000 (0-690)	\$365.20
Brass, 1/2" Lower		
<i>25000-08-10000</i>	0-10000 (0-690)	\$543.40
<i>25000-08-15000</i>	0-15000 (0-1034)	\$695.50
<i>25000-08-20000</i>	0-20000 (0-1379)	\$787.90
Stainless Steel, 1/4" Lower		
25000-04-1000SS	0-1000 (0-70)	\$226.15
25000-04-2000SS	0-2000 (0-138)	\$222.50
25000-04-3000SS	0-3000 (0-206)	\$226.15
25000-04-5000SS	0-5000 (0-345)	\$226.15
Stainless Steel, 1/4" Back		
25000-04B-2000SS	0-2000 (0-138)	\$380.35



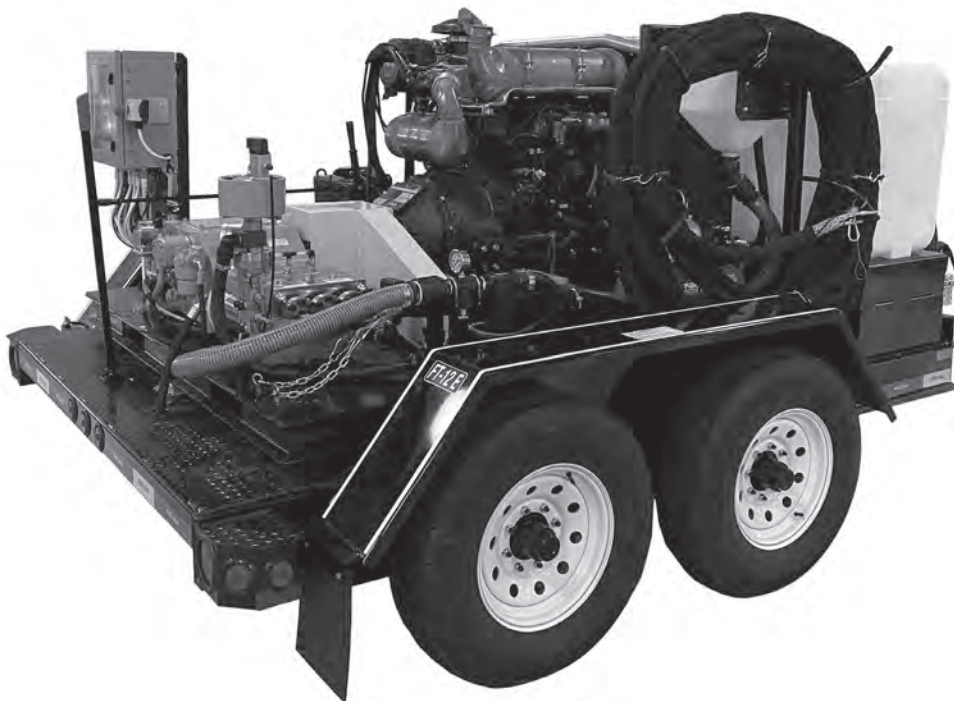
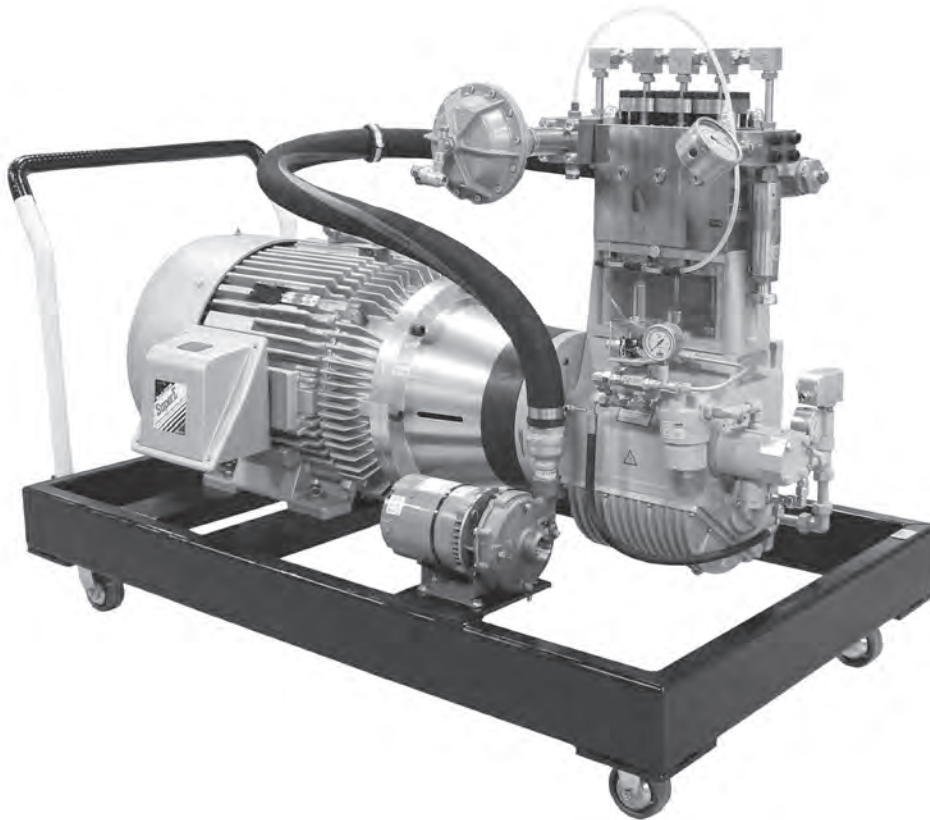
25000-04 Series



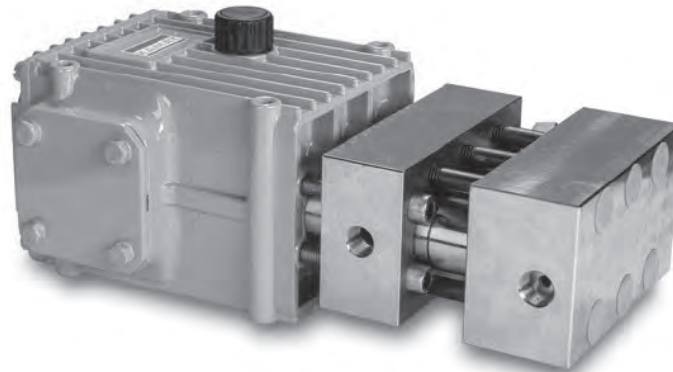
25000-04B Series

Kamat Units

Giant's rugged Industrial Power Packs have been designed to provide you with the durability you require. Your return on investment comes with each use. Built to your specifications the Industrial Power Pack provides liquid power for every application. Gasoline, diesel, natural gas and hydraulic drives are available. With a flow range of 1.8 to 1000 GPM and up to 50,000 PSI there are a variety of options available to you.



Kamat Pumps



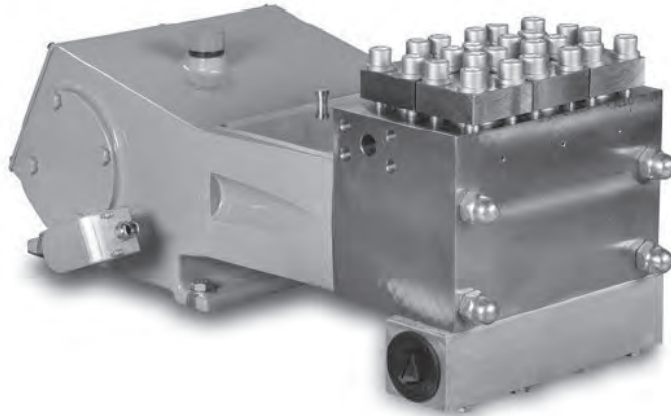
- ◆ Flow rate based on 100% volumetric efficiency and 68 °F (20 °C) ambient temperature
- ◆ Gear end with splash Lubrication
- ◆ Load-cycle-free pump head in stainless steel
- ◆ Tungsten carbide plungers
- ◆ Parts in contact with fluid stainless steel
- ◆ Horizontal installation

K 100-3 Performance Data

Type	Plunger Diameter	Pump Speed	Flow		Power Required at		Power Required at		Power Required at	
					14,500 PSI	1000 bar	21,750 PSI	1500 bar	29,000 PSI	2000 bar
	mm	RPM	GPM	l/min	hp	kW	hp	kW	hp	kW
108	8.5 mm	min. 500	0.53	2	5.16	3.85	7.74	5.77	10.31	7.69
		600	0.63	2.4	6.20	4.62	9.28	6.92	12.38	9.23
		700	0.74	2.8	7.22	5.38	10.84	8.08	14.44	10.77
		800	0.85	3.2	8.25	6.15	12.38	9.23	16.51	12.31
		900	0.95	3.6	9.28	6.92	13.92	10.38	18.57	13.85
		max. 1000	1.06	4	10.31	7.69	15.48	11.54	20.12	15.00

Type	Plunger Diameter	Pump Speed	Flow		Power Required at		Power Required at		X
					14,500 PSI	1000 bar	17,400 PSI	1200 bar	
	mm	RPM	GPM	l/min	hp	kW	hp	kW	
111	11 mm	min. 500	0.9	3.4	8.77	6.54	10.53	7.85	
		600	1.08	4.1	10.57	7.88	12.69	9.46	
		700	1.24	4.7	12.12	9.04	14.55	10.85	
		800	1.43	5.4	13.92	10.38	16.71	12.46	
		900	1.61	6.1	15.73	11.73	18.88	14.08	
		max. 1000	1.8	6.8	17.54	13.08	20.12	15.00	

Kamat Pumps

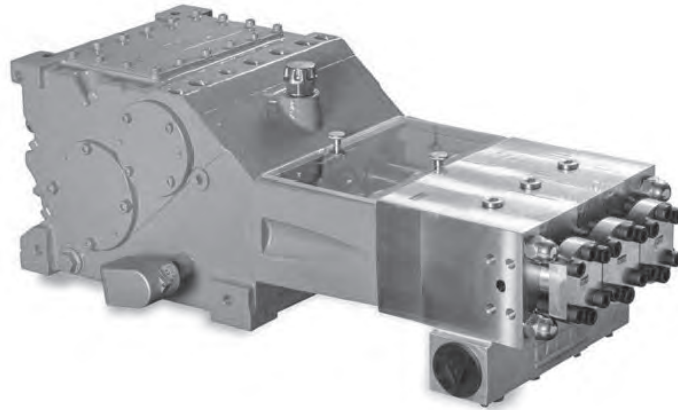


- ◆ Flow rate is based on 100% volumetric efficiency and 68° F (20° C) ambient temperature.
- ◆ Depending on fluid medium, a minimum inlet pressure is required.
- ◆ Speed range: 10-100% (depending on rod force)
- ◆ Gear with splash lubrication.
- ◆ Weight: 430 lbs (195 kg)
- ◆ API 674 specifications available upon request (maximum of 450 RPM).
- ◆ Contact your local distributor or Giant Industries for use with special mediums. i.e. seawater, glycol, methanol, oil, etc.

K4500-3 Performance Data

Rated Speed 650 RPM			Pressure at specific power inputs								Pump Head Style		
Type	FLOW		30 Hp	22 kW	40 Hp	30 kW	50 Hp	37 kW	60 Hp	45 kW	A	M	M2
	GPM	L/min	PSI	Bar	PSI	Bar	PSI	Bar	PSI	Bar			
4510	2.1	8	22119	1525	30095	2075	37130	2560	43511	3000	1		
4512	2.9	11	15374	1060	20958	1445	25817	1780	30820	2125	1		
4514	4.0	15	11240	775	15374	1060	18928	1305	22625	1560	1		
4516	5.3	20	8630	595	11748	810	14500	1000	17332	1195	1		
4518	6.6	25	6817	470	9283	640	11458	790	13706	945	2	1	
4520	8.2	31	5512	380	7542	520	9282	640	11095	765	2	1	
4522	9.8	37	4569	315	6237	430	7687	530	9138	630	2	1	
4524	11.6	44	3844	265	5221	360	6454	445	7687	530	2	1	
4526	13.7	52	3263	225	4424	305	5511	380	6527	450	2	1	
4528	15.9	60	2828	195	3844	265	4714	325	5657	390	2	1	
4530	18.2	69	2466	170	3335	230	4133	285	4930	340	2		1
4532	20.6	78	2175	150	2973	205	3625	250	4351	300	2		1
4536	26.2	99	1740	120	2320	160	2900	200	3408	235			1
4540	32.2	122	1378	95	1885	130	2320	160	2755	190			1
4545	41.0	155	1088	75	1523	105	1813	125	2175	150			1
4550	50.5	191	870	60	1233	85	1450	100	1740	120			1
4555	61.3	232	725	50	1015	70	1233	85	1450	100			1

Kamat Pumps

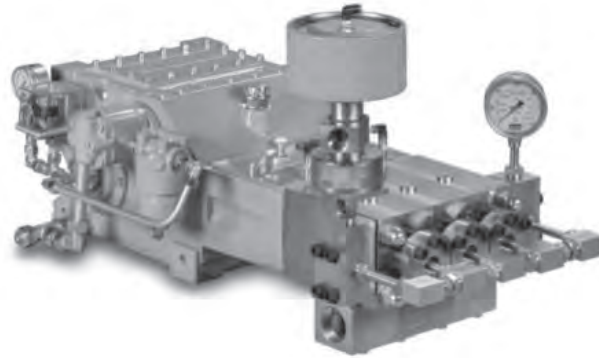


- ◆ Flow rate is based on 100% volumetric efficiency and 68° F (20° C) ambient temperature.
- ◆ Depending on fluid medium, a minimum inlet pressure is required.
- ◆ Depending on rod loading, speed range = 10-100%.
- ◆ Gear with splash lubrication.
- ◆ Standard Gear Ratios: $i = 2.75, 3.22$ and 3.68
- ◆ Weight: 551 lbs (250 kg)
- ◆ API 674 specifications (400 RPM) available upon request.
- ◆ Contact your local distributor or Giant Industries for use with special mediums. i.e. seawater, glycol, methanol, oil, etc.

K8000-3G Performance Data

Rated Speed 530 RPM			Pressure at specific power inputs								Pump Head Style		
Type	FLOW		60 Hp	45 kW	74 Hp	55 kW	80 Hp	60 kW	100 Hp	75 kW	A	M	M2
	GPM	L/min	PSI	Bar	PSI	Bar	PSI	Bar	PSI	Bar			
8010	2.4	9	36985	2550	45180	3115	49241	3395	50764	3500	1		
8012	3.4	13	25672	1770	31329	2160	34229	2360	42787	2950	1		
8014	4.8	18	18855	1300	23061	1590	25164	1735	31404	2165	1		
8016	6.3	24	14431	995	17622	1215	19218	1325	24077	1660	1		
8018	7.9	30	11386	785	13924	960	15229	1050	19000	1310	2		
8020	9.8	37	9210	635	11313	780	12328	850	15374	1060	2		
8022	11.9	45	7615	525	9355	645	10153	700	12691	875	2	1	
8024	14.3	54	6382	440	7832	540	8557	590	10660	735	2	1	
8026	16.6	63	5439	375	6672	460	7325	505	9138	630	2	1	
8028	19.3	73	4714	325	5729	395	6309	435	7832	540	2	1	
8030	22.2	84	4134	285	5004	345	5439	375	6817	470	2		1
8032	25.4	96	3626	250	4424	305	4786	330	6019	415	2		1
8036	32.0	121	2828	195	3481	240	3771	260	4786	330			1
8040	39.6	150	2321	160	2828	195	3046	210	3844	265			1
8045	50.2	190	1813	125	2248	155	2466	170	3046	210			1
8050	61.8	234	1450	100	1813	125	1958	135	2466	170			1
8055	74.8	283	1233	85	1523	105	1595	110	2031	140			1

Kamat Pumps

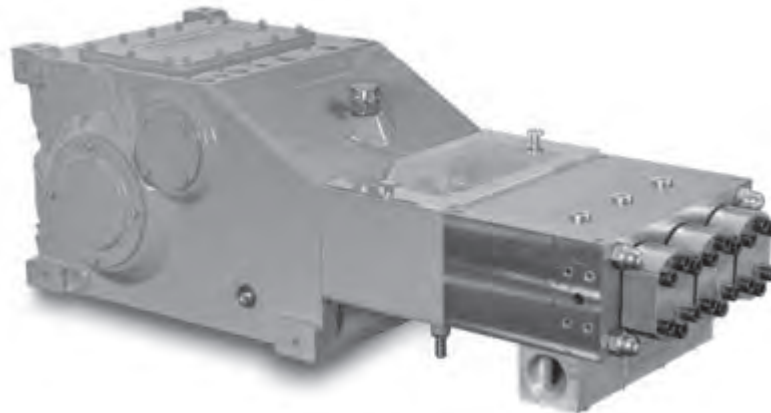


- ◆ Flow rate is based on 100% volumetric efficiency and 68° F (20° C) ambient temperature.
- ◆ Depending on fluid medium, a minimum inlet pressure is required.
- ◆ Depending on rod loading, speed range = 10-100%.
- ◆ Gear with splash lubrication.
- ◆ Standard Gear Ratios: $i = 2.75, 3.22$ and 3.68
- ◆ Weight: 562 lbs (255 kg)
- ◆ API 674 specifications (maximum 400 RPM) available upon request.
- ◆ Contact your local distributor or Giant Industries for use with special mediums. i.e. seawater, glycol, methanol, oil, etc.
- ◆ Vertical Operation is possible

K9000-3G Performance Data

Rated Speed 530 RPM			Pressure at specific power inputs								Pump Head Style		
Type	FLOW		61 HP	45 kW	74 Hp	55 kW	100 Hp	75 kW	121 Hp	90 kW	A	M	M2
	GPM	L/min	PSI	Bar	PSI	Bar	PSI	Bar	PSI	Bar			
9012	3.4	13	25672	1770	31329	2160	42787	2950	45543	3140	1		
9014	4.8	18	18855	1300	23061	1590	31401	2165	33432	2305	1		
9016	6.3	24	14431	995	17622	1215	24077	1660	25600	1765	1		
9018	7.9	30	11386	785	13924	960	19000	1310	20233	1395	2		
9020	9.8	37	9210	635	11313	780	15734	1060	16390	1130	2		
9022	11.9	45	7615	525	9355	645	12691	875	13561	935	2	1	
9024	14.3	54	6382	440	7832	540	10660	735	11386	785	2	1	
9026	16.6	63	5439	375	6672	460	9138	630	9718	670	2	1	
9028	19.3	73	4714	325	5729	395	7832	540	8340	575	2	1	
9030	22.2	84	4134	285	5004	345	6817	470	7252	500	2		1
9032	25.4	96	3626	250	4424	305	6019	415	6382	440	2		1
9036	32.0	121	2828	195	3481	240	4786	330	5076	350			1
9040	39.6	150	2321	160	2828	195	3844	265	4134	285			1
9045	50.2	190	1813	125	2248	155	3046	210	3263	225			1
9050	61.8	234	1450	100	1813	125	2466	170	2611	180			1
9055	74.8	283	1233	85	1523	105	2031	140	2176	150			1

Kamat Pumps

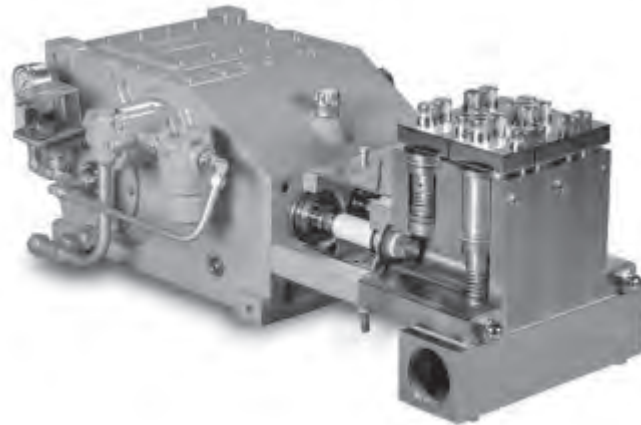


- ◆ Flow rate is based on 100% volumetric efficiency and 68° F (20° C) ambient temperature.
- ◆ Depending on fluid medium, a minimum inlet pressure is required.
- ◆ Depending on rod loading, speed range = 10-100%.
- ◆ Gear dynamically balanced
- ◆ Gear with splash lubrication.
- ◆ Standard Gear Ratios: $i = 3.00, 3.14, 3.39, 3.76, 4.13, 4.50$ and 4.93
- ◆ Weight: 937 lbs (425 kg)
- ◆ API 674 specifications (maximum 340 RPM)available upon request.
- ◆ Contact your local distributor or Giant Industries for use with special mediums. i.e. seawater, glycol, methanol, oil, etc.

K11000-3G Performance Data

Rated Speed 435 RPM			Pressure at specific power inputs								Pump Head Style		
Type	FLOW		80 Hp	60 kW	101 Hp	75 kW	121 Hp	90 kW	147 Hp	110 kW	A	M	M2
	GPM	L/min	PSI	Bar	PSI	Bar	PSI	Bar	PSI	Bar			
11014	5.6	21	21901	1510	27340	1885	32852	2265	38653	2665	1		
11016	7.4	28	16752	1155	20958	1445	25092	1730	29588	2040	1		
11018	9.3	35	13199	910	16535	1140	19870	1370	23351	1610	1		
11020	11.4	43	10733	740	13416	925	16099	1110	18928	1305	2		
11022	13.7	52	8847	610	11096	765	13271	915	15664	1080	2		
11024	16.4	62	7470	515	9283	640	11168	770	13126	905	2	1	
11026	19.3	73	6309	435	7905	545	9500	655	11241	775	2	1	
11028	22.2	84	5439	375	6817	470	8195	565	9645	665	2	1	
11030	25.6	97	4786	330	5947	410	7179	495	8412	580	2	1	
11032	29.1	110	4206	290	5221	360	6309	435	7397	510	2	1	
11036	36.7	139	3336	230	4134	285	4931	340	5874	405	2		1
11040	45.4	172	2683	185	3336	230	3989	275	4714	325			1
11045	57.6	218	2103	145	2611	180	3191	220	3771	260			1
11050	71.1	269	1740	120	2176	150	2538	175	3046	210			1
11055	85.9	325	1450	100	1740	120	2103	145	2538	175			1
11060	102.2	387	1160	80	1523	105	1813	125	2103	145			1
11065	119.9	454	1015	70	1233	85	1523	105	1813	125			1

Kamat Pumps



- ◆ Flow rate is based on 100% volumetric efficiency and 68° F (20° C) ambient temperature.
- ◆ Depending on fluid medium, a minimum inlet pressure is required.
- ◆ Depending on rod loading, speed range = 10-100%.
- ◆ Gear dynamically balanced
- ◆ Gear with force-fed lubrication (> 174 HP [130 kW] with oil cooler).
- ◆ Standard Gear Ratios: $i = 3.00, 3.14, 3.39, 3.76, 4.13, 4.50$ and 4.93
- ◆ Weight: 970 lbs (440 kg)
- ◆ API 674 specifications (maximum 340 RPM) available upon request.
- ◆ Contact your local distributor or Giant Industries for use with special mediums. i.e. seawater, glycol, methanol, oil, etc.

K18000-3G Performance Data

Rated Speed 500 RPM			Pressure at specific power inputs								Pump Head Style		
Type	FLOW		147 Hp	110 kW	177 Hp	132 kW	215 Hp	160 kW	241 Hp	180 kW	A	M	M2
	GPM	L/min	PSI	Bar	PSI	Bar	PSI	Bar	PSI	Bar			
18014	6.3	24	34882	2405	41844	2885	50764	3500	--	--	1		
18016	8.5	32	26687	1840	32054	2210	38871	2680	43294	2985	1		
18018	10.6	40	21103	1455	25309	1745	30676	2115	34229	2360	1		
18020	12.9	49	17115	1180	20523	1415	24874	1715	27703	1910	1		
18022	15.9	60	14141	975	16970	1170	20523	1415	22916	1580	2		
18024	18.8	71	11893	820	14214	980	17260	1190	19218	1325	2		
18026	22.2	84	10153	700	12111	835	14722	1015	16390	1130	2		
18028	25.6	97	8702	600	10443	720	12691	875	14141	975	2	1	
18030	29.3	111	7615	525	9138	630	11023	760	12328	850	2	1	
18032	33.6	127	6672	460	8050	555	9718	670	10805	745	2	1	
18036	42.3	160	5294	365	6309	435	7687	530	8557	590	2		1
18040	52.3	198	4279	295	5149	355	6237	430	6962	480			1
18045	66.1	250	3408	235	4061	280	4931	340	5439	375			1
18050	81.6	309	2756	190	3263	225	3989	275	4424	305			1
18055	98.8	374	2248	155	2683	185	3263	225	3699	255			1
18060	117.6	445	1886	130	2248	155	2756	190	3046	210			1
18065	137.9	522	1595	110	1958	135	2321	160	2611	180			1

Kamat Pumps



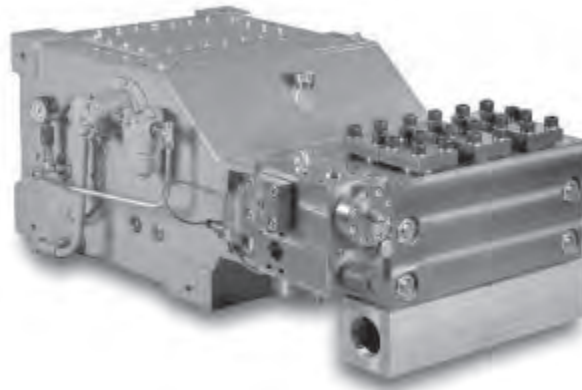
- ◆ Flow rate is based on 100% volumetric efficiency and 68° F (20° C) ambient temperature.
- ◆ Depending on fluid medium, a minimum inlet pressure is required.
- ◆ Depending on rod loading, speed range = 10-100%.
- ◆ Gear dynamically balanced
- ◆ Gear with force-fed lubrication (> 214 HP/160 kW with oil cooler).
- ◆ Standard Gear Ratios: $i = 3.33, 3.50, 4.04, 4.62$ and 5.44
- ◆ Weight: 2127 lbs (965 kg)
- ◆ API 674 specifications (maximum 340 RPM) and vertical operation available upon request.
- ◆ Contact your local distributor or Giant Industries for use with special mediums. i.e. seawater, glycol, methanol, oil, etc.

K25000-3G Performance Data

Rated Speed 450 RPM			Pressure at specific power inputs								Pump Head Style		
Type	FLOW		177 Hp	132 kW	215 Hp	160 kW	268 Hp	200 kW	335 Hp	250 kW	A	M	M2
	GPM	L/min	PSI	Bar	PSI	Bar	PSI	Bar	PSI	Bar			
25018	10.8	41	24657	1700	29878	2060	37348	2575	46195	3185	1		
25020	13.5	51	19943	1375	24149	1665	30241	2085	37420	2580	1		
25022	16.4	62	16462	1135	20016	1380	24947	1720	30894	2130	1		
25024	19.3	73	13851	955	16825	1160	20958	1445	25962	1790	1		
25026	22.7	86	11821	815	14286	985	17912	1235	22119	1525	2		
25028	26.4	100	10153	700	12328	850	15447	1065	19073	1315	2		
25030	30.1	114	8847	610	10733	740	13416	925	16607	1145	2		
25032	34.3	130	7760	535	9428	650	11821	815	14649	1010	2	1	
25036	43.6	165	6164	425	7470	515	9355	645	11531	795	2	1	
25040	53.6	203	5004	345	6019	415	7542	520	9355	645	2	1	
25045	68.2	258	3916	270	4786	330	5947	410	7397	510	2	1	
25050	84.0	318	3191	220	3844	265	4859	335	6019	415	2	1	
25055	101.7	385	2611	180	3191	220	3989	275	4931	340		1	
25060	121.0	458	2248	155	2683	185	3336	230	4134	285		1	
25065	141.9	537	1886	130	2321	160	2828	195	3553	245		1	1
25070	164.6	623	1595	110	1958	135	2466	170	3046	210			1
25075	188.9	715	1450	100	1740	120	2176	150	2683	185			1
25085	242.8	919	1088	75	1305	90	1668	115	2103	145			1
25095	303.3	1148	870	60	1088	75	1305	90	1668	115			1

K45000-3G

Kamat Pumps



- ◆ Flow rate is based on 100% volumetric efficiency and 68° F (20° C) ambient temperature.
- ◆ Depending on fluid medium, a minimum inlet pressure is required.
- ◆ Depending on rod loading, speed range = 10-100%.
- ◆ Gear dynamically balanced
- ◆ Gear with force-fed lubrication with oil cooler.
- ◆ Standard Gear Ratios: $i = 3.39, 4.05, 4.76$ and 5.25
- ◆ Weight: 2998 lbs (1360 kg)
- ◆ API 674 specifications (maximum 290 RPM) and vertical operation available upon request.
- ◆ Contact your local distributor or Giant Industries for use with special mediums. i.e. seawater, glycol, methanol, oil, etc.

K45000-3G Performance Data

Rated Speed 440 RPM			Pressure at specific power inputs								Pump Head Style		
Type	FLOW		422 Hp	315 kW	469 Hp	350 kW	536 Hp	400 kW	604 Hp	450 kW	A	M	M2
	GPM	L/min	PSI	Bar	PSI	Bar	PSI	Bar	PSI	Bar			
45020	15.3	58	41699	2875	46340	3195	50764	3500	-----	-----	1		
45022	18.5	70	34520	2380	38291	2640	43802	3020	49241	3395	1		
45024	22.2	84	29008	2000	32199	2220	36768	2535	41409	2855	1		
45026	25.9	98	24657	1700	27413	1890	31329	2160	35245	2430	1		
45028	30.1	114	21321	1470	23642	1630	27050	1865	30386	2095	1		
45030	34.6	131	18565	1280	20596	1420	23569	1625	26470	1825	1		
45032	39.4	149	16317	1125	18130	1250	20668	1425	23279	1605	1		
45036	49.7	188	12909	890	14286	985	16390	1130	18420	1270	2		
45040	61.3	232	10443	720	11603	800	13271	915	14939	1030	2	1	
45045	77.7	294	8267	570	9138	630	10443	720	11748	810	2	1	
45050	95.9	363	6672	460	7397	510	8485	585	9573	660	2	1	
45055	116.0	439	5512	380	6164	425	7034	485	7905	545		1	
45060	137.9	522	4641	320	5149	355	5874	405	6599	455		1	
45065	162.0	613	3916	270	4424	305	5004	345	5657	390		1	
45070	187.8	711	3408	235	3771	260	4351	300	4859	335			1
45075	215.6	816	2973	205	3263	225	3771	260	4206	290			1
45085	276.9	1048	2321	160	2538	175	2901	200	3336	230			1
45095	345.8	1309	1886	130	2031	140	2321	160	2611	180			1

Kamat Pumps

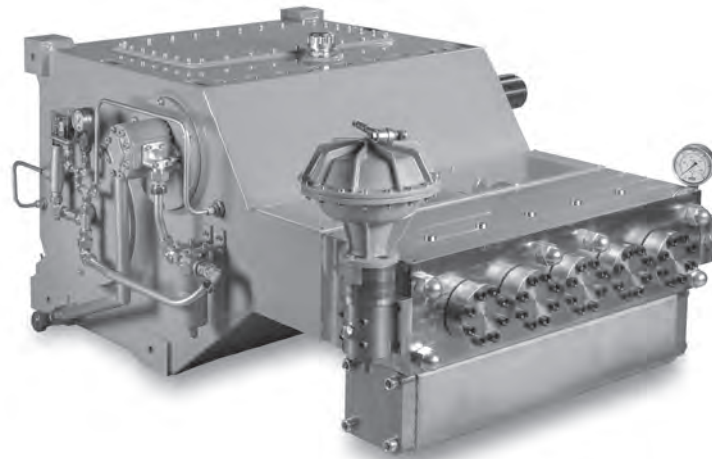


- ◆ Flow rate is based on 100% volumetric efficiency and 68° F (20° C) ambient temperature.
- ◆ Depending on fluid medium, a minimum inlet pressure is required.
- ◆ Depending on rod loading, speed range = 10-100%.
- ◆ Gear dynamically balanced
- ◆ Gear with force-fed lubrication with oil cooler.
- ◆ Standard Gear Ratios: $i = 3.30, 3.95, 4.66$ and 5.63
- ◆ Weight: 4850 lbs (2200 kg)
- ◆ API 674 specifications (maximum 380 RPM) and vertical operation available upon request.
- ◆ Contact your local distributor or Giant Industries for use with special mediums. i.e. seawater, glycol, methanol, oil, etc.

K55000-5G Performance Data

Rated Speed 450 RPM			Pressure at specific power inputs								Pump Head Style		
Type	FLOW		536 Hp	400 kW	604 Hp	450 kW	671 Hp	500 kW	738 Hp	550 kW	A	M	M2
	GPM	L/min	PSI	Bar	Hp	kW	Hp	kW	Hp	kW			
55018	18.2	69	44745	3085	50401	3475	50764	3500	-----	-----	1		
55020	22.5	85	36260	2500	40829	2815	45325	3125	49894	3440	1		
55022	27.2	103	29951	2065	33722	2325	37493	2585	41191	2840	1		
55024	32.2	122	25164	1735	28355	1955	31474	2170	34665	2390	1		
55026	37.8	143	21466	1480	24149	1665	26832	1850	29516	2035	1		
55028	43.9	166	18493	1275	20813	1435	23134	1595	25455	1755	1		
55030	50.5	191	16099	1110	18130	1250	20161	1390	22191	1530	2		
55032	57.3	217	14141	975	15954	1100	17695	1220	19508	1345	2		
55036	72.7	275	11168	770	12618	870	13996	965	15374	1060	2	1	
55040	89.6	339	9065	625	10225	705	11313	780	12473	860	2	1	
55045	113.3	429	7179	495	8050	555	8920	615	9863	680	2	1	
55050	140.0	530	5802	400	6527	450	7252	500	7977	550	2	1	
55055	169.3	641	4786	330	5366	370	6019	415	6599	455		1	
55060	201.6	763	4061	280	4569	315	5004	345	5512	380		1	
55065	236.4	895	3408	235	3844	265	4279	295	4714	325		1	
55070	274.5	1039	2973	205	3336	230	3699	255	4061	280			1
55075	314.9	1192	2611	180	2901	200	3191	220	3553	245			1
55085	404.5	1531	2031	140	2248	155	2538	175	2756	190			1
55090	453.6	1717	1813	125	2031	140	2248	155	2466	170			1
55095	505.4	1913	1595	110	1813	125	2031	140	2176	150			1

Kamat Pumps

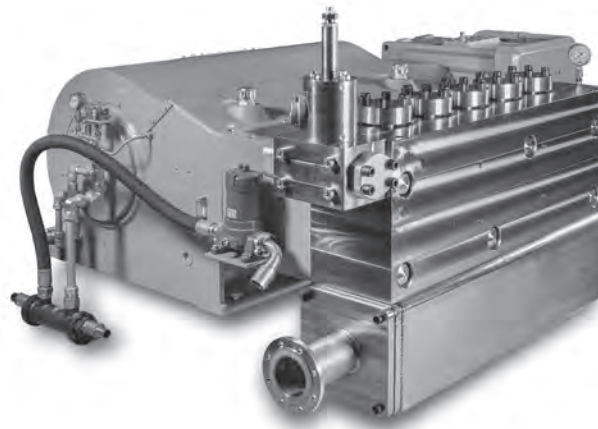


- ◆ Flow rate is based on 100% volumetric efficiency and 68° F (20° C) ambient temperature.
- ◆ Depending on fluid medium, a minimum inlet pressure is required.
- ◆ Depending on rod loading, speed range = 10-100%.
- ◆ Gear dynamically balanced
- ◆ Gear with force-fed lubrication with oil cooler.
- ◆ Standard Gear Ratios: $i = 3.30, 3.95, 4.66$ and 5.63
- ◆ Weight: 8047 lbs (3650 kg)
- ◆ API 674 specifications (maximum 340 RPM) and vertical operation available upon request.
- ◆ Contact your local distributor or Giant Industries for use with special mediums. i.e. seawater, glycol, methanol, oil, etc.

K100000-5G Performance Data

Rated Speed 440 RPM			Pressure at specific power inputs							Pump Head Style			
Type	FLOW		845 Hp	630 kW	952 Hp	710 kW	1073 Hp	800 kW	1341 Hp	1000 kW	A	M	M2
	GPM	L/min	PSI	Bar	PSI	Bar	PSI	Bar	PSI	Bar			
100022	30.9	117	41409	2855	46630	3215	50764	3500	-----	-----	1		
100024	36.7	139	34810	2400	39161	2700	44165	3045	50764	3500	1		
100026	43.1	163	29661	2045	33359	2300	37638	2595	47065	3245	1		
100028	50.2	190	25527	1760	28790	1985	32416	2235	40539	2795	1		
100032	65.5	248	19580	1350	22046	1520	24874	1715	31039	2140	1		
100036	82.7	313	15447	1065	17405	1200	19653	1355	24512	1690	1		
100040	102.2	387	12546	865	14141	975	15882	1095	19870	1370	2		
100045	129.5	490	9863	680	11168	770	12546	865	15737	1085	2	1	
100050	159.6	604	7977	550	9065	625	10153	700	12691	875	2	1	
100055	193.1	731	6599	455	7470	515	8412	580	10515	725		1	
100060	229.8	870	5584	385	6237	430	7034	485	8847	610		1	
100065	270.0	1022	4714	325	5366	370	6019	415	7542	520		1	
100070	313.1	1185	4061	280	4641	320	5221	360	6454	445		1	
100075	359.3	1360	3553	245	3989	275	4496	310	5657	390		1	
100080	408.7	1547	3118	215	3553	245	3989	275	5004	345			1
100085	461.5	1747	2756	190	3118	215	3553	245	4424	305			1
100090	517.3	1958	2466	170	2756	190	3118	215	3916	270			1
100095	576.4	2182	2248	155	2466	170	2828	195	3553	245			1
100100	638.8	2418	2031	140	2248	155	2538	175	3191	220			2
100110	773.0	2926	1668	115	1886	130	2103	145	2611	180			2
100120	919.9	3482	1378	95	1595	110	1740	120	2176	150			2

Kamat Pumps



- ◆ Flow rate is based on 100% volumetric efficiency and 68° F (20° C) ambient temperature.
- ◆ Depending on fluid medium, a minimum inlet pressure is required.
- ◆ Depending on rod loading, speed range = 10-100%.
- ◆ Crankshaft dynamically balanced
- ◆ Gear with external force-fed lubrication with oil cooling.
- ◆ Standard Gear Ratios: i = 4.76, 5.72 and 6.35
- ◆ Weight: 16,535 lbs (7500 kg)
- ◆ API 674 specifications (maximum 310 RPM) and vertical operation available upon request.
- ◆ Contact your local distributor or Giant Industries for use with special mediums. i.e. seawater, glycol, methanol, oil, etc.

K150000-5G Performance Data

Rated Speed 320 RPM			Pressure at specific power inputs								Pump Head Style		
Type	FLOW		1006 Hp	750 kW	1341 Hp	1000 kW	1676 Hp	1250 kW	2012 Hp	1500 kW	A	M	M2
	GPM	L/min	PSI	Bar	PSI	Bar	PSI	Bar	PSI	Bar			
150028	49.4	187	30821	2125	41119	2835	50764	3500	-----	-----	1		
150030	56.8	215	26832	1850	35825	2470	44745	3085	50764	3500	1		
150032	64.5	244	23569	1625	31474	2170	39306	2710	46340	3195	1		
150036	81.6	309	18638	1285	24874	1715	31039	2140	36623	2525	1		
150040	100.9	382	15084	1040	20161	1390	25164	1735	29661	2045	1		
150045	127.6	483	11966	825	15882	1095	19870	1370	23424	1615	1		
150050	157.7	597	9645	665	12909	890	16099	1110	19000	1310	2		
150055	190.7	722	7977	550	10660	735	13344	920	15664	1080	2		
150060	226.9	859	6744	465	8920	615	11168	770	13199	910	2	1	
150065	266.3	1008	5729	395	7615	525	9500	655	11241	775	2	1	
150070	308.8	1169	4931	340	6599	455	8195	565	9718	670	2	1	
150075	354.5	1342	4279	295	5729	395	7179	495	8412	580	2	1	
150080	403.4	1527	3771	260	5004	345	6309	435	7397	510			1
150085	455.4	1724	3336	230	4424	305	5584	385	6599	455			1
150090	510.7	1933	2973	205	3989	275	5004	345	5874	405			1
150095	569.0	2154	2683	185	3553	245	4496	310	5294	365			1
150100	630.3	2386	2393	165	3191	220	4061	280	4714	325			2
150110	762.9	2888	2031	140	2683	185	3336	230	3916	270			2
150120	833.7	3156	1813	125	2466	170	3046	210	3626	250			2
150130	907.7	3436	1668	115	2248	155	2828	195	3263	225			2
150140	1235.5	4677	1233	85	1668	115	2031	140	2393	165			2

Spray Guns

Kamat Accessories

KSP500

- KSP 500 with 500 mm spray tube Part no. 7002580
- KSP 500 with 1000 mm spray tube Part no. 7002581

Technical Data

	U.S.	Metric
Max. Working Pressure	8700 PSI	600 bar
Maximum Capacity	21.1 GPM	80 L/min
Connection		1/2" FBSP
Nozzle Connection		1/4" MBSP
Total Length	25.6" or 45.3"	650 mm or 1150 mm*
Weight	6.6-8.8 lbs.	3-4 kg*
Temperature	maximum 302 °F	maximum 150 °C

*depending on actual model



KSP1500

HP - Gun complete with spray tube 29.5 in. (750 mm) handle and nozzle holder for insert nozzles (without hose connector and nozzle)

Part no. 7009209

Technical Data

	U.S.	Metric
Max. Working Pressure	17,400 PSI	1200 bar
Maximum Capacity	10.6 GPM	40 L/min
Connection	M 26x1.5 (with pressure screw M 26x1.5 and pressure ring M 14x1.5 LH)	
Total Length	39.4"	1000 mm
Weight	7.5 lbs.	3.4 kg
Temperature	maximum 122 °F	maximum 50 °C



KSP3000

HP - Gun complete with spray tube - 29.5 in. (750 mm) and nozzle holder for insert nozzles. (Supplied without nozzles)

Part No. 7018125

Technical Data

	U.S.	Metric
Max. Working Pressure	43,500 PSI	3000 baar
Maximum Capacity	10.6 GPM	40 L/min
Total Length	39.4"	1000 mm
Weight	6.6 lbs.	3.0 kg
Temperature	maximum 122 °F	maximum 50 °C
Connection	M 26x1.5 female	



Spray Dump Guns

Kamat Accessories

K1500 Spray Dump Gun



Part no. 7010442

High Pressure Gun complete with spray tube 29.5 in. (750 mm), handle, hose connector M 24x1.5 DKO, bypass tube 15.7 in. (400 mm) and nozzle holder for insert nozzles

Technical Data

	U.S.	Metric
Max. Working Pressure	21,750 PSI	1500 bar
Maximum Capacity	10.6 GPM	40 L/min
Connection		M 24x1.5 DKO
Total Length	39.4"	1000 mm
Weight (complete)	7.5 lbs.	3.4 kg
Weight (without spray tube and bypass tube)	6.8 lbs.	3.1 kg
Temperature	maximum 122 °F	maximum 50 °C

K3000 Spray Dump Gun



Part no. 7016690

HP - Gun complete with spray tube 29.5 in. (750 mm), handle, hose connector M 14x1.5 LH, bypass tube 15.7 in. (400 mm) and nozzle holder for insert nozzles

Technical Data

	U.S.	Metric
Max. Working Pressure	43,500 PSI	3000 bar
Maximum Capacity	7.9 GPM	30 L/min
Connection	M 26x1.5 female (with pressure ring M 14x1.5 LH and pressure screw M26x1.5)	
Total Length	39.4"	1000 mm
Weight (complete)	7.5 lbs.	3.4 kg
Weight (without spray tube and bypass tube)	6.8 lbs.	3.1 kg
Temperature	maximum 122 °F	maximum 50 °C

Roto Lance

Kamat Accessories

- Roto-Lance complete with rotating tube, protection tube, pneumatic drive and initiator (without nozzle head)



Part no. 7029552

Optional Equipment:

-without gun handle

Part no. 7028912



Additional Equipment:

-Shoulder support



Part no. 7009215

Applications

Cleaning of surfaces, cleaning and washing of concrete and stones, removal of concrete and laying bare reinforcements as well as removal of paints and coatings, removal of graffiti, etc.

Technical Data

	U.S.	Metric
Max. Working Pressure:	50,770 PSI	3500 bar
Max. Capacity:	13.2 GPM	50 L/min
Pressure Connection:		M 26x1.5 female (pressure screw & pressure ring available see accessories)
Connection for nozzle head:		M 14x1.5 LH male
Total Length:	39.4"	1000 mm
Weight (complete)	13.2 lbs.	6 kg
Weight (without handle):	7.7 lbs.	3.5 kg
Temperature:	max. 194 °F	max. 90 °C
Usable Nozzle Heads:		-see page Z 35-1e

Pneumatic Drive

Speed RPM:		0 - 1800 RPM
Air Connection:		Quick coupling for air hose ID 6
Air Requirement:		5.0 l/s (filtered and oiled air)
Air Working Pressure:	91.4 PSI	6.3 bar

Kamat Accessories

Symbol						
ID	DN 16	DN 32	DN 50	DN 80	DN 17	DN 25
Function	Electric				Spring Loaded	
Maximum Pressure PSI (bar)	7250 (500)				10,150 (700)	
Flow GPM (L/min)	0 - 53 (0 -200)	53 - 159 (200 - 600)	159 - 370 (600 - 1400)	370 - 687 (1400 - 3600)	0 - 53 (0 -200)	0 - 92.5 (0 - 350)
Inlet Connection	30x65 mm ø 15 mm	70x70 mm ø 17 mm	80x90 mm ø 17 mm	100x200 mm ø 25 mm	30x65 mm ø 15 mm	30x65 mm ø 15 mm
Discharge Connection	SAE 3/4" 6000 PSI	SAE 1-1/2" 6000 PSI	SAE 2" 6000 PSI	SAE 2-1/2" 6000 PSI	M 22x1.5 IG - female	M 38x1.5 IG - female
Bypass	SAE 1-1/2" 3000 PSI	SAE 2" or 3" 3000 PSI	SAE 2-1/2" or 4" 3000 PSI	SAE 3" or 5" 3000 PSI	1" BSP IG - female	1" BSP IG - female
Standard Industry	7024463	7015910	7023051	7026472	7005662	7024034
Stainless Steel Industry	7028548	7020784	7028550	7028552	xxx	xxx
CE Ex-ATEX	7028547	7028549	7028551	xxx	xxx	
Special Note	Spacer comple for all pilot valves (industry) required For pilot valves (mining) no spacer required				only mechanical	
Spacer for assembly of the unloader with the pilot valve						
Standard	7016993					
Stainless Steel	7020810					
3/2 way pilot valve						
Industry Standard	24 V DC		7016250			
	230 V AC		7017455			
Industry Ex-ATEX	24 V DC		7026131			
	230 V DC		xxx			
Mining Ex-ATEX	12 V		7019030			

Pressure Limiting Valves

Kamat Accessories



Symbol	Maximum Pressure PSI (bar)	Max. Flow GPM (L/min)	Inlet Connection	Measuring Connection	Bypass	Function	Part No. with ceramic seat and cone	
							Standard	Duplex
	21,750 (1500)	105 (400)	80x50 mm	M26x1.5	ø 28	Spring loaded	7025701	7026716
	8700 (600)						7026224	7026715
	21,750 (1500)	105 (400)				pneumatic	7025300	7026719
	11,600 (800)						7026223	7026718
	4350 (300)						7026235	7026717
	Plug complete for closing the measuring connection						7026708	

Symbol	Maximum Pressure PSI (bar)	Max. Flow GPM (L/min)	Inlet Connection	Measuring Connection	Bypass	Function	Part No. with ceramic seat and cone	
							Standard	Duplex
	6092 (420)	1215 (4600)	200x100 mm	1/2" BSP	ø 125	pneumatic	703447	xxx
	plug complete for closing the measuring connection						7000595 + 1060216	

Pressure Limiting Valves



Kamat Accessories



Symbol	Maximum Pressure PSI (bar)	Max. Flow GPM (L/min)	Inlet Connection	Measuring Connection	Bypass IG Female	Function	Part No. with ceramic seat and cone	
							Standard	Duplex
	50,763 (3500)	39.6 (150)	30 x 65	M 26x1.5 IG - female	1" BSP	pneumatic	7034717*	xxx
		15.9 (60)					7035522	
	58,015 (4000)	15.9 (60)	M 26x1.5 IG - female	-----			7033983*	xxx
							7035521	
50,763 (3500)	15.9 (60)	30 x 65	M 26x1.5 IG - female	spring loaded	7034707	xxx		
Note: no pressure outlet								



Plug complete for closing the measuring connection

7026708

With Inlet Hole (*)



Symbol	Maximum Pressure PSI (bar)	Max. Flow GPM (L/min)	Inlet Connection	Discharge Connection	Bypass	Function	Part No. with steel seat and cone	
							Standard	Duplex
	8700 (600)	317 (1200)	80x90 mm	2" BSP	1-1/2" BSP	Spring loaded	7003776	7003804
	3190 (220)					pneumatic	7026200	7028077
	8700 (600)					pneumatic	7003808	7003809

Kamat Accessories



Symbol	Max. PSI (bar)	Max. GPM (L/min)	Inlet Connection	Discharge Side Outlet	Bypass	Function	Part no.
	58015 (4000)	15.8 (60)	M26 x 1.5	-----			7032831
	50763 (3500)	39.6 (150)	30 x 65 mm	M26 x 1.5			7035397
		15.8 (60)					7035480*
		7033982*					
		7035523					
	21,750 (1500)	10.6 (40)	M26 x 1.5	M26 x 1.5	-----	pneumatic	7034330
	50763 (3500)	13.2 (50)	M26 x 1.5	M26 x 1.5	-----	pneumatic	7035349
	21,750 (1500)	10.6 (40)	M26 x 1.5	M26 x 1.5	-----	electric	7011424
	36,250 (2500)	7.9 (30)	M26 x 1.5	M26 x 1.5	-----	electric	7011436
	50763 (3500)	13.2 (50)	M26 x 1.5	M26 x 1.5	-----	pneumatic	7026520
	14,500 (1000)	63.4 (240)	M30 x 1.5	M30 x 1.5	-----	pneumatic	7003250
	Plug complete for closing the measuring connection						7026708

Rotating Nozzles

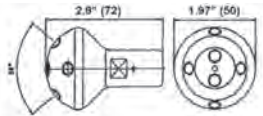
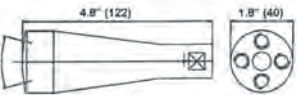
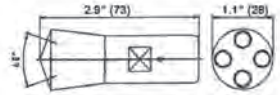
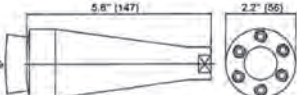
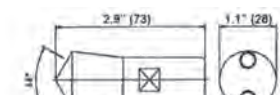
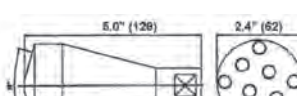
Kamat Accessories



Part Number	Flow GPM (L/min)	Pressure PSI (bar)	Length inches (mm)	Connection	Weight Complete lbs (kg)
PRD3500	13.2 (50)	50,750 (3500)	7.1 (181)	M 26 x 1.5	2.2 (1.0)



Nozzle Heads for Rotating Tools

Type	Dimensions - in (mm)	Nozzle Configuration	Application	Part No.
RLH 1		max. 6 x Type 0987 Standard configuration: 6 x 0.35 mm	Cleaning and removal in areas of difficult access	7006182 without nozzle inserts
RLH 2		max. 4 x Type 0965 Standard configuration: 4 x 0.4 mm	Surface treatment Concrete removal Roughening of concrete surfaces Removal of paint and coatings	7006381 without nozzle inserts
RLH 3		max. 4 x Type 0987 Standard configuration: 4 x 0.4 mm	Removal of difficult coatings Cleaning in areas where access is limited	7006184 without nozzle inserts
RLH 4		max. 6 x Type 0965 Standard configuration: 6 x 0.35 mm	Surface treatment Concrete removal Roughening of concrete surfaces Removal of paint and coatings	7006428 without nozzle inserts
RLH 5		max. 2 x Type 0987 Standard configuration: 2 x 0.6 mm	Removal of difficult coatings Cleaning in areas where access is limited	7006183 without nozzle inserts
RLH 6		max. 8 x Type 0965 Standard configuration: 8 x 0.3 mm	Surface treatment Concrete removal Roughening of concrete surfaces Removal of paint and coatings	7006943 without nozzle inserts
Steel protection cover for nozzle head type RLH 2				7007949
Steel protection cover for nozzle head type RLH 4				7008082

Rotating Nozzles

Kamat Accessories

PRD3500 Air Rotating Nozzle

- Pneumatic drive with air motor
(without nozzle head)



Technical Data

Part Number: 7028896

	<u>U.S.</u>	<u>Metric</u>
Max. Working Pressure:	50,750 PSI	3500 bar
Max. Flow Rate:	13.2 GPM	50 L/min
Hose Connection:		M 26x1.5 IG
Nozzle Head Connection:		M 14 x 1.5 LH male
Length:	8.5"	217 mm
Weight:	5.5 lbs.	2.5 kg
Usable Nozzle Inserts:	Nozzle Heads for Rotating Tools Literature	

Pneumatic Drive / Air motor:

Speed		0-1800 RPM
Air Required:	305 in ³ /s	5.0 l/s (filtered & oiled air)
Air Working Pressure	91.3 PSI	6.3 bar
Power:		120W

Rotating Joint

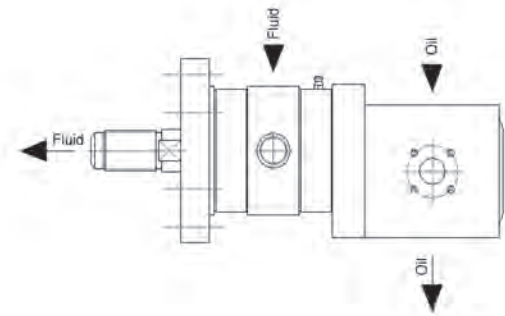
Kamat Accessories

Range of rotating joints available:

- Rotating joints up to 50,750 PSI (3500 bar)
- Rotating joints up to size DN 20
- High speed rotating joints with non-contacting seals
- Rotating joints for contaminated media, with contact seals
- Externally-driven rotating joints; hydraulic pneumatic, electric
- Hose reel rotating joints
- Custom-built rotating joints designed to specification

Technical Data

Part Number 7008787		
	U.S.	Metric
Maximum Pressure	21,750 PSI	1500 bar
Nom. Diameter (ID)	0.8"	20 mm
Connection Inlet		M 22 x 1.5 female
Connection Shaft Side		M 30 x 2
Length	7.4"	188 mm
Length with Motor	12.6"	320 mm
Weight	16.5 lbs.	7.5 kg
Speed	0-500 RPM (depending on pressure of rotating joint)	



Flow Required (based on required torque)		
0.49 in ³ /U	(8 cm ³ /U)	Part No. 7008788
0.67 in ³ /U	(11 cm ³ /U)	Part No. 7008789
0.97 in ³ /U	(16 cm ³ /U)	Part No. 7008790
1.16 in ³ /U	(19 cm ³ /U)	Part No. 7008791
1.37 in ³ /U	(22.5 cm ³ /U)	Part No. 7008792

Maximum Oil Pressure 3,335-2,230 PSI (230-160 bar) (depending on hydraulic motor)

Note

Rotating arms, nozzle holder etc. can be designed to specification

Multi-Operation 2/2 Way Control Valve

Kamat Accessories

Application: These valves are used as control valves for multi-gun operations as well as for hydroforming, testing applications, etc.
Only use with KSP 1500 or KSP 3000 electric or Dump Gun 1500 or 3000 electric

Model: Pilot controlled ball-seat valve

Function: When all valves are closed, the pressure regulating valve (master valve) directs water to bypass at near zero pressure.

Material: All parts coming in contact with fluid medium are stainless steel. Also available in seawater-resistant materials on request.

Control: Pneumatic or electric.

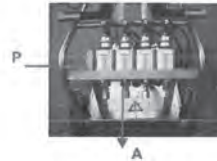
Master Control Valve (7029380): Required for operation (sold separately)



Design Example (left): Portable pneumatic control unit for up to four (4) operators. With four (4) valves, control box, cable reel and pneumatic hose reel.

Technical Data

	U.S.	Metric
Flow	10.6 GPM max.	40 L/min max.
Working Pressure	21,750 PSI max.	1500 bar max.
Flow Direction	"P" to "A" (See Diagram)	
Operation		
Electrical	24 VDC (Standard)	
Pneumatic	(Other Voltages - 220VAC, 12 VDC, explosion proof or ATEX)	
Connections	1x Inlet M 26 x 1.5 female with Discharge M 26 x 1.5 female - One per operator	



Electric Version 24 VDC

- 1x Operator Control
- 2x Operator Control
- 3x Operator Control
- 4x Operator Control

Part

- 70114
- 70114
- 70114
- 70114



Pneumatic Version

- 1x Operator Control
- 2x Operator Control
- 3x Operator Control
- 4x Operator Control

- 70107
- 70111
- 70111
- 70110



Cartridge Repair Kit for each valve

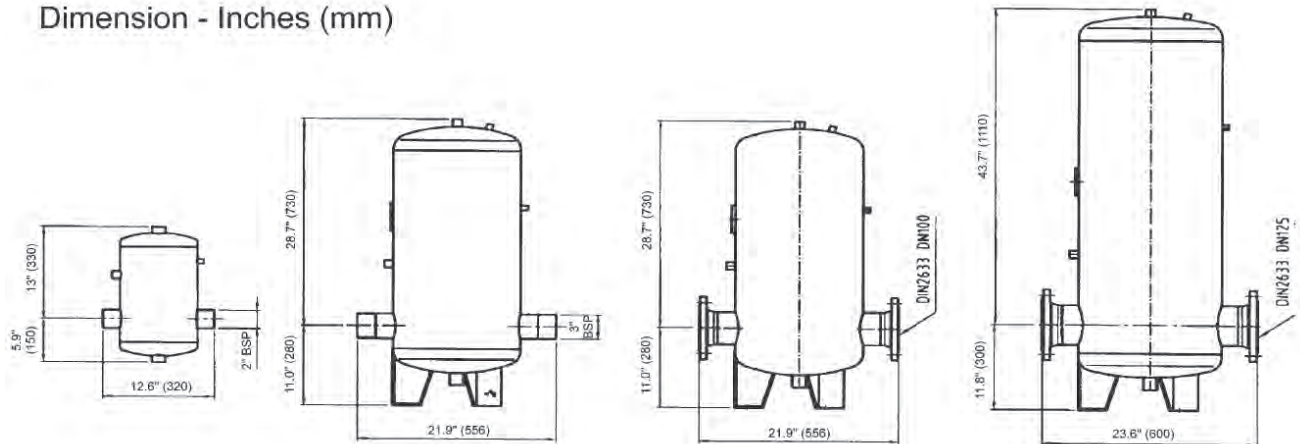
7012459

Kamat Accessories

Inlet Suction Stabilizers

Type	Flow-GPM (L/min)	Diameter	Pressure - PSI (Bar)	Temp. - F (C)	Weight - Lbs. (Kg)	Material	Suction Stabilizer Part Number	Complete Part Number
I	31.7 (120)	2"	116 (8)	176 (80)	33 (15)	Steel, zinc plated	7006487	7006620
						Stainless Steel	7009412	7009415
II	79.3 (300)	3"	116 (8)	176 (80)	179 (81)	Steel, zinc plated	1030493	1010849
						Stainless Steel	7009413	7009416
	124 (470)	DN 100				Steel, zinc plated	7010059	7010063
						Stainless Steel	7010061	7010065
III	198 (750)	DN 125	116 (8)	176 (80)	339 (154)	Steel, zinc plated	7010060	7010064
						Stainless Steel	7010062	7010066

Dimension - Inches (mm)



Safety Valves

Max. PSI (bar)	Inlet Port	Bypass Port	Function	Part Number
725 (50)	M 22 x 1.5	M 22 x 1.5	Spring Loaded	7015412
725 (50)	M 30 x 1.5	M 22 x 1.5	Spring Loaded	7019631
2900 (200)	M 30 x 1.5	M 22 x 1.5	Spring Loaded	7016461
7250 (500)	M 30 x 1.5	M 22 x 1.5	Spring Loaded	7004607
7250 (500)	M 22 x 1.5	M 22 x 1.5	Spring Loaded	7004608
14,500 (1000)	M 22 x 1.5	M 22 x 1.5	Spring Loaded	7004609
14,500 (1000)	M 30 x 1.5	M 22 x 1.5	Spring Loaded	7011430
21,750 (1500)	M 22 x 1.5	M 22 x 1.5	Spring Loaded	7004610
21,750 (1500)	M 30 x 1.5	M 22 x 1.5	Spring Loaded	7011431
58,000 (4000)	M 26 x 1.5	M 22 x 1.5	Spring Loaded	7006378



Kamat Accessories

Application

The tank cleaning nozzles are ideally suited for a wide range of applications in the chemical, petrochemical, paper and plastics industries.

Applicable as a tool for cleaning tanks, reactors, vessels, as well as pipes of various types.

Description

- Rotor arm positioned three dimensionally
- During the operation the speed and the direction of rotation can be adjusted from the outside
- During the operation the speed and direction of rotation for each axis can be controlled individually from the outside
- Straight lance pipes as nozzle arms
- Simple and easy nozzle arm extension possible



Technical Data

	U.S.	Metric
Model - TWK 200-1500		
Maximum Pressure	21,750 PSI	1500 bar
Maximum Flow Rate	52.8 GPM	200 L/min
Model - TWK 340-700		
Maximum Pressure	10,150 PSI	700 bar
Maximum Flow Rate	90 GPM	340 L/min
Common Specifications		
Minimum Man-Hole	7.9 inches	200 mm
Minimum Tube	8.7 inches	220 mm
Max. Air Consumption (prefer oiled and filtered)	33.2 ft ³ /min	0.94 m ³ /min
Maximum Air Pressure	87 PSI	6 bar
Water Connection*	M 24x1.5 DKOS male	
Air Connection*	4x 1/4" FBSP	
Number of Nozzles	2+2	
Nozzle Type	Straight Jet Insert nozzle, M10	
Weight	50.1 lbs	23 kg
Maximum Arm Length	5 ft	1.5 meters
*Upon request, other connection types are available		



Well Cleaning Nozzle

Kamat Accessories

Technical data and equipment

Part No. 1010210
 Max. Working Pressure: 7250 PSI 500 bar
 Max. Flow Rate: 52.8 GPM 200 L/min
 HP-Connection*: M 22 x 1.5 DKL
 *Other pressure connection sizes available on request
 Minimum Pipe (well) \varnothing 5.5" \varnothing 140 mm
 Maximum Quantity of Nozzles: 4
 Threaded Nozzles Form S 1/4" BSP Threaded Nozzles - Form S
 Length total: 34.3" 870 mm
 Weight: 46.3. lbs. 21.0 kg

Without set of nozzle tube (4 pc.) and distance holder (6 pc.)



Additional:

For tube \varnothing in (mm)	Set of Nozzle Tube Part No.	Set of distance holder Part No.
5.9 (150)	xxx	7028801
7.9 (200)	7028809	7028802
9.8 (250)	7028810	7028803
11.8 (300)	7028811	7028804
13.8 (350)	7028812	7028805
15.7 (400)	7028813	7028806
19.7 (500)	7028814	7028807
23.6 (600)	7029531	7029523
31.5 (800)	7029532	7029524
35.4 (900)	7029533	7029525
39.4 (1000)	7028815	7028808



High Pressure Filter

Kamat Accessories

Design

- Stainless steel housing without filter insert
- Reworkable, metal-to-metal sealing system
- Transparent spray protection
- FDA/GMP suitability



Fluids

- Water, saline and demineralized
- Non-aggressive chemical fluids
- Biotechnological suspensions
- Solutions (e.g. acetone)
- Viscosity up to 2000 mPas

German Patent 10224634 granted and Foreign Patents applied for

Max. working pressure	1500 bar	Part No. 7010825
Max. working pressure	2500 bar	Part No. 7011380

Technical Data

	U.S.	(Metric)
Maximum Flow (water)	13.2 GPM	(50 L/min)
Maximum Temperature	300 °F	(150 °C)
Maximum differential pressure	2175 PSI	(150 bar)
Total Length	8.1"	(205 mm)
Outer Diameter	5.9"	(150 mm)
Weight	32.2 lbs.	(14.6 kg)
Connection		M 26 x 1.5
(autoclave hp-fitting with pressure ring M 14 x 1.5 LH and pressure screw M 26 x 1.5)		

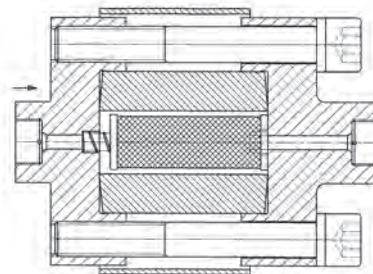
Applications

- High pressure filtration, nozzle and valve protection in process plants and on high pressure jetting installations

Filter inserts

Available, reusable, washable filter inserts in stainless steel

- 10 µm Part No. 7011321
- 25 µm Part No. 7011322
- 50 µm Part No. 7009953
- 100 µm Part No. 7009954
- 200 µm Part No. 7010298



Surface Cleaners

Kamat Accessories

Surface Cleaner 3000 Air

Mobile Surface Cleaner - Pneumatically Driven

Applications

- Cleaning of steel surfaces
- Cleaning of floors and concrete surfaces
- Removal of paints and coatings



Technical Data

	U.S.	Metric
Max. Working Pressure	43,500 PSI	3000 bar
Max. Capacity	10.6 GPM	40 L/min
Connection	M 14 x 1.5 LH left female	
Working Width	9.8"	250 mm
Weight	121.2 lbs.	55 kg
Vacuum Fitting		1-1/2" BSP
Max. Nozzle Quantity		12
Pneumatic Drive		
Speed		0 - 1000 RPM
Air Connection	Quick coupling for air hose ID 6	
Air Requirement	1.2 CFM	5.3 l/s
Air Working Pressure	91 PSI	6.3 bar

Wall Cleaner 3000 Air

Pneumatically Driven, Hand-Held Surface Cleaner

Applications

- Cleaning of steel surfaces (e.g. ship hulls and superstructures)
- Cleaning of concrete surfaces
- Removal of paints, graffiti and coatings



Technical Data

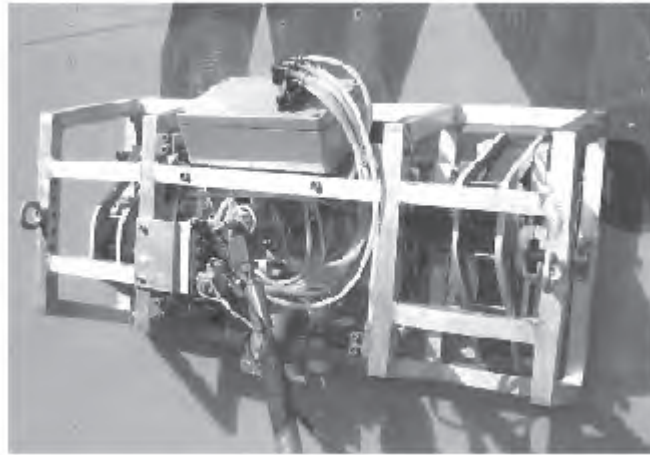
	U.S.	Metric
Max. Working Pressure	43,500 PSI	3000 bar
Max. Capacity	7.9 GPM	30 L/min
Connection	M 14 x 1.5 LH female	
Working Width	7.9"	200 mm
Weight	24.3 lbs.	11 kg
Vacuum Fitting		1-1/2" BSP
Max. Nozzle Quantity		12
Pneumatic Drive		
Speed		0 - 3000 RPM
Air Connection	Quick coupling for air hose ID 6	
Air Requirement	10.6 CFM	5.0 l/s
Air Working Pressure	91 PSI	6.3 bar

Surface Cleaners

Kamat Accessories

Surface Cleaner 3000

Mobile Surface Cleaner



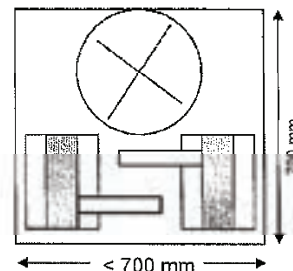
APPLICATIONS

The machine, developed specifically for a wide range of applications in the steel industry, offshore and shipyards, has proven to be an excellent choice for cleaning outer surfaces of tanks, vessels, steel structures and ship hulls.

TECHNICAL DATA

• Maximum flow	10.6 GPM (40 l/m)
• Max. operating pressure	43,500 PSI (3000 bar)
• Working width	11.8" (300mm)
• Cleaning unit width	14.2" (360mm)
• Dimensions L x W*	37" x 18.1" (940x460mm)*
• Medium to be used	Water
• Max. water temperature	122° F (50° C)
• High pressure fitting	M 14 x 1.5 LH
• Weight	143 lbs (65 kg)
• Number of nozzles	Max. 12
• Nozzle Inserts (Straight Jet)	XP Type 0965
• Air consumption required	53 CFM (25 l/sec) (Filtered & oiled air)
• Filtration	5 mm
• Min. air pressure required	87 PSI (6 bar)
• Stepless speed adjustment	0 - 14.8 ft / min.(0 - 4.5 M / min.) (depending on surface)
• Control voltage	24 VDC

*Also available, upon request, is a frame conversion kit.
Dimensions: 27.6" x 27.6" (700mm x 700mm)



Kamat Accessories

Magnet Crawler Gekko 350

Automatic Surface Cleaner, pneumatically driven

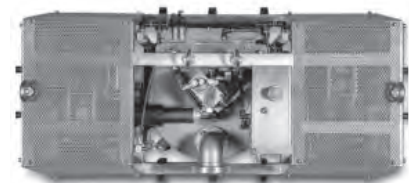
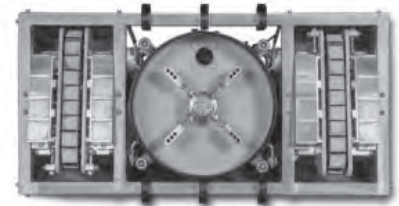
The magnetic Gekko 350 crawler is a compact remote controlled surface cleaner. The rotating cleaner is pneumatically controlled and moves with magnetic tracks ensuring firm attachment to metallic surfaces. It specializes in cleaning and decoating of storage tanks and ship hulls with a maximum operating pressure at 50,750 PSI (3500 bar) and a width of 11.8-13.8 in. (300-350 mm). Thanks to remote steering the user profits from a low-fatigue operation and optimal safety during the process. The Gekko 350 crawler can be further optimized with the addition of an optional suction system, disposing of all wastewaters and keeping pollutants contained and out of the environment.

Industries

- Steel construction
- Offshore
- Ship Industry

Technical Data

Part No.:	7018909
Max. Flow.:	10.6 GPM (40 L/min)
Max. Pressure:	43,500 PSI (3000 bar)
Cleaning width (dia):	11.8" to 13.8" (300-350 mm)
Swivel Unit Diameter:	18.1" (460 mm)
Length of unit:	37" (940 mm)
Medium used:	Water
Maximum Temperature:	122 °F (50 °C)
High Pressure Fitting:	M14 x 1.5 LH
Weight:	Approx. 143 lbs (65 kg)
Number of Nozzles:	Max. 12
Type of Nozzle Inserts:	Form 0964
Air Flow Required:	25 l/s
Filtration:	5 microns
Minimum Air Pressure Required:	87 PSI (6 bar)
Cleaning Speed:	0 to 14.8 ft/min (0-4.5 m/min)
Control Voltage (Standard):	24 VDC



The pneumatically driven rotary joint sets the jetting arms into motion. The speed of the rotation can be set to any speed without steps, all using the remote control. Same applies for the speed of movement of the crawler and the water pressure applied by it, ensuring trouble-free cleaning on uneven surfaces including difficult welds. The surfaces worked on can be oriented in all ways, overhead and vertical applications are tested and possible. In case of slipping, safety ropes can be attached for additional safety.

Optional	Part No.
Safety guard: Reel with 82 ft (25 m) of cable	7013586
External power supply - Power Pack, 230 VAC / 24 VDC with 16 ft (5 m) cable and plug	7019756
Cable reel with 164 ft. (50 m) for surface cleaner Gekko 350 to remote control console	7019719
Adapter with 164 ft. (50 m) for cable extension with two cable reels with the Gekko 350 to the remote control console	7020962

Vacuum Unit

Kamat Accessories

Compact, mobile vacuum device with filter separator and dirty-water return pump in a weather-proof, rugged design and height-adjustable frame.

FOR SUCTION OF FLUIDS AND SOLIDS

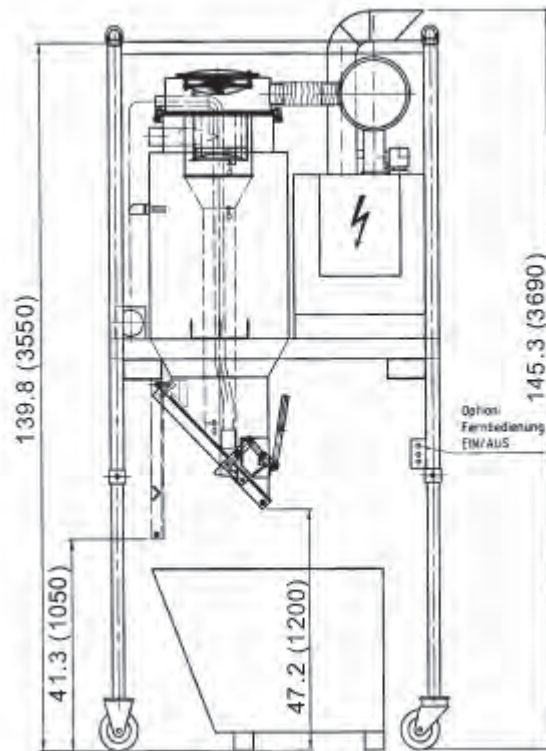
Ideally suited for use with the **XPSHC 2500 & 3000** Surface Cleaners, using hoses up to a maximum distance of 164 ft. (50 m).

Information

- Height-Adjustable supports with fixed and steering rollers, with space below for a 265 gallon (1,000 L) collection container.
- Draining via shuttle valve.
- 100 mm screen filtration for separation of fluids and solids.
- Level indicator for fluids and solids.
- Float valve for return pump - on/off
- 11 kW suction unit with side-channel vacuum pump, vacuum limiter and safety valve.
- Dirty water return pump - approx. 528 gallon/hour (2,000 L/hour) with Stortz D-coupling in outlet, non-return valve and ball valve.
- Suction fitting DN 100 MV / 60K
- Electric controls with outlet - 230V / 50 Hz / 16A
- Supply voltage 400V / 50 Hz (440V / 60 Hz Available)
- Control voltage 24V / 50Hz
- Auxillary contacts for on/off switching via remote control
- Cable reel with 164 ft. (50 m) cable and plug

Optional Equipment

Part No.	Description
7014097	Suction hose DN60 x 32ft. (9.75 m) with connector
7014098	Coupling piece DN60 for hose connection
7014099	Suction hose DN50 x 32ft. (9.75 m)



Part No.: 7014096

Kamat Accessories

Pipe Cleaning Machine TORNADO

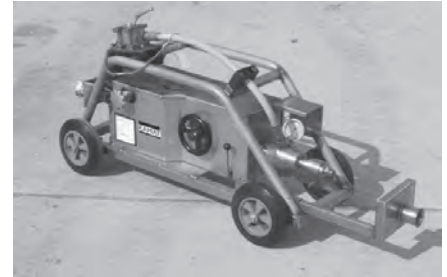
Semi-automatic pipe cleaning machine up to 16,000 PSI (1100 bar)

Applications

Application: Cleaning of fully or partially blocked pipelines in various industries
 Removing: Cement, plastics, bauxite, coke and much more from steel, plastic and concrete pipes, etc.

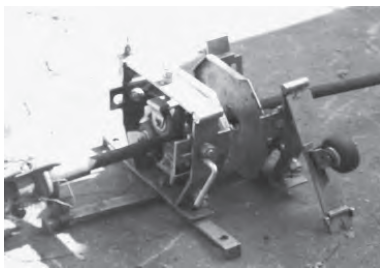
Technical Data

Length:	40" (1016 mm)
Width:	13" (330 mm)
Height:	22" (560 mm)
Weight:	143 lbs. (65 kg)
Flow:	Max. 52.8 GPM (200 L/min)
Working Pressure:	Max. 16,000 PSI (1100 bar)
Speed:	6-350 rpm
Air Pressure:	87 PSI (6 bar)
Air Consumption:	99.9 CFM (2.83 m ³ /min)
HP Input:	M 24x1.5 DKO-S
HP Output:	M 24x1.5 DKO-S
Cleaning Pipe:	Diameters 1.57" - 59" - max length 984 ft. (Diameters 40-1500 mm - max length 300m)



Part No. 7010382

Units for cleaning pipes of other sizes and lengths available upon request.

**Design**

- Robust stainless steel tubular frame; mobile with 4 plastic wheels with rubber tires
- Infinitely variable two-step gearbox and automatic friction clutch
- High pressure rotating joint DN 12
- Maintenance unit for air supply and pneumatic motor
- High Pressure ball valve for shutting-off and pressure gauge
- Tachometer

Ancillary Equipment

- Advance device PUSHER for direction changes of the hose lines
- Positioning hose guide with spray guard that fits protected hose DN 50 with quick release coupling; useable for a variety of pipes and heat exchanger sizes
- Protection hose DN 50 with quick release coupling
- HP hoses in various widths and lengths with connecting nipples and reducers
- Standard and special nozzles for various applications

Kamat Accessories

Foot Valves and Electric Foot Switch

mechanical and electrical



Technical Data - Foot Valve 1500

Part Number: 7032719
 Maximum working pressure: 21,755 PSI (1500 bar)
 Nominal diameter: DN 8
 Pressure connection: M26 x 1.5 IG
 Design: mechanical

Additional equipment

Hose connection adaptor M 22 x 1.5: 7009212
 Hose connection adaptor M 24 x 1.5: 7009213
 Initiator for remote control: 7017928

Technical Data - Dump Foot Valve 1500

Part Number: 7032733
 Maximum working pressure: 43,500 PSI (3000 bar)
 Nominal diameter: DN 6
 Pressure connection: M24 x 1.5 DKO
 Design: mechanical

Additional equipment

Initiator for remote control: 7017928

Technical Data - Dump Foot Valve 3000

Part Number: 7032732
 Maximum working pressure: 43,500 PSI (3000 bar)
 Nominal diameter: DN 6
 Pressure connection: autoclave HP-Fitting
 Pressure ring M 14 x 1.5 LH
 Pressure screw M 26 x 1.5
 Design: mechanical

Additional equipment

Initiator for remote control: 7017928

Technical Data - Foot Switch

Part Number: 7017920
 Design: electrical
 complete with 2 m cable and plug 6-pole

Technical Pages

Hose Friction Loss

Hose Friction Loss (Pressure Drop) for Typical Water Flow Rates

Flow of Water (GPM)	Diameter of Hose (inches)						
	1/4	5/6	3/8	1/2	5/8	3/4	1
	Pressure Drop (PSI) per 100 ft. of Hose at a fixed flow rate (any pressure*)						
0.5	16	5	2				
1	54	20	7	2			
2	180	60	25	6	2		
3	380	120	50	13	4	2	
4		220	90	24	7	3	
5		320	130	34	10	4	
6			220	52	16	7	1
8			300	80	25	10	2
10				120	38	14	3
15				250	80	30	7
20					121	50	12
25					200	76	19
40					410	162	42
60						370	93

Values shown are valid at all pressure levels.

*At a fixed flow rate (with a given hose size), the pressure drop across the hose length will be directly proportional. For example, a 50 foot hose will have 1/2 the pressure drop of a 100 foot hose. Pipe or metal tubing (of similar inside diameter) will exhibit a similar pressure drop.

OPTIONAL PUMP CONSTRUCTION CHART

Selected models of Giant pumps are available with optional Materials of construction for special fluid handling. These special construction pumps are identified by a 4-digit suffix following the basic pump model number. The position of the number in the four digit suffix designates the area of the pump that is specially constructed. See the chart and example below.

1st digit Manifolds	2nd digit Internal Wet End	3rd digit Packing	4th digit O-Rings
1= Aluminum Bronze	316 Stainless Steel	Viton	Viton
2= N/A	Super Corrosion Resistant Aluminum Bronze	Teflon	N/A
3= Super Corrosion Resistant	Seawater Resistant Materials Aluminum Bronze	High Temp Seals	EPDM
4= 303 Stainless Steel	S.S. Valve Retainers	Teflon/Nitrile	Kalrez
5= 316 Stainless Steel	Duplex Steel	Rope Packing	Paraflour
6= Duplex Steel	Ceramic	UHMPE	N/A
7= N/A	Hastelloy	N/A	Isolast

For example, a P56-1111= P56 pump with an aluminum bronze manifold, 316 S.S. Internal wet end, viton packing and viton o-rings.

Common Equations/Duty Cycle

<p>To find required input power:</p>	$P \text{ (HP)} = \frac{p \text{ (PSI)} \times q \text{ (GPM)}}{1457}$
<p>To find HP:</p>	$\text{(HP)} = \frac{\text{Torque (in.-lbs.)} \times \text{RPM}}{1457}$
<p>To find Pitch Diameter Motor Pulley:</p>	$\frac{\text{RPM pump} \times \text{Pitch Diameter Pump Pulley}}{\text{RPM Motor}}$
<p>To find Pitch Diameter Pump Pulley:</p>	$\frac{\text{RPM motor} \times \text{Pitch Diameter Motor Pulley}}{\text{RPM Motor}}$
<p>To Find the RPM of Motor:!</p>	$\frac{\text{RPM of pump} \times \text{Pitch Diameter Pump Pulley}}{\text{Pitch Diameter of Pump Pulley}}$
<p>To find the RPM of Pump:</p>	$\frac{\text{RPM of motor} \times \text{Pitch Diameter Motor Pulley}}{\text{Pitch Diameter of Pump Pulley}}$

Determining Duty Cycle of Pumps

- Continuous: 8 to 24 hours per day
- Light: 3 to 8 hours per day
- Intermittent: Up to 3 hours per day
- Cyclic: 30 seconds loaded out of every 3 minutes

Nozzle Rating Chart

Oriface Size															
	400 PSI	500 PSI	600 PSI	700 PSI	800 PSI	1000 PSI	1250 PSI	1500 PSI	2000 PSI	2500 PSI	3000 PSI	4000 PSI	5000 PSI	6000 PSI	7000 PSI
03.0	0.9	1.0	1.1	1.2	1.3	1.5	1.6	1.8	2.1	2.3	2.5	3.0	3.3	3.6	3.9
03.5	1.1	1.2	1.4	1.5	1.6	1.8	2.0	2.1	2.5	2.8	3.0	3.5	3.9	4.3	4.6
04.0	1.2	1.4	1.5	1.7	1.8	2.0	2.2	2.4	2.8	3.1	3.5	4.0	4.5	4.9	5.3
04.5	1.4	1.5	1.7	1.8	2.0	2.2	2.5	2.7	3.1	3.5	3.8	4.5	5.0	5.5	5.9
05.0	1.5	1.8	1.9	2.1	2.2	2.5	2.7	3.1	3.5	3.9	4.3	5.0	5.6	6.1	6.6
05.5	1.7	1.9	2.1	2.3	2.5	2.8	3.0	3.4	3.9	4.3	4.8	5.5	6.2	6.7	7.3
06.0	1.8	2.1	2.3	2.5	2.7	3.0	3.3	3.7	4.2	4.7	5.2	6.0	6.7	7.3	7.9
06.5	2.0	2.3	2.5	2.7	2.9	3.3	3.6	4.0	4.6	5.1	5.6	6.5	7.3	8.0	8.6
07.0	2.2	2.5	2.7	2.9	3.1	3.5	3.9	4.3	4.9	5.5	6.1	7.0	7.8	8.6	9.3
07.5	2.3	2.7	2.9	3.1	3.4	3.8	4.1	4.6	5.3	5.9	6.5	7.5	8.4	9.2	9.9
08.0	2.5	2.8	3.1	3.3	3.6	4.0	4.4	4.9	5.7	6.3	6.9	8.0	8.9	9.8	10.6
08.5	2.6	3.0	3.3	3.6	3.8	4.3	4.7	5.2	6.0	6.7	7.4	8.5	9.5	10.4	11.2
09.0	2.8	3.2	3.5	3.8	4.0	4.5	5.0	5.5	6.4	7.1	7.8	9.0	10.1	11.0	11.9
10.0	3.1	3.5	3.9	4.2	4.5	5.0	5.5	6.1	7.1	7.9	8.7	10.0	11.2	12.2	13.2
12.5	3.9	4.4	4.8	5.2	5.6	6.3	6.9	7.7	8.8	9.8	10.8	12.5	14.0	15.3	16.5
15.0	4.7	5.3	5.8	6.3	6.7	7.5	8.3	9.2	10.6	11.8	12.9	15.0	16.8	18.4	19.8

To Calculate Nozzle Diameter:	$d \text{ (mm)} = 4\sqrt{\frac{2.77 \times Q^2}{p \text{ (bar)}}$
To Calculate Nozzle #:	$\text{Nozzle \#} = \text{GPM} \sqrt{\frac{4000}{\text{PSI}}}$
To Calculate Reaction Force, lbs.:	$\text{Reaction Force, lbs.} = \frac{\text{GPM} \sqrt{\text{PSI}}}{18.92}$
To Calculate GPM:	$\text{GPM} = \text{nozzle \#} \sqrt{\frac{4000}{\text{PSI}}}$
To Calculate PSI:	$\text{PSI} = \left(\frac{\text{GPM}}{\text{noz \#}}\right)^2 \times 4000$

Giant Industries Limited Warranty

Giant Industries, Inc. pumps and accessories are warranted by the manufacturer to be free from defects in workmanship and material as follows:

1. For portable pressure washers and car wash applications, the discharge manifolds will never fail, period. If they ever fail, we will replace them free of charge. Our other pump parts, used in portable pressure washers and in car wash applications, are warranted for five years from the date of shipment for all pumps used in NON-SALINE, clean water applications.
2. One (1) year from the date of shipment for all other Giant industrial and consumer pumps.
3. Six (6) months from the date of shipment for all rebuilt pumps.
4. Ninety (90) days from the date of shipment for all Giant accessories.

This warranty is limited to repair or replacement of pumps and accessories of which the manufacturer's evaluation shows were defective at the time of shipment by the manufacturer. The following items are NOT covered or will void the warranty:

1. Defects caused by negligence or fault of the buyer or third party.
2. Normal wear and tear to standard wear parts.
3. Use of repair parts other than those manufactured or authorized by Giant.
4. Improper use of the product as a component part.
5. Changes or modifications made by the customer or third party.
6. The operation of pumps and or accessories exceeding the specifications set forth in the Operations Manuals provided by Giant Industries, Inc.

Liability under this warranty is on all non-wear parts and limited to the replacement or repair of those products returned freight prepaid to Giant Industries which are deemed to be defective due to workmanship or failure of material. A Returned Goods Authorization (R.G.A.) number and completed warranty evaluation form is required prior to the return to Giant Industries of all products under warranty consideration. Call (419)-531-4600 or fax (419)-531-6836 to obtain an R.G.A. number.

Repair or replacement of defective products as provided is the sole and exclusive remedy provided hereunder and the MANUFACTURER SHALL NOT BE LIABLE FOR FURTHER LOSS, DAMAGES, OR EXPENSES, INCLUDING INCIDENTAL AND CONSEQUENTIAL DAMAGES DIRECTLY OR INDIRECTLY ARISING FROM THE SALE OR USE OF THIS PRODUCT.

The limited warranty set forth herein is in lieu of all other warranties or representation, express or implied, including without limitation any warranties or merchantability or fitness for a particular purpose and all such warranties are hereby disclaimed and excluded by the manufacturer.

RETURNED GOODS POLICY

Credit for any merchandise to be returned is subject to approval from Giant Industries. Credit will be issued to the original purchaser only and will be applied directly to your account. Under no circumstances will credits be given on a cash basis. Credit will be based upon the price of the merchandise, less the given discount at the time of purchase.

TERMS:

1. Any pump, part or accessory may be returned up to 45 days from the date of shipment with no restocking charge, providing the product is in good condition and has not been used or damaged.
2. Merchandise returned between 45 days and one year, providing the total is below \$2500, will be subject to a 25% restocking charge. For larger dollar amounts, a negotiable restocking charge may be assessed.
3. We regret the fact that elastomers and obsolete parts will not be accepted for credit beyond the 45 day period (as stated in item #1).
4. Giant Industries reserves the right to amend or cancel any or all portions of this policy at any time.

Terms and Conditions

- All prices subject to change without notice. ■ Minimum invoice: \$25. ■ Payment Terms: 2% 10 Net 30 with prior credit approval.
- Late Penalty Charge- 1-1/2% monthly interest penalty will be assessed on all due accounts. ■ Method of Shipment- All orders will be shipped F.O.B. Toledo, Ohio. Orders without specific shipping instructions will be shipped by the most efficient method possible.
- Drop Shipments- Giant Industries, Inc. will not drop-ship orders as a normal course of business. Orders requiring emergency rush shipment will be drop-shipped under the following conditions:
 1. No C.O.D. shipment
 2. \$25 Net Minimum Invoice
 3. Only Accounts with established credit will be considered for emergency drop shipments.
 4. A \$10 invoice up charge will be assessed for drop shipments.

